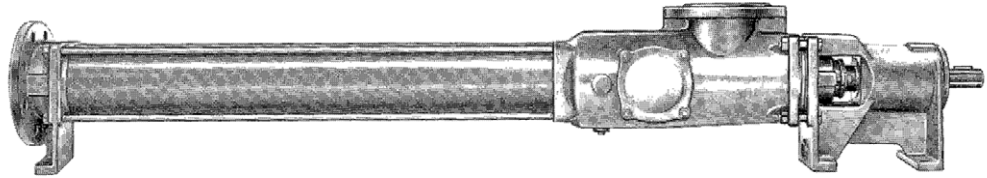


## Eccentric Screw Pumps

### Series AE1+1H, AE2H, AE2+2H, AE4H Design ID



#### Application

For handling liquid to highly viscous, neutral or aggressive, uncontaminated or abrasive liquids, liquids containing gases or which tend to froth, also containing fibres and solid matter.

In waste water and waste water treatment engineering, chemical and petrochemical industry, paper and cellulose industry, soap and fats industry, paint and lacquer industry, food and beverage industry, plastics industry, ceramics industry, agriculture, sugar industry and in shipbuilding.

#### Function

Self-priming, two or four-stage, rotary positive displacement pump. Conveying elements are the rotating eccentric screw (rotor) and the fixed stator. In the cross-sectional plane, both are in contact with one another at two points forming two sealing lines along the length of the conveying elements. The contents of the sealed chambers which are formed as the rotor turns are displaced axially and with complete continuity from the suction to the delivery end of the pump. Despite rotor rotation, there is no turbulence. The constant chamber volume excludes squeezing, thus ensuring an extremely gentle low-pulsating delivery.

#### Structural design

By external casing connecting screws (clamping screws), the pressure casing, stator and suction casing are interconnected. The suction casings are designed particularly favourable to flow. The pump sizes 50 to 2700 in cast iron design are provided with staggered holes for cleaning. The stator vulcanized into a tube or shell casing (even elastomer wall thickness) is provided with external collars vulcanized to it on both sides reliably sealing towards the suction casing and delivery casing and protecting the stator shell from corrosion.

Stators are supplied:

with uneven wall thickness:

- two+two-stage for sizes 100, 200, 380, 750, 1450, 2700
- four stage for sizes 12, 25, 50, 100, 200, 380, 750, 1450

with even wall thickness:

- single+single stage for size 2700
- two-stage for sizes 100, 200, 380, 750, 1450

The exchangeable shaft sealing housing or mechanical seal housing (subsequent conversion to another sealing variant is possible) are arranged between the suction casing and bearing bracket. The sealing housings (shaft seals) are easily accessible as the complete bearing unit can be withdrawn from the driving shaft without any further pump dismounting.

Bearing of the driving spindle is effected in the bearing bracket. The torque of the drive is transmitted over the driving shaft and the joint shaft onto the rotor. On both sides, the joint shaft ends in liquid-tight encapsulated bolt joints, which are designed particularly simple and sturdy properly taking the eccentric movement of the rotor.

#### Shaft seal

By uncooled, cooled or heated stuffing box or by uncooled or cooled maintenance-free unbalanced, single or double-acting mechanical seal.

Material pairing and design are adapted to the respective operating conditions. For further data, refer to pages 4, 5.

The stuffing box or mechanical seal housings of the various shaft sealing types are interchangeable within one size. The various mechanical seal housing parts form a modular construction system and, in case of conversion to a different mechanical seal design, can be easily combined with one another.

Installation spaces for mechanical seals according to DIN 24 960 (except for double mechanical seal).

For further data, refer to pages 4, 5, 6 and 7.

#### Technical data

Deliveries, admissible speed ranges and required drive powers are to be taken from the performance graph on page 3 and/or the separate individual characteristic curves.

			AE.H
Delivery	Q l/min	up to	2900
Temperature of fluid pumped	t °C ①	up to	150
Delivery pressure	Δp bar	up to	24
Pump outlet pressure	p <sub>d</sub> bar ④	up to	25
Attainable underpressure	p <sub>s</sub> bar ③	up to	0,95
Viscosity	η mPa·s ②	up to	270.000
Admissible solids content	% by vol. ③	up to	60

The mentioned performance data are to be considered as a product and performance abstract only. The particular operating limits can be taken from the quotation or order acknowledgement.

#### Max. admissible grain sizes and fibre lengths

Size	12	25	50	100	200	380
max. grain size mm	2	2,5	3	3,8	5	6,8
max. fibre length mm	35	42	42	48	60	79

Size	750	1450	2700
max. grain size mm	9,5	14	20
max. fibre length mm	98	130	210

Increasing solids content and increasing grain size require a reduction of the pump speed:

- ① depending upon the fluid to be pumped and the elastomers employed.
- ③ depending upon the pump size/design, speed and fluid to be pumped.
- ④ depending upon the direction of rotation, inlet pressure.

**Drive**

Driving possibilities see page 12.

Drives of any manufacturers can be employed. For the technical data and dimensions, please refer to the documents of the manufacturers.

**Direction of rotation**

Clockwise looking from the drive end is standard. Opposite direction of rotation is possible. For clockwise rotation the permissible pressure at the shaft seal and the permissible pressure of the suction casing, then discharge casing, (16 bar) must be considered.

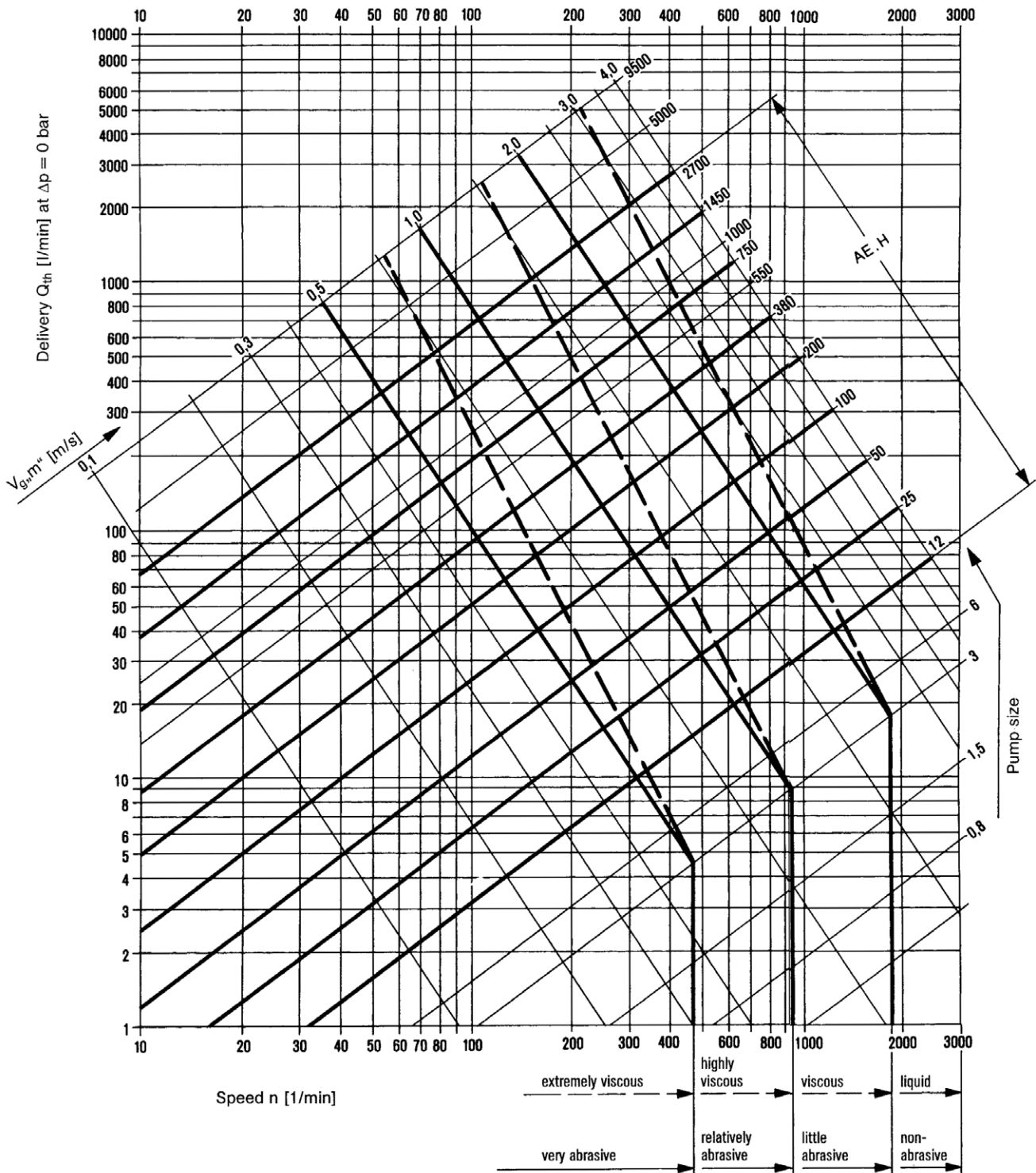
**Installation**

AE pumps may be installed horizontally or vertically. In case of vertical arrangement, "shaft shank downwards" is not admissible.

By means of a flexible coupling or a via gear (as a rule, V-belt drive), the pump and drive are connected with one another and mounted on a common base plate. For aggregate dimensions, please inquire.

**Performance graph**

For a rough selection of the pump size and speed as a function of the requested delivery and kind of fluid to be pumped.  $V_{g,m}$  = available, mean sliding speed of the rotor in the stator.



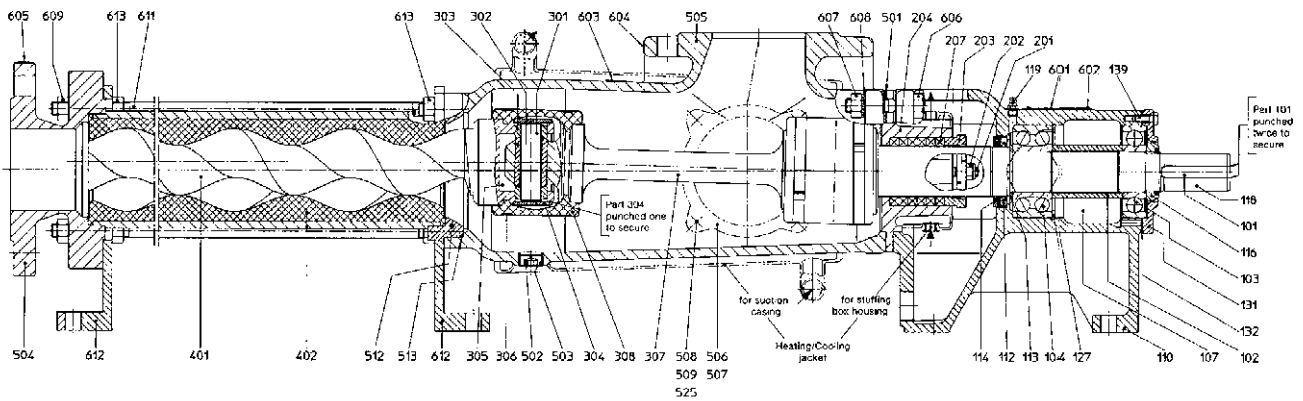
Sizes of the series AE.H. Data on the performance range not covered by AE series are to be taken from the rear side of this brochure and/or the individual brochures of the other series.  
For exact performance data, please refer to the individual characteristics.





Sectional drawing and component list

Series AE4H – design ID

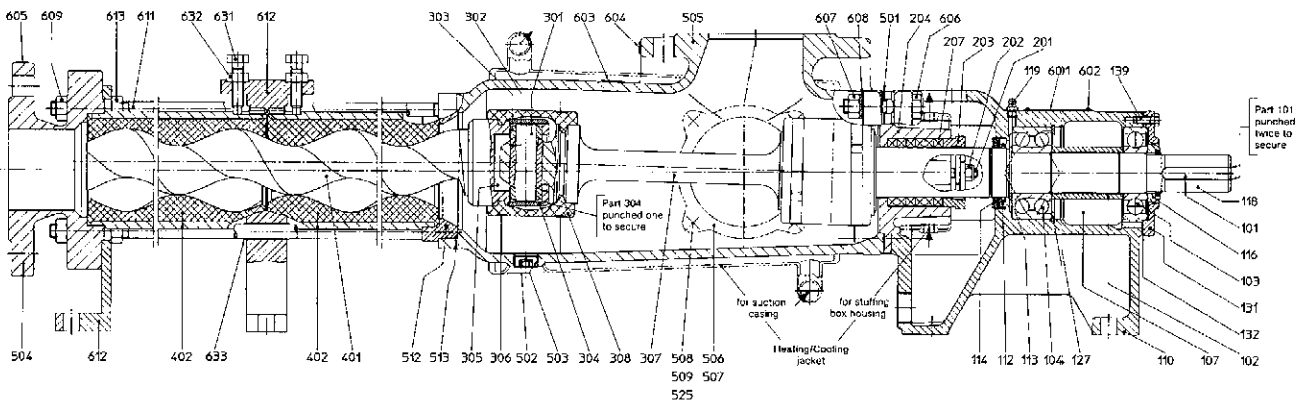


Bearing 1: Hose-proof, radial bearing drive-side with sealing washer; axial bearing pump-side with shaft seal ring.

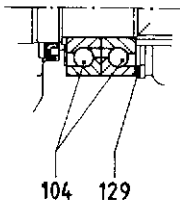
Both bearings regreasable. Only for horizontal installation.

Shaft seal P01: Due to particularly great packing length, versatile, admissible pressure at the shaft seal  $p = -0,7$  to 16 bar.

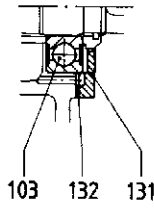
Series AE2+2H – design ID



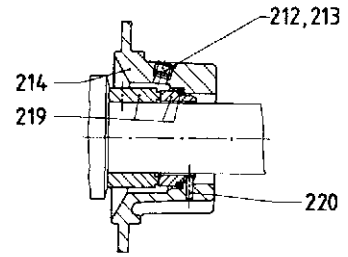
Part No.	Denomination	Part No.	Denomination	Part No.	Denomination
101	Key	213	Joint tape	504	Pressure casing
102	Spacer sleeve	214	Mechanical seal housing	505	Suction casing
103	Groove ball bearing	215	Mechanical seal cover	506	Suction casing cover
104	Angular-contact ball bearing	218	O-ring	507	Gasket
107	Bearing grease	219	Mechanical seal	508	Stud bolt
110	Bearing bracket	220	Locking pin	509	Hexagon nut
112	Shaft seal ring	232	Shaft seal ring	510	Fan-type lock washer
113	Spacer ring	234	Throttling ring	512	Reducer flange
114	Thrower	235	O-ring	513	O-ring
115	O-ring	236	Locking pin	525	Washer
116	Bearing nut	245	Hexagon screw	601	Type plate
118	Driving shaft	251	Sealing compound	602	Round head grooved pin
119	Lubricating nipple	301	Joint bolt	603	Information plate Commissioning
127	Circlip	302	Joint bush	604	Information plate Suction
129	Shim ring	303	Bush for joint bolt	605	Information plate Pressure
131	Bearing cover	304	Joint sleeve	606	Hexagon screw
132	Gasket	305	Joint oil	607	Hexagon nut
139	Hexagon screw	306	Joint clamp	608	Fan-type lock washer
201	Stud bolt	307	Joint shaft	609	Hexagon nut
202	Self-locking nut	308	Joint collar	610	Washer
203	Gland half	401	Rotor	611	Clamp bolt
204	Shaft sealing housing	402	Stator	612	Support
206	Shaft sleeve	403	Stator gasket outlet side	613	Hexagon screw
207	Stuffing box packing	404	Stator gasket suction side	631	Fixing piece
208	Flushing ring	501	Gasket for suction casing	632	Hexagon nut
209	Sealing chamber ring	502	Screw plug	633	Spacer
212	Screw plug	503	Sealing tape		



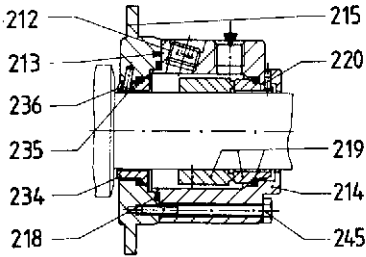
**Bearing 1 and 2:** for size 380 and above  
Axial bearing with two-single-row angular contact ball bearings.



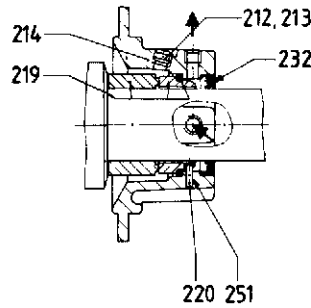
Radial bearing in case bearing 2 (only for vertical installation with shaft shank upwards)



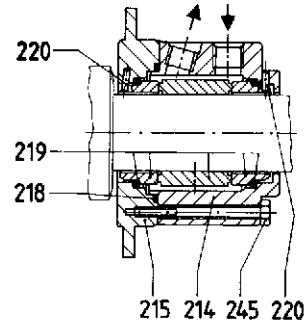
**GOK/GON** Single mechanical seal, DIN 24 960, K/N design, U shape. For employment, please inquire.  $p = -0,5$  to 16 bar



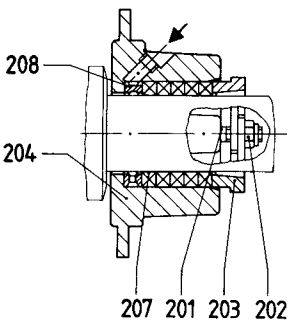
**GOS/GOT** Single mechanical seal, DIN 24 960, K/N design, U shape, rotating part with integrated locking device, with flushing liquid connection and pump-side throttling ring. For employment, please inquire,  $p = -0.5$  to 16 bar



**GOQ** Single mechanical seal, DIN 24 960, K design, U shape with quench. For employment, please inquire,  $p = -0.5$  to 16 bar

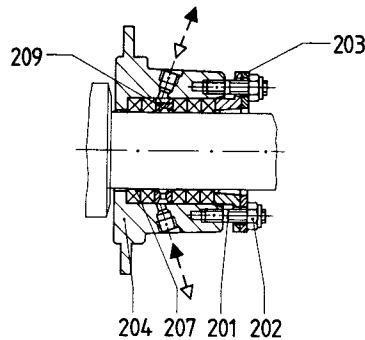


**GOD** Double mechanical seal, with sealing liquid connection. For employment, please inquire,  $p = -0.95$  to 16 bar



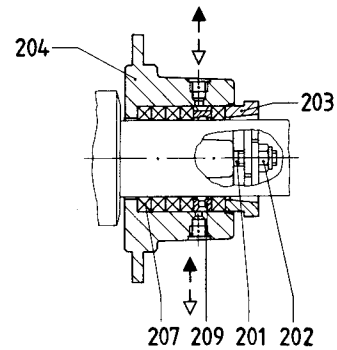
**P02** Stuffing box with flushing ring

To be employed for very abrasive fluids pumped with external flushing  
 $p = -0.7$  to 12 bar



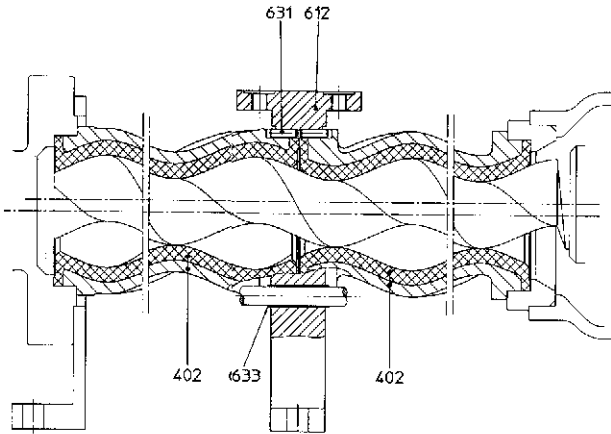
**P03** Stuffing box with internal sealing chamber ring

To be employed for pure fluids with internal sealing or for abrasive fluids with external sealing  
 $p = -0.8$  to 6.0 bar

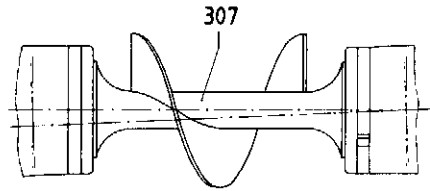


**P04** Stuffing box with internal sealing chamber ring

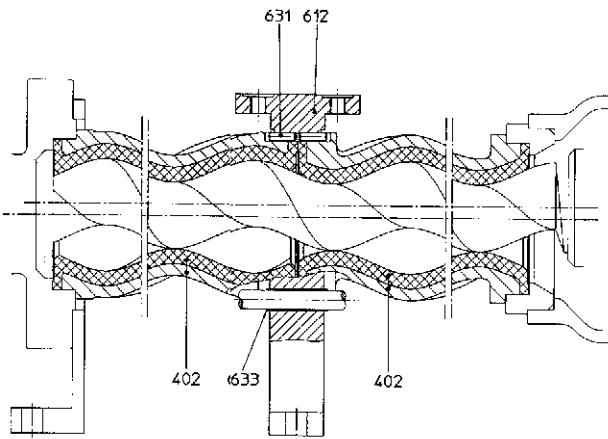
To be employed in case of incompatibility of the external sealing liquid with the fluid pumped or if air inlet is to be avoided  
 $p = -0.9$  to 12 bar



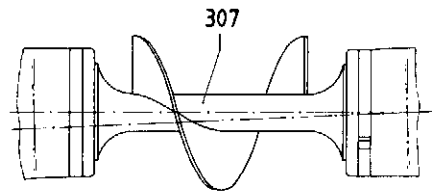
Stator with uniform rubber wall thickness  
Series AE2H



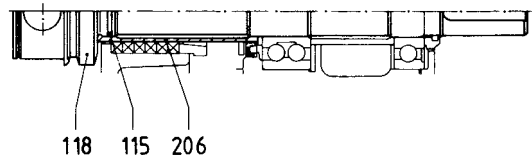
Winding protection on joint shaft



Stator with uniform rubber wall thickness  
Series AE1+1H



Worm on joint shaft



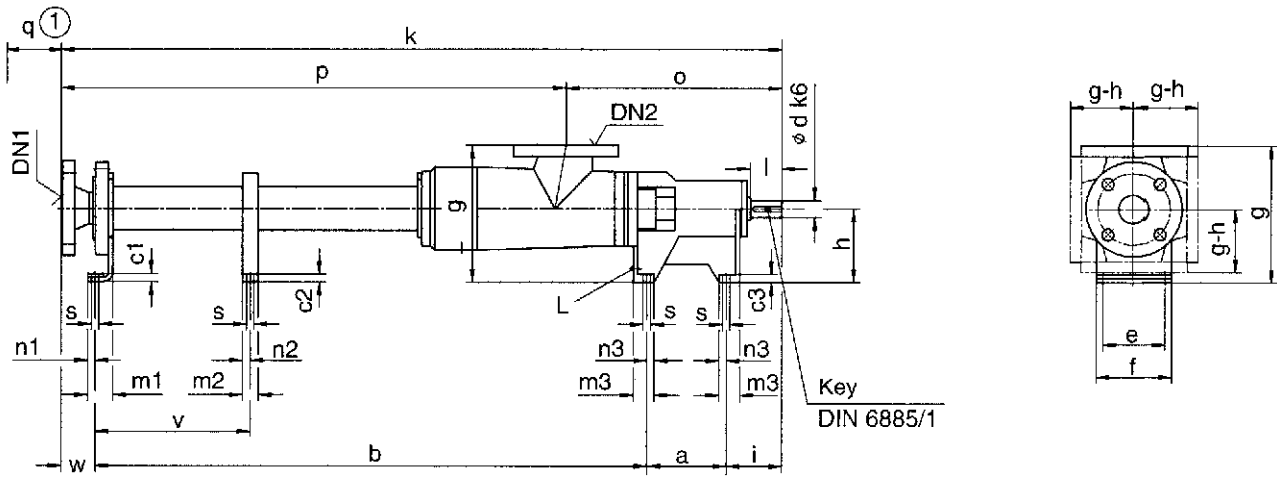
Shaft with sleeve from size 25  
and above all gasket design possible



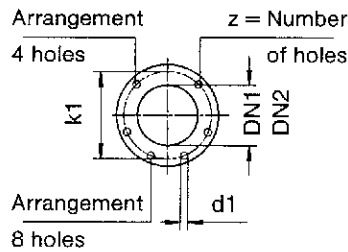
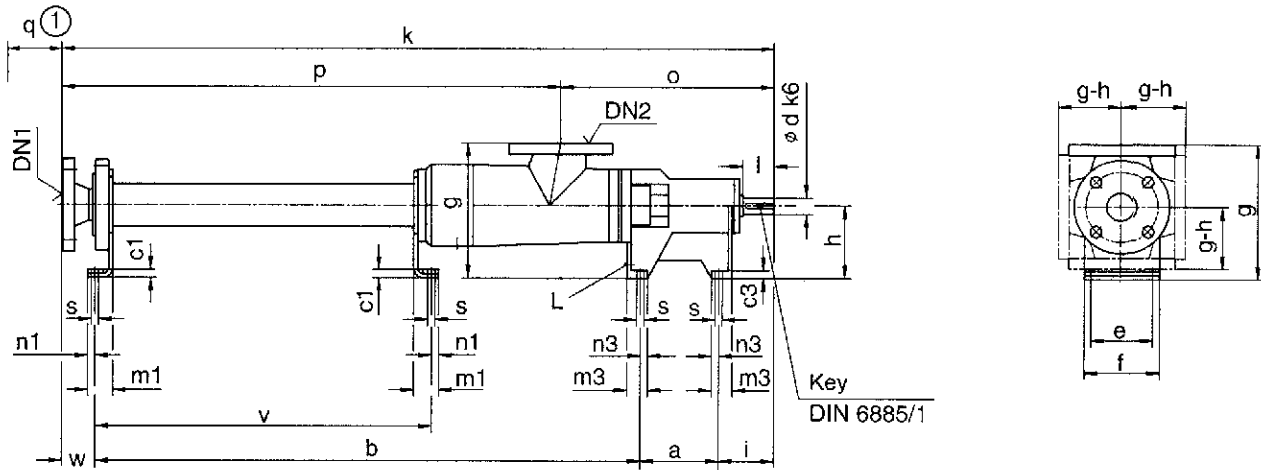
# Series AE1+1H, AE2H, AE2+2H, AE4H Design ID



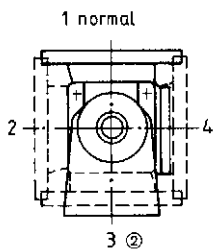
Pump dimensions, auxiliary connections, possible branch positions, weights  
Series AE1+1H, AE2+2H – design ID



## Series AE2H, AE4H – design ID



Possible branch positions  
as seen from the drive



② for size AE4H 12 not possible

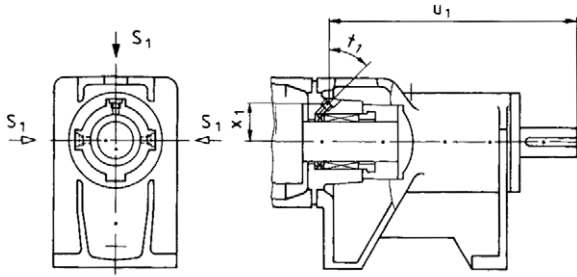
Dimensions in mm, nominal widths  
of ANSI flanges (DN) in inch.  
Subject to alterations.

Series Size	Pump dimensions																				max. mass kg		
	a	b	c <sub>1</sub>	c <sub>2</sub>	c <sub>3</sub>	d	e	f	h	i	l	m <sub>1</sub>	m <sub>2</sub>	m <sub>3</sub>	n <sub>1</sub>	n <sub>2</sub>	n <sub>3</sub>	o	q <sup>⊙</sup>	s		L	v
AE4H 12-ID	114	668	8	-	10	18	75	95	90	65	30	42	-	30	11	-	11	273	360	9	Rp 3/8	-	20
AE4H 25-ID	122	814	8	-	10	22	85	105	100	79	40	42	-	30	11	-	11	309	465	9	Rp 3/8	-	30
AE4H 50-ID	140	1032	13	-	13	28	100	125	125	95	50	48	-	38	13	-	13	371	605	11,5	Rp 3/8	-	52
AE2H 100-ID	151	859	16	-	15	32	114	140	140	106	60	48	-	40	14	-	14	411	360	14	Rp 3/4	-	62
AE2+2H 100-ID	151	1277	16	15	15	32	114	140	140	106	60	48	35	40	14	17,5	14	411	360	14	Rp 3/4	431	86
AE4H 100-ID	151	1259	16	-	15	32	114	140	140	106	60	48	-	40	14	-	14	411	760	14	Rp 3/4	856	80
AE2H 200-ID	171	1047,5	16	-	16	42	132	168	160	118	65	50	-	50	19	-	19	479,5	465	18	Rp 3/4	-	93
AE2+2H 200-ID	171	1573,5	16	16	16	42	132	168	160	118	65	50	40	50	19	20	19	479,5	470	18	Rp 3/4	535	133
AE4H 200-ID	171	1551,5	16	-	16	42	132	168	160	118	65	50	-	50	19	-	19	479,5	950	18	Rp 3/4	1058	123
AE2H 380-ID	190	1268,5	16	-	16	48	164	200	180	129,5	75	50	-	50	19	-	19	532	560	18	Rp 3/4	-	155
AE2+2H 380-ID	190	1906,5	16	16	16	48	164	200	180	129,5	75	50	45	50	19	22,5	19	532	570	18	Rp 3/4	644,5	226
AE4H 380-ID	190	1906,5	16	-	16	48	164	200	180	129,5	75	50	-	50	19	-	19	532	1210	18	Rp 3/4	1303	210
AE2H 750-ID	220	1618	20	-	21	60	200	245	225	158	90	70	-	63	23	-	23	644	750	22	Rp 1	-	300
AE2+2H 750-ID	220	2448	20	21	21	60	200	245	225	158	90	70	45	63	23	22,5	23	644	980	22	Rp 1	850,5	414
AE4H 750-ID	220	2448	20	-	21	60	200	245	225	158	90	70	-	63	23	-	23	644	1600	22	Rp 1	1721	390
AE2H 1450-ID	266	2030	20	-	24	75	245	290	250	182	110	70	-	65	23	-	23	769	950	22	Rp 1	1103	498
AE2+2H 1450-ID	266	3076	20	24	24	75	245	290	250	182	110	70	50	65	23	25	23	769	950	22	Rp 1	1065	690
AE4H 1450-ID	266	3076	20	-	24	75	245	290	250	182	110	70	-	65	23	-	23	769	1990	22	Rp 1	2149	655
AE1+1H 2700-ID	320	2508	28	29	29	95	290	350	280	215	130	80	55	80	30	27,5	30	922	980	27	Rp 1	677	780
AE2+2H 2700-ID	320	3824	28	29	29	95	290	350	280	215	130	80	55	80	30	27,5	30	922	1220	27	Rp 1	1335	1030

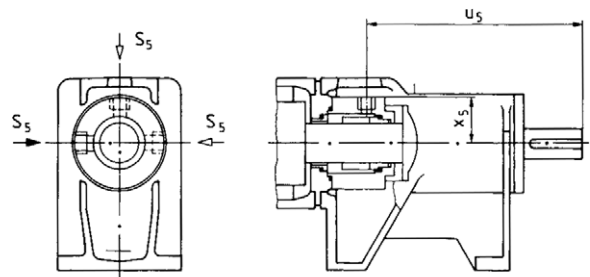
Series Size	Companion dimensions for outlet branch														
	Flanges DIN 2501, PN 25 <sup>⊙</sup>								Flanges ANSI B16.5 RF, Class 300 <sup>⊙</sup>						
	DN <sub>1</sub>	d <sub>1</sub>	k <sup>⊙</sup>	k <sub>1</sub>	p <sup>⊙</sup>	w <sup>⊙</sup>	z	DN <sub>1</sub>	d <sub>1</sub>	k <sup>⊙</sup>	k <sub>1</sub>	p <sup>⊙</sup>	w <sup>⊙</sup>	z	
AE4H 12-ID	32	18	886	100	613	39	4	1 1/4	19	908	98,4	635	61	4	
AE4H 25-ID	40	18	1062	110	753	47	4	1 1/2	22,2	1084	114,3	775	69	4	
AE4H 50-ID	50	18	1315	125	944	48	4	2	19	1336,5	127	965,5	69,5	8	
AE2H 100-ID	65	18	1171	145	760	55	8	2 1/2	22,2	1195,2	149,5	784,2	79,2	8	
AE2+2H 100-ID	65	18	1589	145	1178	55	8	2 1/2	22,2	1613,2	149,2	1202,2	79,2	8	
AE4H 100-ID	65	18	1571	145	1160	55	8	2 1/2	22,2	1595,2	149,2	1184,2	79,2	8	
AE2H 200-ID	80	18	1398,5	160	919	62	8	3	22,2	1418,5	168,3	939	82	8	
AE2+2H 200-ID	80	18	1924,5	160	1445	62	8	3	22,2	1944,5	168,3	1465	82	8	
AE4H 200-ID	80	18	1902,5	160	1423	62	8	3	22,2	1922,5	168,3	1443	82	8	
AE2H 380-ID	100	22	1662	190	1130	74	8	4	22,2	1681	200	1149	93	8	
AE2+2H 380-ID	100	22	2300	190	1768	74	8	4	22,2	2319	200	1787	93	8	
AE4H 380-ID	100	22	2300	190	1768	74	8	4	22,2	2319	200	1787	93	8	
AE2H 750-ID	125	26	2069	220	1425	73	8	5	22,2	2099,5	234,9	1455,5	103,5	8	
AE2+2H 750-ID	125	26	2899	220	2255	73	8	5	22,2	2929,5	234,9	2285,5	103,5	8	
AE4H 750-ID	125	26	2899	220	2255	73	8	5	22,2	2929,5	234,9	2285,5	103,5	8	
AE2H 1450-ID	150	26	2555	250	1786	77	8	6	22,2	2577	269,9	1808	99	12	
AE2+2H 1450-ID	150	26	3601	250	2832	77	8	6	22,2	3623	269,9	2854	99	12	
AE4H 1450-ID	150	26	3601	250	2832	77	8	6	22,2	3623	269,9	2854	99	12	
AE1+1H 2700-ID	200	26	3129	310	2207	86	12	8	25,4	3160	330,2	2238	117	12	
AE2+2H 2700-ID	200	26	4445	310	3523	86	12	8	25,4	4476	330,2	3554	117	12	

Series Size	Companion dimensions for suction branch														
	Flanges DIN 2501, PN 16 <sup>⊙</sup>					Flanges ANSI B16.1, Class 125 <sup>⊙</sup>					Flanges ANSI B16.5 RF, Class 150 <sup>⊙</sup>				
	DN <sub>2</sub>	d <sub>1</sub>	g <sup>⊙</sup>	k <sub>1</sub>	z	DN <sub>2</sub>	d <sub>1</sub>	g <sup>⊙</sup>	k <sub>1</sub>	z	DN <sub>2</sub>	d <sub>1</sub>	g <sup>⊙</sup>	k <sub>1</sub>	z
AE4H 12-ID	40	18	175	110	4	1 1/2	15,9	172	98,4	4	1 1/2	15,9	175	98,4	4
AE4H 25-ID	50	18	190	125	4	2	19	186	120,6	4	2	19	190	120,6	4
AE4H 50-ID	65	18	230	145	4	2 1/2	19	229	139,7	4	2 1/2	19	234	139,7	4
AE2H 100-ID	80	18	260	160	8	3	19	258	152,4	4	3	19	263	152,4	4
AE2+2H 100-ID	80	18	260	160	8	3	19	258	152,4	4	3	19	263	152,4	4
AE4H 100-ID	80	18	260	160	8	3	19	258	152,4	4	3	19	263	152,4	4
AE2H 200-ID	100	18	300	180	8	4	19	302	190,5	8	4	19	302	190,5	8
AE2+2H 200-ID	100	18	300	180	8	4	19	302	190,5	8	4	19	302	190,5	8
AE4H 200-ID	100	18	300	180	8	4	19	302	190,5	8	4	19	302	190,5	8
AE2H 380-ID	125	18	350	210	8	5	22,2	350	215,9	8	5	22,2	350	215,9	8
AE2+2H 380-ID	125	18	350	210	8	5	22,2	350	215,9	8	5	22,2	350	215,9	8
AE4H 380-ID	125	18	350	210	8	5	22,2	350	215,9	8	5	22,2	350	215,9	8
AE2H 750-ID	150	22	425	240	8	6	22,2	425	241,3	8	6	22,2	425	241,3	8
AE2+2H 750-ID	150	22	425	240	8	6	22,2	425	241,3	8	6	22,2	425	241,3	8
AE4H 750-ID	150	22	425	240	8	6	22,2	425	241,3	8	6	22,2	425	241,3	8
AE2H 1450-ID	200	22	485	295	12	8	22,2	485	298,4	8	8	22,2	485	298,4	8
AE2+2H 1450-ID	200	22	485	295	12	8	22,2	485	298,4	8	8	22,2	485	298,4	8
AE4H 1450-ID	200	22	485	295	12	8	22,2	485	298,4	8	8	22,2	485	298,4	8
AE1+1H 2700-ID	250	26	550	355	12	10	25,4	550	361,9	12	10	25,4	550	361,9	12
AE2+2H 2700-ID	250	26	550	355	12	10	25,4	550	361,9	12	10	25,4	550	361,9	12

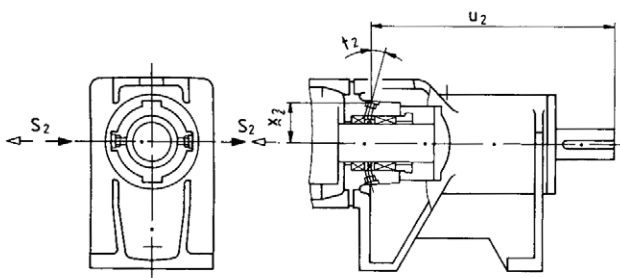
Arrangement of auxiliary connections for shaft seals



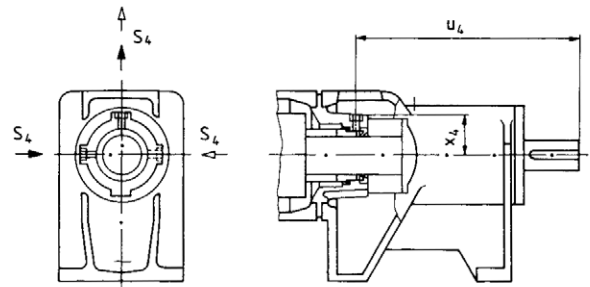
P02, P12 with flushing ring



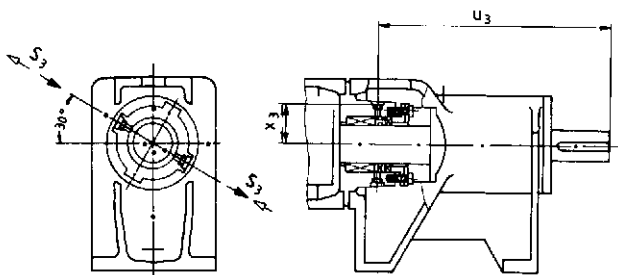
G0S/G0T, G1S/G1T with flushing connection



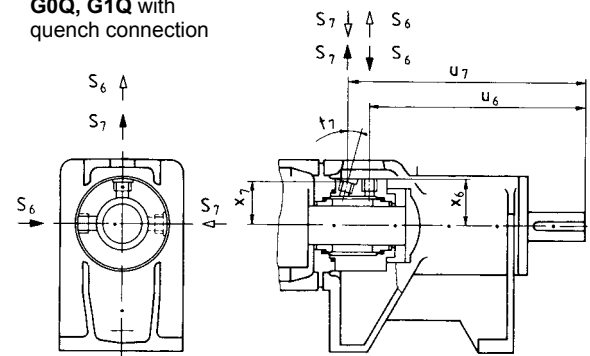
P03, P13 with internal sealing chamber ring



G0Q, G1Q with quench connection



P04, P14 with external sealing chamber ring



G0D, G1D with sealing connection

- ① Stator dismantling dimensions
- ② Sealing surface DIN 2526 shape C
- ③ Sealing surface: stock finish
- ④ for rubber-coating + 3 mm
- ⑤ up to DN 100 sealing surface DIN 2526 shape C, machined as shape A
- ⑥ from DN 125 sealing surface DIN 2526 shape A

Series Size	Companion dimensions auxiliary connections for shaft seals										
	P02, P12 with flushing ring				P03, P13 with internal sealing chamber ring				P04, P14 with external sealing chamber ring		
	S <sub>1</sub> ⊙	u <sub>1</sub>	x <sub>1</sub>	t <sub>1</sub>	S <sub>2</sub> ⊙	u <sub>2</sub>	x <sub>2</sub>	t <sub>2</sub>	S <sub>3</sub> ⊙	u <sub>3</sub>	X <sub>3</sub>
AE.H 12-ID	M 8 x1	195,5	28	42°	M 8 x1	188	30	20°	M 8 x1	180,5	30,5
AE.H 25-ID	M 8 x1	217	31,5	40°	M 8 x1	211	32	20°	M 8 x1	202,5	33,5
AE.H 50-ID	Rp ½	255	38	42°	Rp ½	248	40	17°	Rp ½	236	39,5
AE.H 100-ID	Rp ½	279	42	42°	Rp ½	272	44	17°	Rp ½	261	43,5
AE.H 200-ID	Rp ½	316	52	42°	Rp ½	307	54	17°	Rp ½	292,5	54,5
AE.H 380-ID	Rp ½	349	56	35°	Rp ½	338,5	57	13°	Rp ½	322,5	58
AE.H 750-ID	Rp ¼	416	67	35°	Rp ¼	403	68,5	13°	Rp ¼	383	69,5
AE.H 1450-ID	Rp ¼	492	77	35°	Rp ¼	474,5	79	13°	Rp ¼	451	80
AE.H 2700-ID	Rp ¼	588	94,5	35°	Rp ¼	568,5	97	13°	Rp ¼	542	97

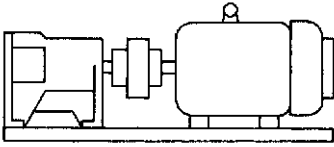
Series Size	Companion dimensions auxiliary connections for shaft seals												
	G0S/G0T, G1S/G1T with flushing connection			G0Q, G1Q with quench connection			G0D, G1D with sealing connection						
	S <sub>5</sub> ⊙	u <sub>5</sub>	x <sub>5</sub>	S <sub>4</sub> ⊙	u <sub>4</sub>	x <sub>4</sub>	S <sub>6</sub> ⊙	S <sub>7</sub> ⊙	u <sub>6</sub>	u <sub>7</sub>	x <sub>6</sub>	x <sub>7</sub>	t <sub>7</sub>
AE.H 12-ID	Rp ¼	157	34	Rp ½	167	30,5	Rp ¼	Rp ¼	157	182,5	34	33	15°
AE.H 25-ID	Rp ¼	179	38	Rp ½	187,5	30,5	Rp ¼	Rp ¼	179	204,5	38	36,5	15°
AE.H 50-ID	Rp ¼	220,5	41,5	Rp ½	230	33,5	Rp ¼	Rp ¼	220,5	245,5	41,5	40	15°
AE.H 100-ID	Rp ⅜	241	48,5	Rp ½	255	41	Rp ⅜	Rp ⅜	241	266	48,5	47	15°
AE.H 200-ID	Rp ⅜	280	56	Rp ½	287	54	Rp ⅜	Rp ⅜	280	305,5	56	53,5	20°
AE.H 380-ID	Rp ⅜	297	61	Rp ½	315,5	57,5	Rp ⅜	Rp ⅜	297	337,5	61	58,5	20°
AE.H 750-ID	Rp ⅜	364	71,5	Rp ¼	375,5	68,5	Rp ⅜	Rp ⅜	364	406	71,5	69	22°
AE.H 1450-ID	Rp ⅜	440,5	81	Rp ⅜	446	79	Rp ⅜	Rp ⅜	440,5	479,5	81	78,5	20°
AE.H 2700-ID	Rp ⅜	527	98	Rp ⅜	542	96	Rp ⅜	Rp ⅜	527	576	98	95,5	25°

⊙ Screw hole DIN 3852, shape Z

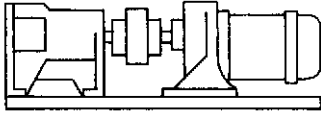
► Standard supply

▷ Possible supply, for these purposes, the sealing housing must be turned in case of designs P02/P12, G0S/G1S, G0T/G1T, G0Q/G1Q, G0D/G1D.

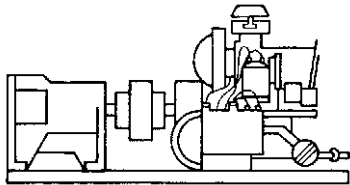
**Driving possibilities**



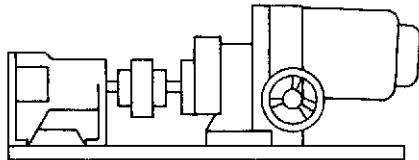
1 AE-ID with flexible coupling and motor



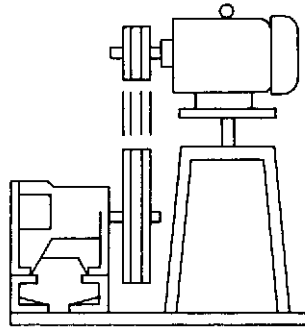
2 AE-ID with flexible coupling and geared motor



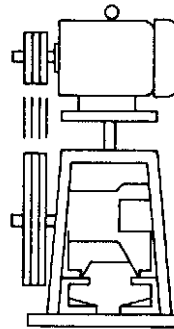
3 AE-ID with flexible coupling and combustion engine



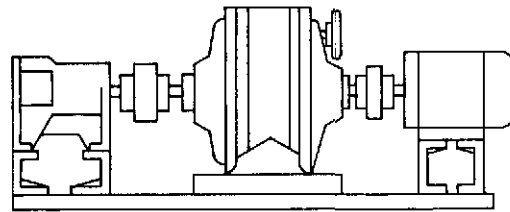
6 AE-ID with flexible coupling and infinitely variable gear



4 AE-ID with V-belt drive, rocker and motor arranged behind the pump



5 AE-ID with V-belt drive, rocker and motor arranged above the pump



7 AE-ID with flexible coupling, gear or variable speed gear, flexible coupling and motor

Further driving variants (e.g. hydraulic or pneumatic drives) are possible.





Range of eccentric screw pumps	Series	Number of stages	Maximum output at $\Delta p = 0$ bar		Maximum del. pressure bar	Maximum viscosity mPa·s
			m <sup>3</sup> /h	l/min		
	AE.E-ID	1,2	450	7500	10	300.000
	AE.N-ID	1,2	290	4850	16	270.000
	AE.H-ID	2,4	174	2900	24	270.000
	AEB.E-IE	1,2	174	2900	6	300.000
	AEB.N-IE	1,2	111	1850	12	270.000
	AEB4H-IE	4	12	200	24	270.000
	AED.E-ID	1	720	12000	8	250.000
	AED.N-ID	2	450	7500	16	225.000
	AEDB.E-IE	1	258	4300	6	250.000
	AEDB.N-IE	2	174	2900	12	225.000
	AE.N...-RG	1,2,4	30	500	20	1.000.000
	TECFLOW	1	186	3100	4	200.000
	SEZP	1,2	21	350	10	1.000.000
	SNZP	1,2	45	750	12	1.000.000
	SNZBP	1,2	45	750	12	1.000.000
	SSP	1,2	48	800	12	150.000
	SSBP	1,2	48	800	12	150.000
	SETP <sup>⓪</sup>	1,2	140	2350	10	300.000
	SETBP	1,2	40	670	10	150.000
	SEFBP	1	40	670	6	150.000
	SMP	1	40	670	6	150.000
	SMP2	1	5,5	92	6	11.500
	AFP	1	2,8	47	6	50.000
	ANP	2	2,5	42	12	20.000
	ANBP	2	2,5	42	12	20.000
	ASP	2	2,5	42	12	20.000
	ASBP	2	2,5	42	12	20.000
	ADP	3	0,6	10	12	20.000
	ADBP	3	0,6	10	12	20.000
	ACNP	1,2	29	480	12	150.000
	ACNBP	1,2	29	480	12	150.000

<sup>⓪</sup> Special versions for higher pressures available.

Peristaltic range	Series	Maximum output		Maximum del. Pressure bar	Maximum viscosity mPa·s
		m <sup>3</sup> /h	l/min		
	ASL	2,4	40	4	100.000
	ASH	60	1000	15	100.000

Macerator range	Series	Maximum throughput m <sup>3</sup> /h	Generated delivery head m
	ABM ... S-1	80 at 3 % solids	3
	AM ... I-1	160 at 3 % solids	-
	ABM ... I-1	80 at 3 % solids	-

**Accessories**

Pump accessories: Stator setting devices, electrical heaters, bridge breakers.  
Drivers: Electric motors, geared motors, variable speed transmissions, reduction gearboxes, internal combustion engines, pneumatic and hydraulic drives.  
Transmission components: Couplings, V-belt transmissions, toothed belt transmissions, other types of transmission.  
Base plates: Standard and special versions, wheeled trolleys, mounting flanges.  
Safety arrangements: Bypass lines with safety or regulating valves, systems to guard against dry running (conductive, capacitive, thermal etc.).  
Other accessories: Electrical, hydraulic and pneumatic control arrangements, filter systems, metering equipment, seal liquid and circulating systems for shaft seals, valves, flanges, flexible pipes.

Subject to technical alterations



A COLFAX Business Unit

**ALLWEILER AG**  
 Postfach 200123 · 46223 Bottrop  
 Kirchhellener Ring 77-79 · 46244 Bottrop  
 Germany

Tel. +49 (0)2045 966-60  
 Fax. + 49 (0)2045 966-679  
 E-Mail: service-ge@allweiler.de  
 Internet: www.allweiler.com

VM 852 GB / 03.04 – Ident No. 796 204