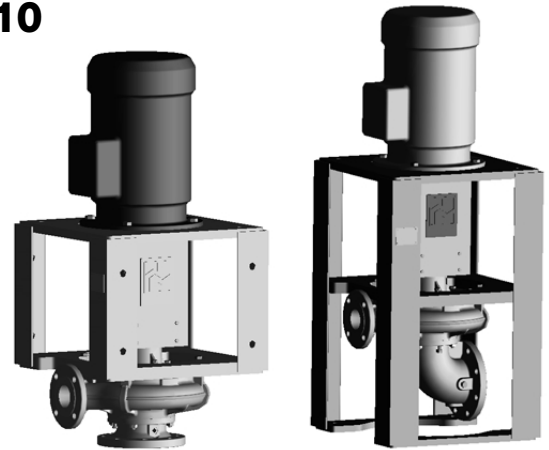


Vertical Marine Centrifugal Pumps PN 10 (individual sizes up to PN 25) for plinth or wall mounting

ALLMARINE

Series MI with radial inlet

Series MA with axial inlet



Series MA-W

Series MI-S

Application

For handling fresh water, sea water, condensate, oils.

Main areas of application

In marine engineering: as a general service and fire extinguisher pump; as a bilge, ballast and cooling water pump; and as a sea water pump.

In industry: for general water supply and in cooling and recirculation circuits.

Structural design

Single-stage, single-flow volute-casing centrifugal pump in short, compact design. Volute casing can be supplied optionally with axial or radial intake branch. Suction branch rotatable through 90°. In the shipbuilding and industry the delivery rate and hydraulics are closely attuned to the needs.

The pump casing and bearing unit are joined to the drive motor via a lantern. Feet on the bottom flange of the lantern permit vertical plinth mounting. Side drill holes permit wall mounting. Through the use of an disassemble intermediate shaft the bearing unit an sealing unit, including impeller, can be dismantled without removing the volute casing, the pipes or the drive motor.

As the pump and drive motor are precisely centered in the lantern, no alignment is required.

Branch postions / flanges

MI: Intake branch: as seen from the drive side at 180° to the delivery branch (standard). The intake branch can be arranged 90° to the right and 90° to the left.

MA: Suction branch: axial

Nominal width: Intake branch 125 to 300 mm
Delivery branch 65 to 250 mm
to DIN EN 1092-2

Shaft sealing

By uncooled, unbalanced, maintenance-free mechanical seal.

Material execution (standard U3.19D))

Sliding ring	carbon, antimony-impregnated
Counter-ring	aluminium oxide
Bellows	HNBR
O-ring	HNBR

Variation of mechanical seals (surcharge U3.18D))

Sliding ring	Silicon carbide
Counter-ring	Silicon carbide
Bellows	HNBR
O-ring	HNBR

Bearing / Lubrication

Pump side:	Lifetime greased groove ball bearing to DIN 625 in casing cover.
Drive side:	By bearing of drive motor.

Performance data

Q	up to 2400 m ³ /h
H	up to 50 m (individual sizes up to 140 m)
t	up to 40 °C (sea water) up to 100 °C (fresh washer)
p _d	up to 10 bar (individual sizes up to 25 bar)

The limits quoted are maximums. Figures may be lower depending on specified technical execution.

Inlet pressure plus maximum delivery head must not exceed permissible pump internal pressure.

The mentioned performance data are to be considered as a product and performance abstract only. The particular operating limits can be taken from the quotation or order acknowledgement.

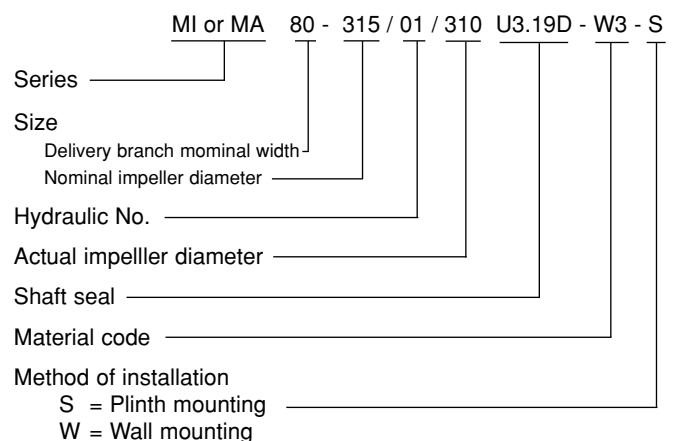
Contact protection

The requirements of DIN 31 001 "Contact protection", are met.

Drive

By three-phase motors, surface-cooled design V1.

Abbreviation



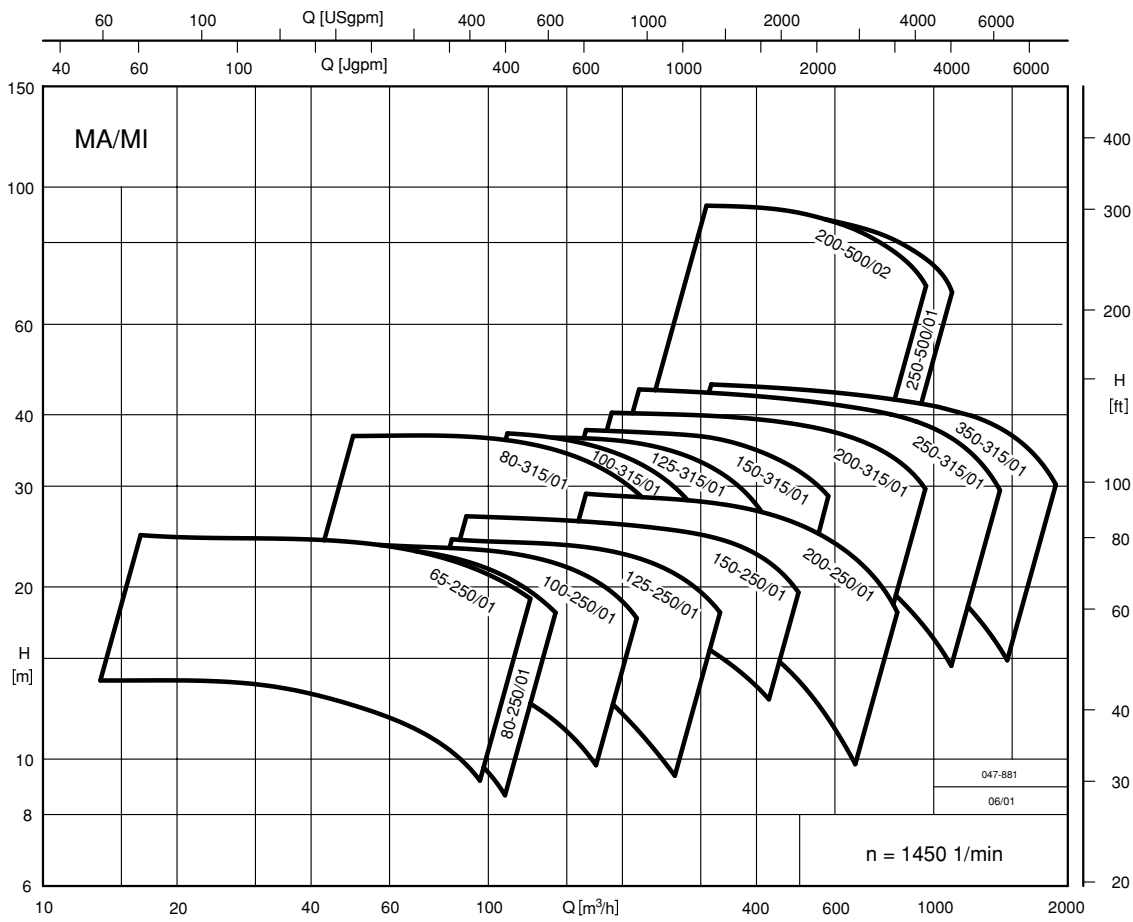
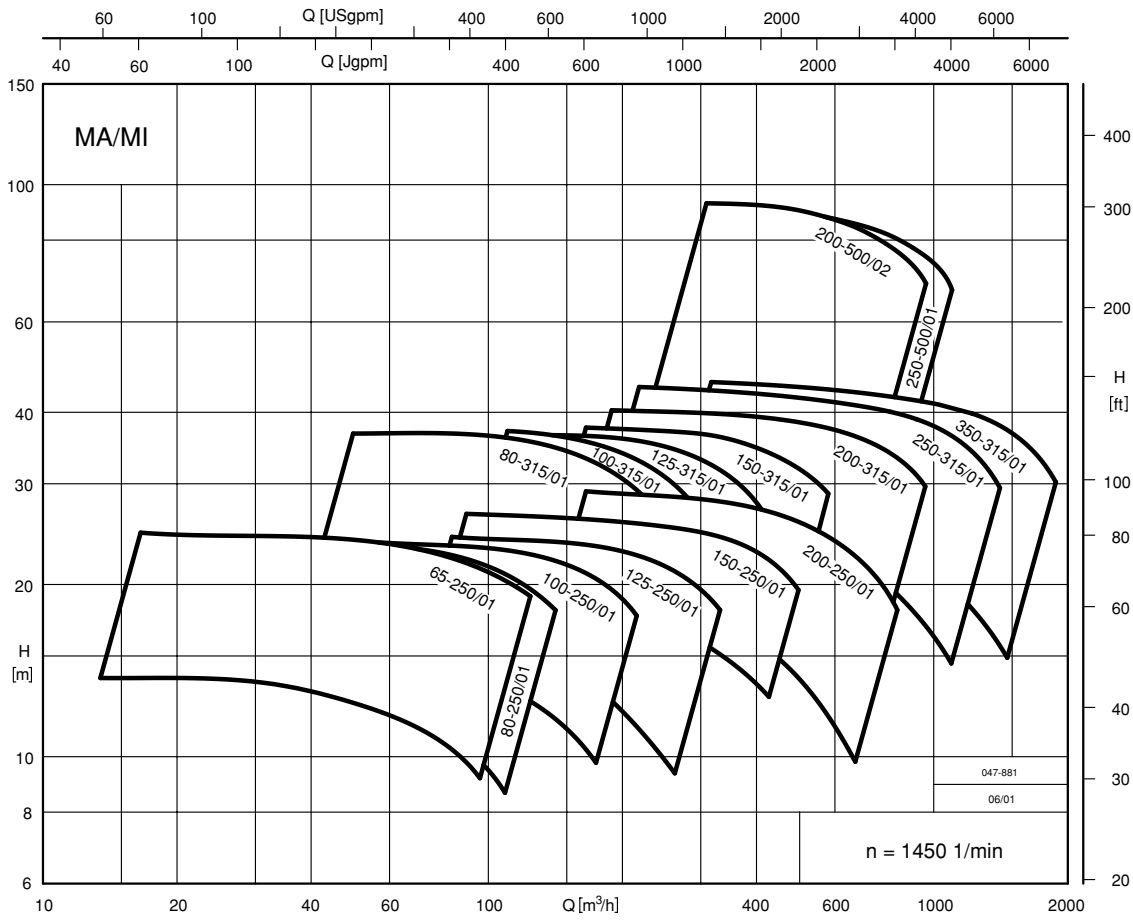
Materials

Denomination	Part No.	Material design		
		W3	W88	W97
Volute casing	102.01	G-CuAl10Ni	EN-GJS-400-15 (GGG-40)	
Casing cover	161.01	G-CuAl10Ni	EN-GJS-400-15 (GGG-40)	
Shaft	210.01	1.4571/1.7139 ②	1.4571/1.7139 ②	
Impeller	230.01	G-CuAl10Ni	G-CuAl10Ni	EN-GJL-200 (GG-20)
Lantern	345.01		steel welded	
Wear ring ①	502.01/502.02		GC/GZ-CuSn12	
Screws and nuts in contact with fluid			stainless steel	

① Wear rings against surcharge.

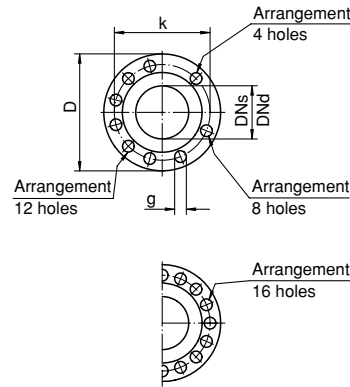
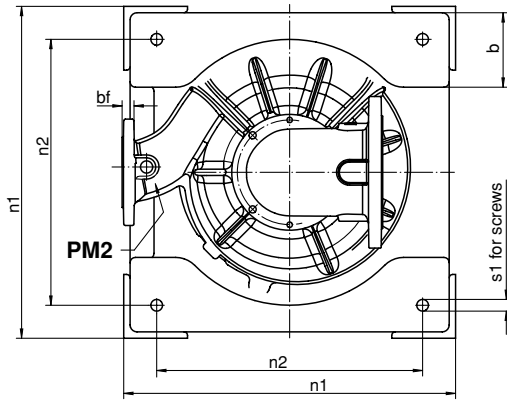
② On pump side (in contact with fluid) in 1.4571 / on motor side in 1.7139

Performance graphs

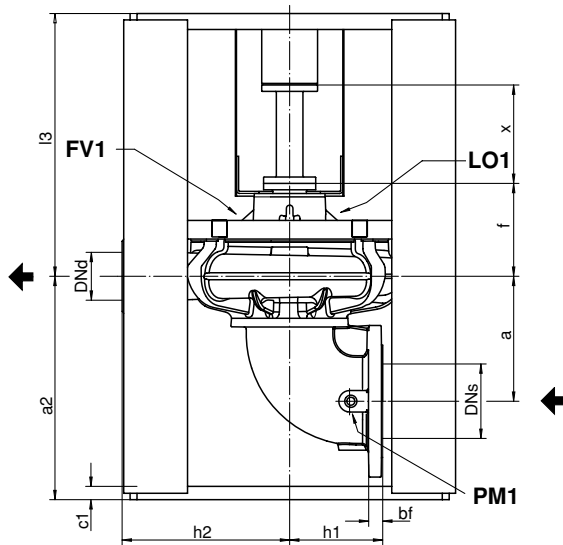


For exact performance data please refer to the individual characteristics.

Unit dimensions - series MI for plinth mounting



Connections		
Filling/ Venting	Leakage outlet	Pressure measurement
FV1	LO1	PM1 / PM2
G 1/2	G 3/8	G 3/8



Flanges acc. to EN 1092-2 PN 10					
DNs/DNd	D	bf	k	g	No. of holes
65	185	19	145	19	4
80	200	19	160	19	8
100	220	19	180	19	8
125	250	19	210	19	8
150	285	19	240	23	8
200	340	20	295	23	8
250	395	22	350	23	12
300	445	24,5	400	23	12
350	505	24,5	460	23	16
400	565	24,5	515	28	16

Flanges acc. to EN 1092-2 PN 16 ②					
DNs/DNd	D	bf	k	g	No. of holes
200	340	20	295	23	12
250	405	22	355	28	12

Flanges acc. to EN 1092-2 PN 25 ③					
DNs/DNd	D	bf	k	g	No. of holes
250	425	24,5	370	31	12
300	485	27,5	430	31	16

Dimensions in mm
Subject to alterations

Sense of rotation: clockwise seen
from driving side

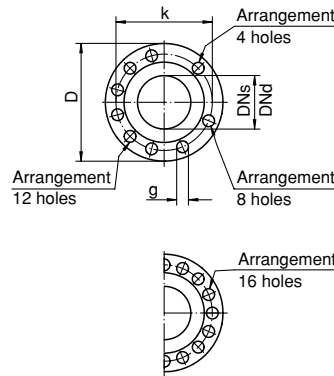
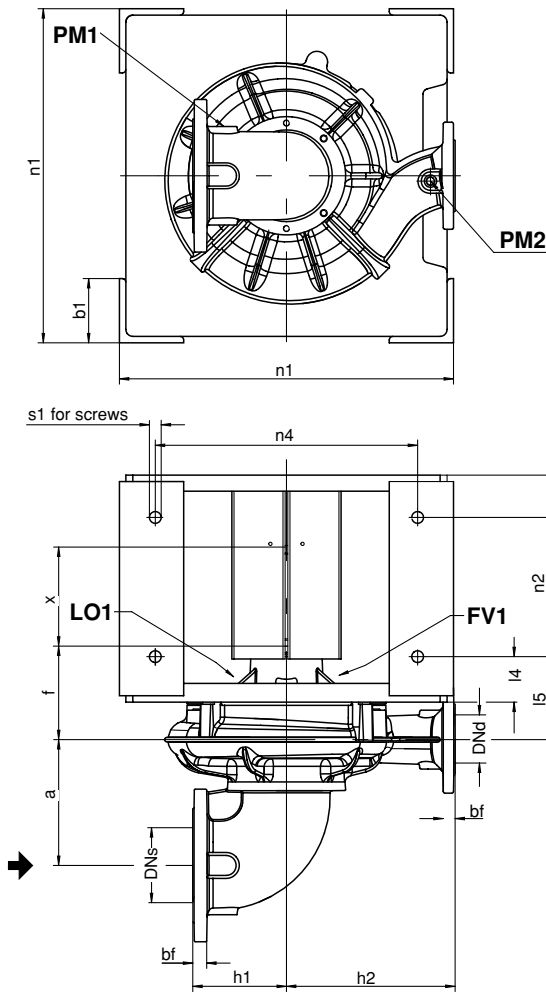
Size	Motor size	Unit dimensions														
		Pump dimensions									Extension dimension x	Dimensions of fastening brackets				
		DNs	DNd	a	a2	f	h1	h2	l3	b		c1	n1	n2	s1	
65-250/01	132 M 160 M/160 L	125	65	210	370	157,8	150	250	441,5 474	180	120	20	526	410	22	
80-250/01	160 M/160 L/180 M	150	80	235	410	159,9	175	250	476,6	180	120	20	526	410	22	
80-315/01	180 M/180 L 200 L	150	80	235	420	174,5	175	315	494	180	140	25	624	500	22	
100-250/01	160 L/180 M/180 L	150	100	250	430	188,9	175	275	555,4	230	160	25	616	490	26	
100-315/01	180 L 200 L 225 S/225 M	200	100	275	480	177,7	200	315	547,2 577,2	230	170	30	676	550	22	
125-250/01	180 L 200 L 225 S	200	125	290	500	191,7	200	275	560,2 590,2	230	160	25	616	490	26	
125-315/01	225 S/225 M 250 M/280 S	200	125	275	510	200,7	200	350	600,2	230	170	30	700	570	26	
150-250/01	200 L 225 S/225 M 250 M	200	150	305	520	205,6	210	350	615 645	270	170	30	674	550	26	
150-315/01	250 M/280 S/280 M 315 S	250	150	340	580	203,6	220	355	643,6 673,6	270	220	30	800	660	26	
200-250/01	250 M/280 S/280 M 315 S	250	200	330	570	212,6	230	430	652 682	270	220	30	770	630	26	
200-315/01	280 M 315 S/315 M	250	200	365	610	250,8	250	440	745 775	325	220	30	890	650	26	
200-500/02 ②	315 S/315 M 315 L/315/355	250	200	350	590	241	250	625	706 ①	270	220	30	990	750	33	
250-315/01	315 S/315 M/315 L 315 L/315	300	250	390	660	259,3	280	530	784 ①	325	220	30	890	650	26	
250-500/01 ③	315 S/315 M 315 L/315/355	300	250	410	①	①	275	700	①	①	200	30	990	750	33	
350-315/01	315 S/315 M 315 L/315/355	400	350	595	920	260	400	520	860	400	220	30	1040	800	33	

① Dimensions on request

② Flanges acc. to EN 1092-2 PN 16

③ Flanges acc. to EN 1092-2 PN 25

Unit dimensions - series MI for wall mounting



Connections		
Filling/ Venting	Leakage outlet	Pressure measurement
FV1	LO1	PM1 / PM2
G 1/2	G 3/8	G 3/8

Flanges acc. to EN 1092-2 PN 10					
DNs/DNd	D	bf	k	g	No. of holes
65	185	19	145	19	4
80	200	19	160	19	8
100	220	19	180	19	8
125	250	19	210	19	8
150	285	19	240	23	8
200	340	20	295	23	8
250	395	22	350	23	12
300	445	24,5	400	23	12
350	505	24,5	460	23	16
400	565	24,5	515	28	16

Flanges acc. to EN 1092-2 PN 16 ②					
DNs/DNd	D	bf	k	g	No. of holes
200	340	20	295	23	12
250	405	22	355	28	12

Flanges acc. to EN 1092-2 PN 25 ③					
DNs/DNd	D	bf	k	g	No. of holes
250	425	24,5	370	31	12
300	485	27,5	430	31	16

Dimensions in mm
Subject to alterations

Sense of rotation: clockwise seen
from driving side

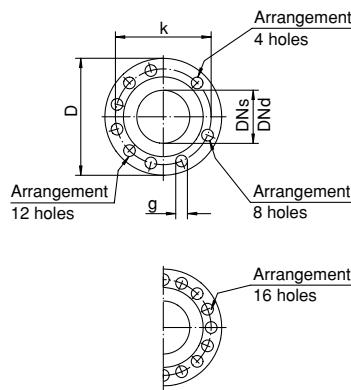
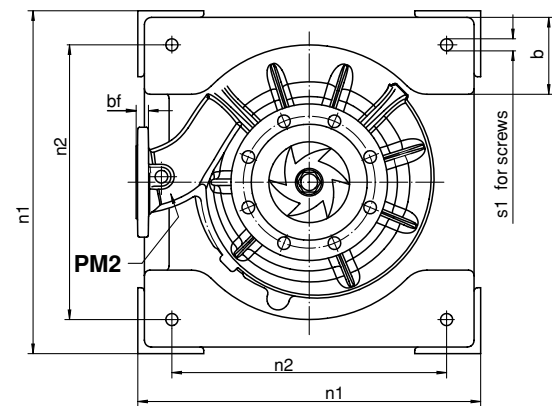
Size	Motor size	Unit dimensions														
		Pump dimensions										Extension dimension x	Dimensions of fastening brackets			
		DNs	DNd	a	f	h1	h2	l3	l4	l5	b1		n1	n2	n4	s1
65-250/01	132 M 160 M/160 L	125	65	210	157,8	150	250	441,5 474	85	148	180	100	526	220 250	420	22
80-250/01	160 M/160 L/180 M	150	80	235	159,9	175	250	476,6	85	150,6	180	100	526	250	420	22
80-315/01	180 M/180 L 200 L	150	80	235	174,5	175	315	494	85	155	180	120	624	260	490	22
100-250/01	160 L/180 M/180 L	150	100	250	188,9	175	275	555,4	90	166,4	230	140	616	310	460	26
100-315/01	180 L 200 L 225 S/225 M	200	100	275	177,7	200	315	547,2 577,2	90	163,2	230	140	676	300 330	525	22
125-250/01	180 L 200 L 225 S	200	125	290	191,7	200	275	560,2 590,2	90	174,2	230	140	616	310 340	460	26
125-315/01	225 S/225 M 250 M/280 S	200	125	275	200,7	200	350	600,2	95	176,2	230	150	700	340	535	26
150-250/01	200 L 225 S/225 M 250 M	200	150	305	205,6	210	350	615 645	95	212	270	150	674	310 340	510	26
150-315/01	250 M/280 S/280 M 315 S	250	150	340	203,6	220	355	643,6 673,6	100	198,6	270	200	800	340 370	580	26
200-250/01	250 M/280 S/280 M 315 S	250	200	330	212,6	230	430	652 682	100	217	270	200	770	340 370	550	26
200-315/01	280 M 315 S/315 M	250	200	365	250,8	250	440	745 775	100	246	325	200	890	400 430	670	26
200-500/02 ②	315 S/315 M 315 L/315/355	250	200	350	241	250	625	706 ①	100	①	270	200	990	400 ①	770	33
250-315/01	315 S/315 M/315 L 315 L/315	300	250	390	259,3	280	530	784 ①	100	246	325	200	890	440 ①	670	26
250-500/01 ③	315 S/315 M 315 L/315/355	300	250	410	①	275	700	①	①	①	①	①	990	400 ①	770	33
350-315/01	315 S/315 M 315 L/315/355	400	350	595	260	400	520	860	①	①	400	①	1040	①	①	33

① Dimensions on request

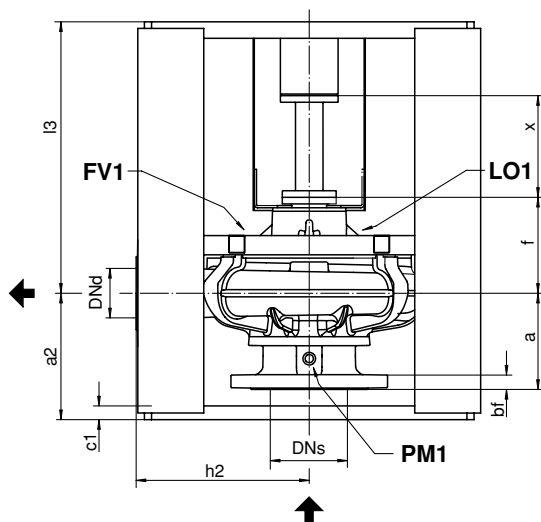
② Flanges acc. to EN 1092-2 PN 16

③ Flanges acc. to EN 1092-2 PN 25

Unit dimensions - series MA for plinth mounting



Connections		
Filling/ Venting	Leakage outlet	Pressure measurement
FV1	LO1	PM1 / PM2
G 1/2	G 3/8	G 3/8



Flanges acc. to EN 1092-2 PN 10					
DNs/DNd	D	bf	k	g	No. of holes
65	185	19	145	19	4
80	200	19	160	19	8
100	220	19	180	19	8
125	250	19	210	19	8
150	285	19	240	23	8
200	340	20	295	23	8
250	395	22	350	23	12
300	445	24,5	400	23	12
350	505	24,5	460	23	16
400	565	24,5	515	28	16

Flanges acc. to EN 1092-2 PN 16 ②					
DNs/DNd	D	bf	k	g	No. of holes
200	340	20	295	23	12
250	405	22	355	28	12

Flanges acc. to EN 1092-2 PN 25 ③					
DNs/DNd	D	bf	k	g	No. of holes
250	425	24,5	370	31	12
300	485	27,5	430	31	16

Dimensions in mm
Subject to alterations

Sense of rotation: clockwise seen
from driving side

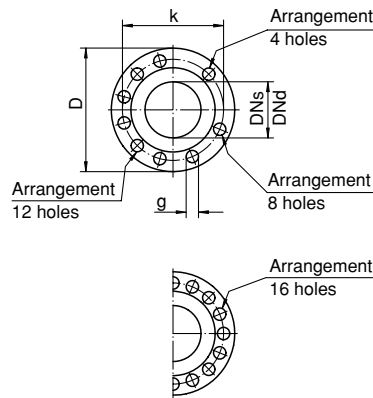
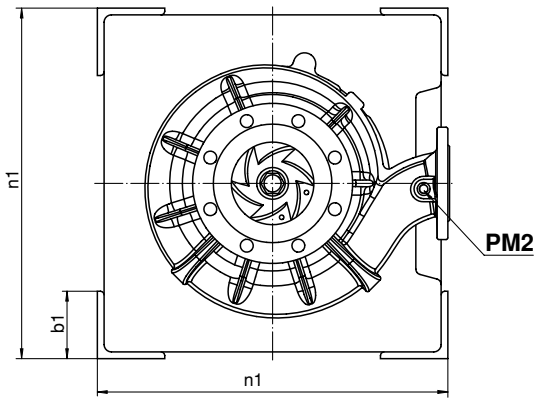
Size	Motor size	Unit dimensions												
		Pump dimensions							Extension dimension x	Dimensions of fastening brackets				
DNs	DNd	a	a2	f	h2	l3	b	c1		n1	n2	s1		
65-250/01	132 M 160 M/160 L	125	65	150	210	157,8	250	441,5 474	180	120	20	526	410	22
80-250/01	160 M/160 L/180 M	150	80	175	230	159,9	250	476,6	180	120	20	526	410	22
80-315/01	180 M/180 L 200 L	150	80	175	230	174,5	315	494	180	140	25	624	500	22
100-250/01	160 L/180 M/180 L	150	100	190	250	188,9	275	555,4	230	160	25	616	490	26
100-315/01	180 L 200 L 225 S/225 M	200	100	200	260	177,7	315	547,2 577,2	230	170	30	676	550	22
125-250/01	180 L 200 L 225 S	200	125	210	270	191,7	275	560,2 590,2	230	160	25	616	490	26
125-315/01	225 S/225 M 250 M/280 S	200	125	220	280	200,7	350	600,2	230	170	30	700	570	26
150-250/01	200 L 225 S/225 M 250 M	200	150	220	275	205,6	350	615 645	270	170	30	674	550	26
150-315/01	250 M/280 S/280 M 315 S	250	150	230	290	203,6	355	643,6 673,6	270	220	30	800	660	26
200-250/01	250 M/280 S/280 M 315 S	250	200	215	280	212,6	430	652 682	270	220	30	770	630	26
200-315/01	280 M 315 S/315 M	250	200	240	300	250,8	440	745 775	325	220	30	890	650	26
200-500/02 ②	315 S/315 M 315 L/315/355	250	200	225	310	241	625	706 ①	270	220	30	990	750	33
250-315/01	315 S/315 M/315 L 315 L/315	300	250	240	300	259,3	530	784 ①	325	220	30	890	650	26
250-500/01 ③	315 S/315 M 315 L/315/355	300	250	275	①	①	700	①	①	200	30	990	750	33
350-315/01	315 S/315 M 315 L/315/355	400	350	320	①	260	520	860	400	220	30	1040	800	33

① Dimensions on request

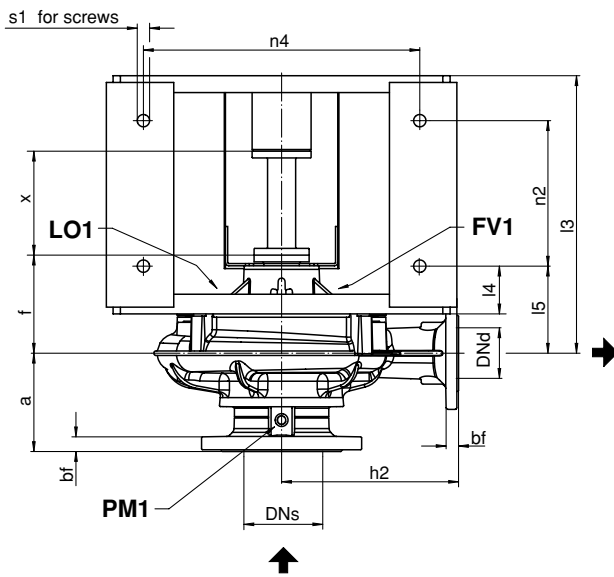
② Flanges acc. to EN 1092-2 PN 16

③ Flanges acc. to EN 1092-2 PN 25

Unit dimensions - series MA for wall mounting



Connections		
Filling/ Venting	Leakage outlet	Pressure measurement
FV1	LO1	PM1 / PM2
G 1/2	G 3/8	G 3/8



Flanges acc. to EN 1092-2 PN 10					
DNs/DNd	D	bf	k	g	No. of holes
65	185	19	145	19	4
80	200	19	160	19	8
100	220	19	180	19	8
125	250	19	210	19	8
150	285	19	240	23	8
200	340	20	295	23	8
250	395	22	350	23	12
300	445	24,5	400	23	12
350	505	24,5	460	23	16
400	565	24,5	515	28	16

Flanges acc. to EN 1092-2 PN 16 ②					
DNs/DNd	D	bf	k	g	No. of holes
200	340	20	295	23	12
250	405	22	355	28	12

Flanges acc. to EN 1092-2 PN 25 ③					
DNs/DNd	D	bf	k	g	No. of holes
250	425	24,5	370	31	12
300	485	27,5	430	31	16

Dimensions in mm
Subject to alterations

Sense of rotation: clockwise seen
from driving side

Size	Motor size	Unit dimensions													
		Pump dimensions								Extension dimension x	Dimensions of fastening brackets				
		DNs	DNd	a	f	h2	l3	l4	l5		b1	n1	n2	n4	s1
65-250/01	132 M 160 M/160 L	125	65	150	157,8	250	441,5 474	85	148	180	100	526	220 250	420	22
80-250/01	160 M/160 L/180 M	150	80	175	159,9	250	476,6	85	150,6	180	100	526	250	420	22
80-315/01	180 M/180 L 200 L	150	80	175	174,5	315	494	85	155	180	120	624	260	490	22
100-250/01	160 L/180 M/180 L	150	100	190	188,9	275	555,4	90	166,4	230	140	616	310	460	26
100-315/01	180 L 200 L 225 S/225 M	200	100	200	177,7	315	547,2 577,2	90	163,2	230	140	676	300 330	525	22
125-250/01	180 L 200 L 225 S	200	125	210	191,7	275	560,2 590,2	90	174,2	230	140	616	310 340	460	26
125-315/01	225 S/225 M 250 M/280 S	200	125	220	200,7	350	600,2	95	176,2	230	150	700	340	535	26
150-250/01	200 L 225 S/225 M 250 M	200	150	220	205,6	350	615 645	95	212	270	150	674	310 340	510	26
150-315/01	250 M/280 S/280 M 315 S	250	150	230	203,6	355	643,6 673,6	100	198,6	270	200	800	340 370	580	26
200-250/01	250 M/280 S/280 M 315 S	250	200	215	212,6	430	652 682	100	217	270	200	770	340 370	550	26
200-315/01	280 M 315 S/315 M	250	200	240	250,8	440	745 775	100	246	325	200	890	400 430	670	26
200-500/02 ②	315 S/315 M 315 L/315/355	250	200	225	241	625	706 ①	100	①	270	200	990	400 ①	770	33
250-315/01	315 S/315 M/315 L 315 L/315	300	250	240	259,3	530	784 ①	100	246	325	200	890	440 ①	670	26
250-500/01 ③	315 S/315 M 315 L/315/355	300	250	275	①	700	①	①	①	①	①	990	400 ①	770	33
350-315/01	315 S/315 M 315 L/315/355	400	350	320	260	520	860	①	①	400	①	1040	①	①	33

① Dimensions on request

② Flanges acc. to EN 1092-2 PN 16

③ Flanges acc. to EN 1092-2 PN 25

Subject to technical alterations.

ALLWEILER 

A Member of the
COLFAX PUMP GROUP

ALLWEILER AG · Werk Radolfzell
Postfach 1140 · 78301 Radolfzell
Allweilerstraße 1 · 78315 Radolfzell
Germany
Tel. +49 (0)7732 86-0
Fax +49 (0)7732 86-436
E-mail: service@allweiler.de
Internet: <http://www.allweiler.com>