


AP12-40-04-1 (240V,0.4kW,0.5-5L/sec,1.5-10m)

Contents:

Unilift AP12.40.04.1 (96011032)	2
Quotation text	2
Quotation text incl. photo	4
Data sheet incl. curve	6
Pump curve	7
Dimensional drawing	8
Wiring diagram	9

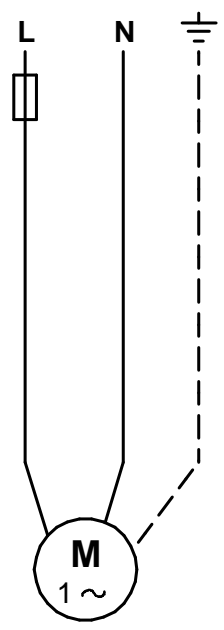
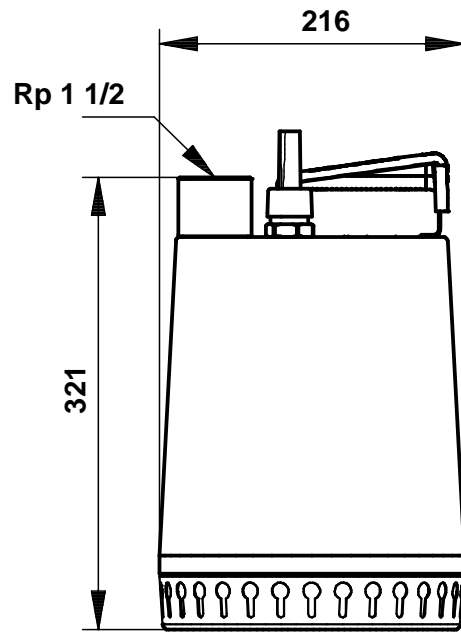
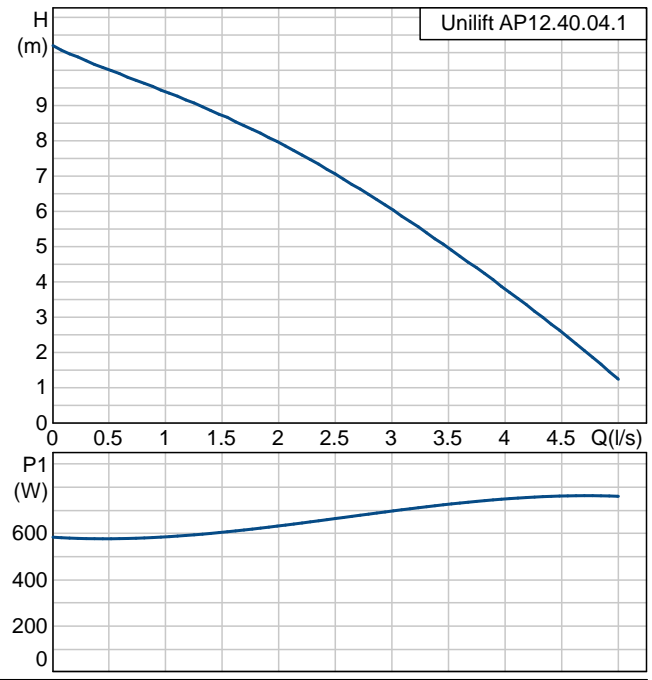
Position	Qty.	Description	Single Price
	1	<p>Unilift AP12.40.04.1 Product No.: 96011032 Submersible drainage pump type</p> <p>Vertical single-stage stainless steel submersible pump with vertical discharge port and integrated submersible 1-phase totally enclosed motor in insulation class F with thermal overload protection. The pump is fitted with a suction strainer.</p> <p>The impeller is a SEMI OPEN impeller for 12 mm free passage suitable for pumping groundwater, surface water, rain water and similar.</p> <p>The pump has a double shaft seal and an intermediate oil chamber pre-filled with non-toxic special oil.</p> <p>The pump has a riser pipe, a cooling jacket for continuous cooling of the motor by the pumped liquid and long-life deep-groove greased-for-life ball bearings.</p> <p>The pump is ready for use as it is fitted with carrying handle and is supplied with a 10 m mains cable. The mains cable is of the plug type with glass sealing compound in the socket to prevent penetration of humidity into the stator windings.</p> <p>Liquid: Liquid temperature range: 0 .. 55 °C</p> <p>Technical: Type of impeller: SEMI OPEN Maximum particle size: 12 mm Curve tolerance: ISO 9906 Annex A</p> <p>Materials: Pump housing: Stainless steel 1.4301 DIN W.-Nr. 304 AISI Impeller: Stainless steel 1.4301 DIN W.-Nr. 304 AISI</p> <p>Installation: Pump outlet: Rp 1 1/2 Maximum installation depth: 10 m</p> <p>Electrical data: Type of motor: PSC Power input - P1: 0.7 kW Mains frequency: 50 Hz Rated voltage: 1 x 230 V Rated current: 3 A Cos phi - power factor: 0,99 Rated speed: 2770 rpm Capacitor size - run: 12 µF/400 V Enclosure class (IEC 34-5): IP68 Insulation class (IEC 85): F Length of cable: 10 m Type of cable plug: AU</p> <p>Others:</p>	Price on request

<i>Position</i>	<i>Qty.</i>	<i>Description</i>	<i>Single Price</i>
		Net weight: 11.6 kg Gross weight: 12.1 kg	

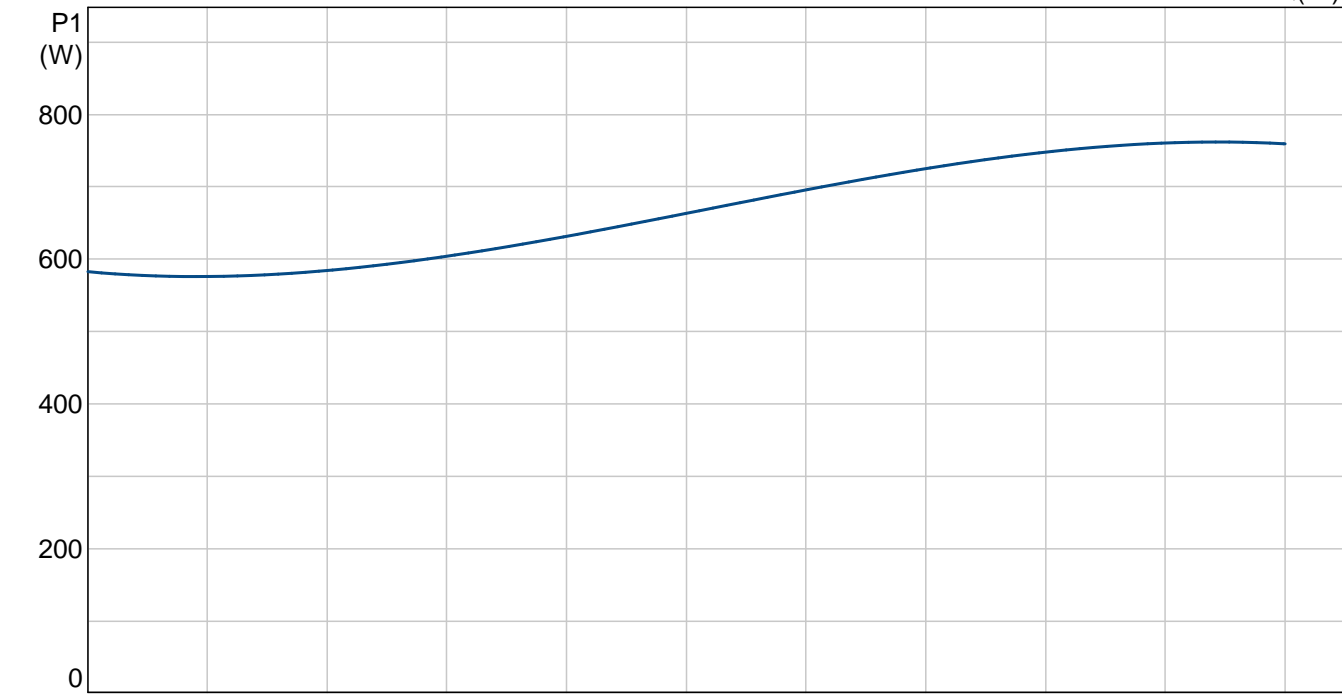
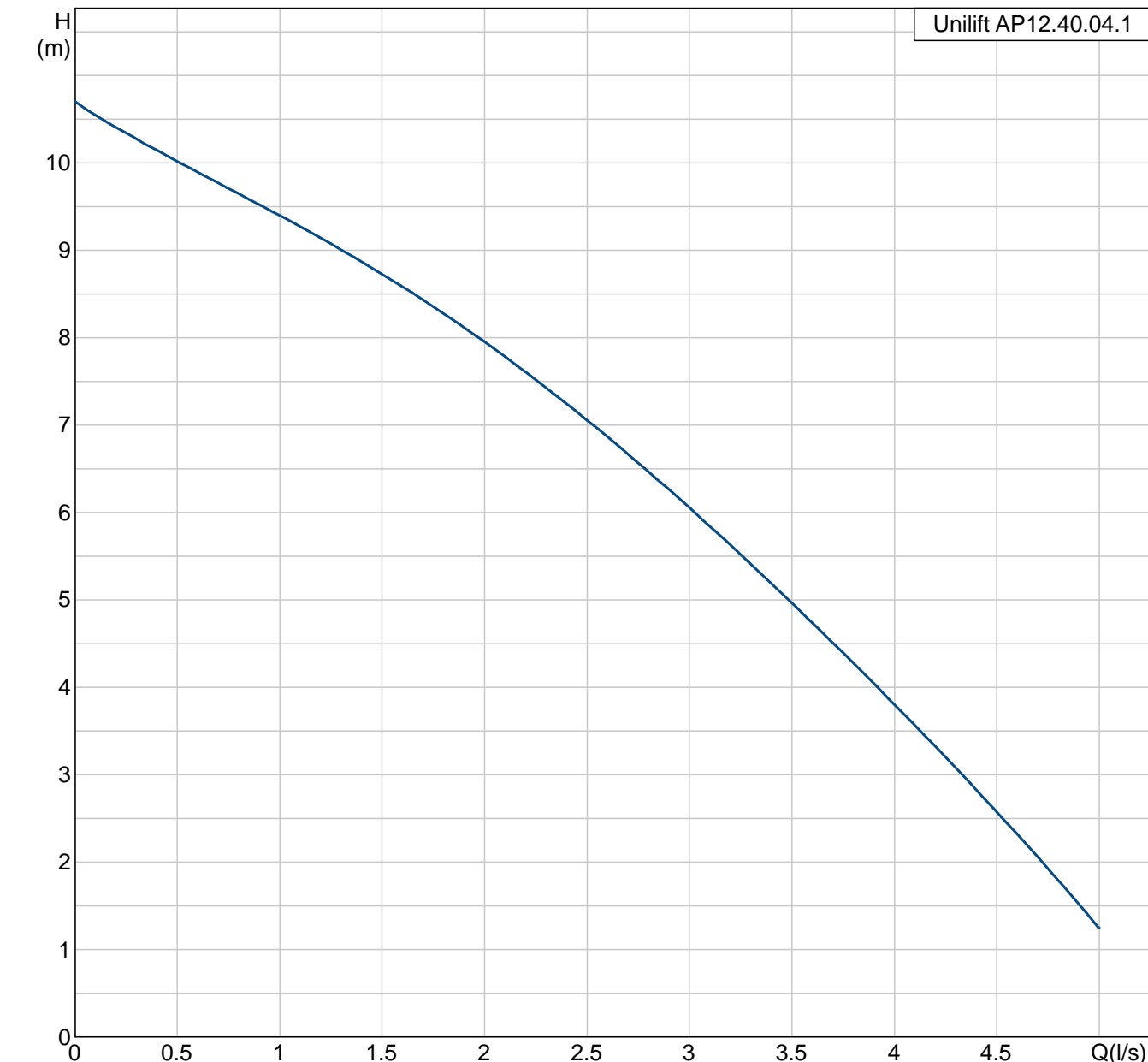
Position	Qty.	Description	Single Price
	1	<p data-bbox="296 163 520 192">Unilift AP12.40.04.1</p>  <p data-bbox="683 589 1219 618">Note! Product picture may differ from actual product</p> <p data-bbox="296 645 655 703">Product No.: 96011032 Submersible drainage pump type</p> <p data-bbox="296 730 817 900">Vertical single-stage stainless steel submersible pump with vertical discharge port and integrated submersible 1-phase totally enclosed motor in insulation class F with thermal overload protection. The pump is fitted with a suction strainer.</p> <p data-bbox="296 927 759 1041">The impeller is a SEMI OPEN impeller for 12 mm free passage suitable for pumping groundwater, surface water, rain water and similar.</p> <p data-bbox="296 1068 796 1158">The pump has a double shaft seal and an intermediate oil chamber pre-filled with non-toxic special oil.</p> <p data-bbox="296 1184 807 1299">The pump has a riser pipe, a cooling jacket for continuous cooling of the motor by the pumped liquid and long-life deep-groove greased-for-life ball bearings.</p> <p data-bbox="296 1326 783 1500">The pump is ready for use as it is fitted with carrying handle and is supplied with a 10 m mains cable. The mains cable is of the plug type with glass sealing compound in the socket to prevent penetration of humidity into the stator windings.</p> <p data-bbox="296 1527 764 1588">Liquid: Liquid temperature range: 0 .. 55 °C</p> <p data-bbox="296 1615 863 1731">Technical: Type of impeller: SEMI OPEN Maximum particle size: 12 mm Curve tolerance: ISO 9906 Annex A</p> <p data-bbox="296 1758 863 1962">Materials: Pump housing: Stainless steel 1.4301 DIN W.-Nr. 304 AISI Impeller: Stainless steel 1.4301 DIN W.-Nr. 304 AISI</p> <p data-bbox="296 1989 756 2078">Installation: Pump outlet: Rp 1 1/2 Maximum installation depth: 10 m</p>	Price on request

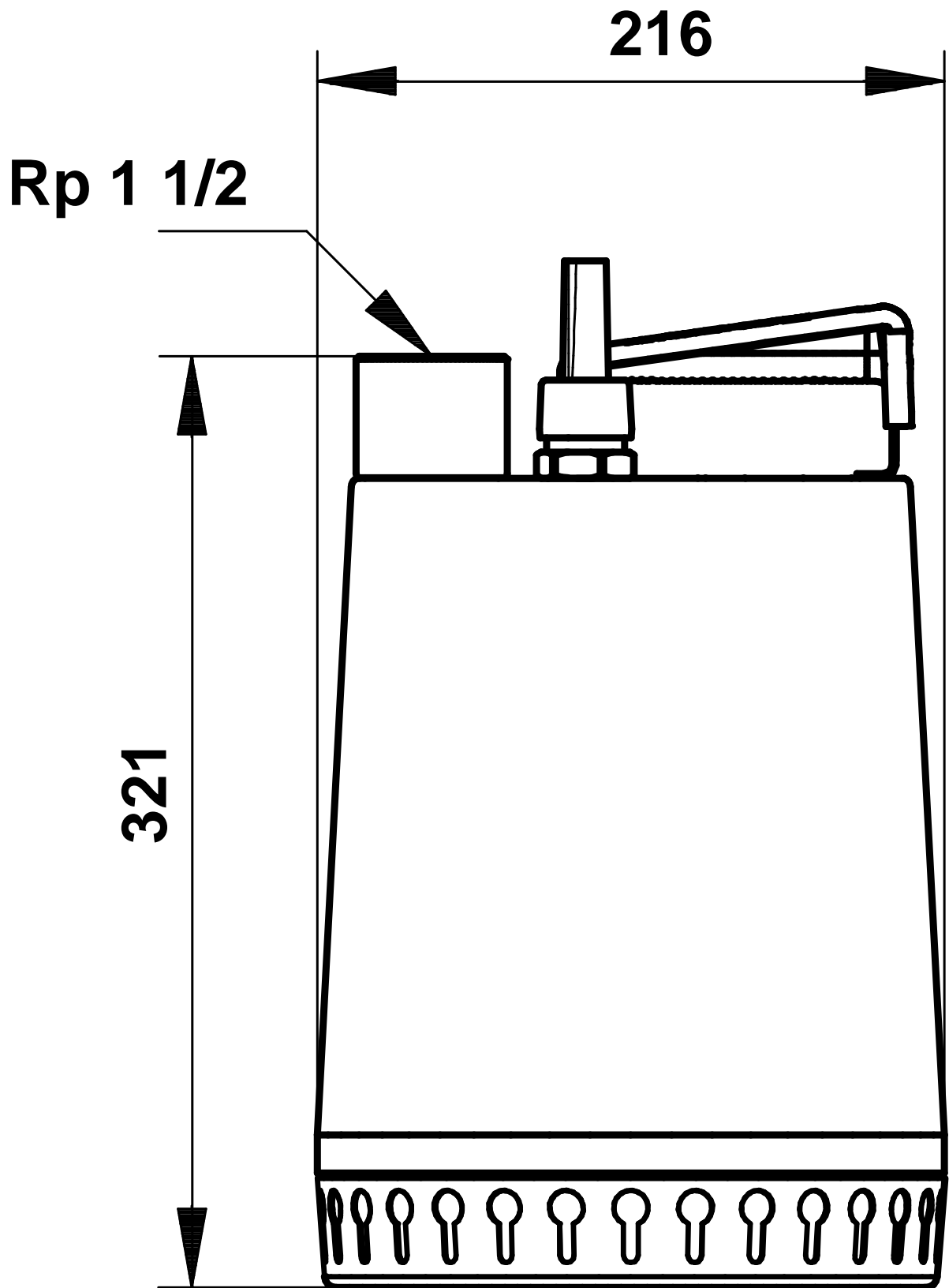
Position	Qty.	Description	Single Price
		<p>Electrical data:</p> <p>Type of motor: PSC</p> <p>Power input - P1: 0.7 kW</p> <p>Mains frequency: 50 Hz</p> <p>Rated voltage: 1 x 230 V</p> <p>Rated current: 3 A</p> <p>Cos phi - power factor: 0,99</p> <p>Rated speed: 2770 rpm</p> <p>Capacitor size - run: 12 µF/400 V</p> <p>Enclosure class (IEC 34-5): IP68</p> <p>Insulation class (IEC 85): F</p> <p>Length of cable: 10 m</p> <p>Type of cable plug: AU</p> <p>Others:</p> <p>Net weight: 11.6 kg</p> <p>Gross weight: 12.1 kg</p>	

Description	Value
Product name:	Unilift AP12.40.04.1
Product No:	96011032
EAN number:	5700390525750
Technical:	
Max flow:	14 m ³ /h
Head max:	10 m
Type of impeller:	SEMI OPEN
Maximum particle size:	12 mm
Curve tolerance:	ISO 9906 Annex A
Materials:	
Pump housing:	Stainless steel 1.4301 DIN W.-Nr. 304 AISI
Impeller:	Stainless steel 1.4301 DIN W.-Nr. 304 AISI
Installation:	
Pump outlet:	Rp 1 1/2
Maximum installation depth:	10 m
Inst dry/wet:	D/S
Installation:	horizontal or vertical
Liquid:	
Liquid temperature range:	0 .. 55 °C
Electrical data:	
Type of motor:	PSC
Power input - P1:	0.7 kW
P2:	0.4 kW
Mains frequency:	50 Hz
Rated voltage:	1 x 230 V
Rated current:	3 A
Cos phi - power factor:	0,99
Rated speed:	2770 rpm
Capacitor size - run:	12 µF/400 V
Enclosure class (IEC 34-5):	IP68
Insulation class (IEC 85):	F
Motor protec:	CONTACT
Thermal protec:	internal
Length of cable:	10 m
Type of cable plug:	AU
Others:	
Net weight:	11.6 kg
Gross weight:	12.1 kg

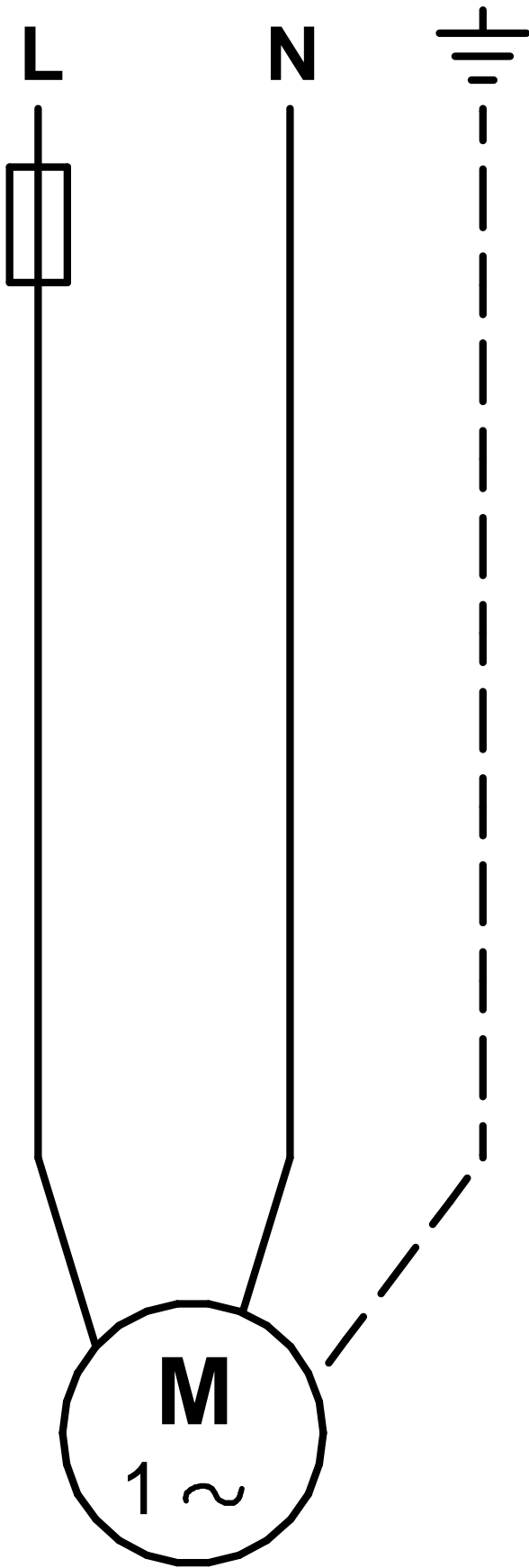


96011032 Unilift AP12.40.04.1





Note! All units are in [mm] unless others are stated.



Note! All units are in [mm] unless others are stated.