


AP12-40-06-3 (415V,0.6kW,0.5-5.5L/sec,2-12m)

Contents:

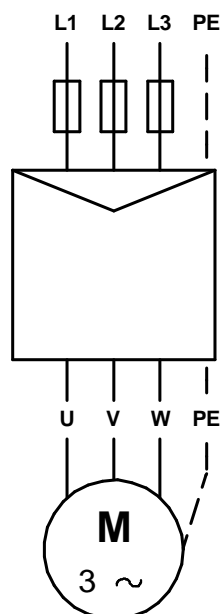
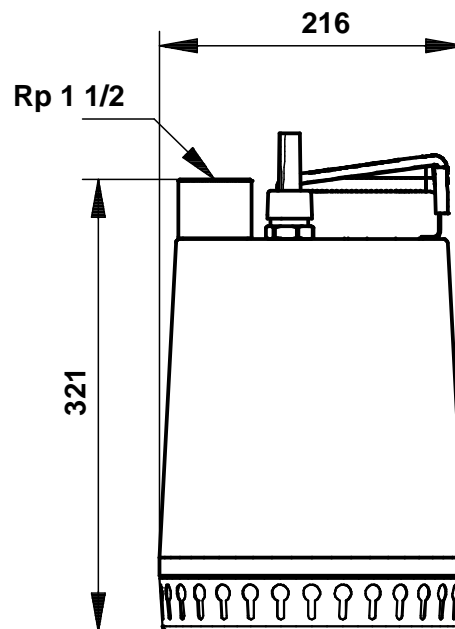
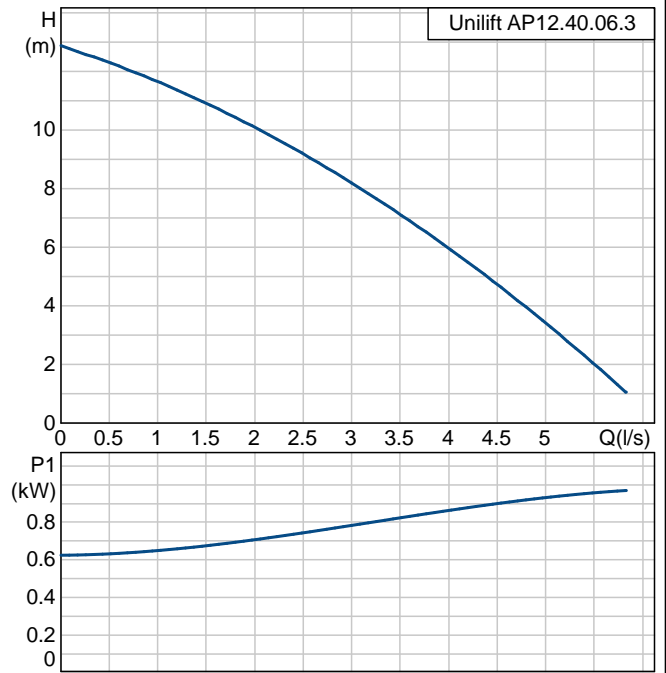
Unilift AP12.40.06.3 (96001652)	2
Quotation text	2
Quotation text incl. photo	3
Data sheet incl. curve	5
Pump curve	6
Dimensional drawing	7
Wiring diagram	8

Position	Qty.	Description	Single Price
	1	<p>Unilift AP12.40.06.3 Product No.: 96001652 Submersible drainage pump type</p> <p>Vertical single-stage stainless steel submersible pump with vertical discharge port and integrated submersible 3-phase totally enclosed motor in insulation class F. The pump is fitted with a suction strainer.</p> <p>The impeller is a SEMI OPEN impeller for 12 mm free passage suitable for pumping groundwater, surface water, rain water and similar.</p> <p>The pump has a double shaft seal and an intermediate oil chamber pre-filled with non-toxic special oil.</p> <p>The pump has a riser pipe, a cooling jacket for continuous cooling of the motor by the pumped liquid and long-life deep-groove greased-for-life ball bearings.</p> <p>The pump is ready for use as it is fitted with carrying handle and is supplied with a 10 m mains cable. The mains cable is of the plug type with glass sealing compound in the socket to prevent penetration of humidity into the stator windings.</p> <p>Liquid: Liquid temperature range: 0 .. 55 °C</p> <p>Technical: Type of impeller: SEMI OPEN Maximum particle size: 12 mm Curve tolerance: ISO 9906 Annex A</p> <p>Materials: Pump housing: Stainless steel 1.4301 DIN W.-Nr. 304 AISI Impeller: Stainless steel 1.4301 DIN W.-Nr. 304 AISI</p> <p>Installation: Pump outlet: Rp 1 1/2 Maximum installation depth: 10 m</p> <p>Electrical data: Power input - P1: 0.9 kW Mains frequency: 50 Hz Rated voltage: 3 x 400 V Rated current: 1.6 A Cos phi - power factor: 0,83 Rated speed: 2815 rpm Enclosure class (IEC 34-5): IP68 Insulation class (IEC 85): F Length of cable: 10 m Type of cable plug: NONE</p> <p>Others: Net weight: 10.7 kg Gross weight: 11.2 kg</p>	Price on request

Position	Qty.	Description	Single Price
	1	<p data-bbox="296 159 523 188">Unilift AP12.40.06.3</p>  <p data-bbox="683 589 1219 613">Note! Product picture may differ from actual product</p> <p data-bbox="296 645 655 701">Product No.: 96001652 Submersible drainage pump type</p> <p data-bbox="296 730 839 871">Vertical single-stage stainless steel submersible pump with vertical discharge port and integrated submersible 3-phase totally enclosed motor in insulation class F. The pump is fitted with a suction strainer.</p> <p data-bbox="296 902 759 1014">The impeller is a SEMI OPEN impeller for 12 mm free passage suitable for pumping groundwater, surface water, rain water and similar.</p> <p data-bbox="296 1046 820 1128">The pump has a double shaft seal and an intermediate oil chamber pre-filled with non-toxic special oil.</p> <p data-bbox="296 1160 807 1272">The pump has a riser pipe, a cooling jacket for continuous cooling of the motor by the pumped liquid and long-life deep-groove greased-for-life ball bearings.</p> <p data-bbox="296 1303 823 1473">The pump is ready for use as it is fitted with carrying handle and is supplied with a 10 m mains cable. The mains cable is of the plug type with glass sealing compound in the socket to prevent penetration of humidity into the stator windings.</p> <p data-bbox="296 1505 762 1561">Liquid: Liquid temperature range: 0 .. 55 °C</p> <p data-bbox="296 1592 863 1704">Technical: Type of impeller: SEMI OPEN Maximum particle size: 12 mm Curve tolerance: ISO 9906 Annex A</p> <p data-bbox="296 1736 863 1933">Materials: Pump housing: Stainless steel 1.4301 DIN W.-Nr. 304 AISI Impeller: Stainless steel 1.4301 DIN W.-Nr. 304 AISI</p> <p data-bbox="296 1964 754 2047">Installation: Pump outlet: Rp 1 1/2 Maximum installation depth: 10 m</p> <p data-bbox="296 2078 472 2107">Electrical data:</p>	Price on request

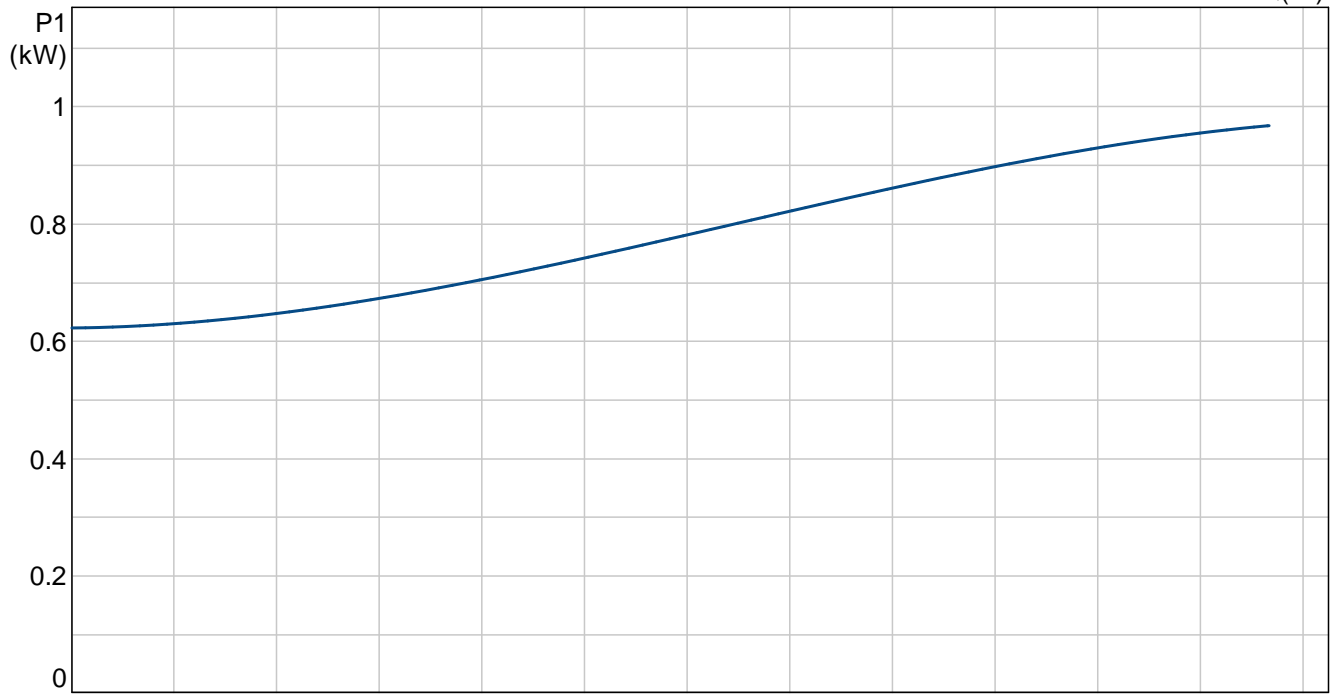
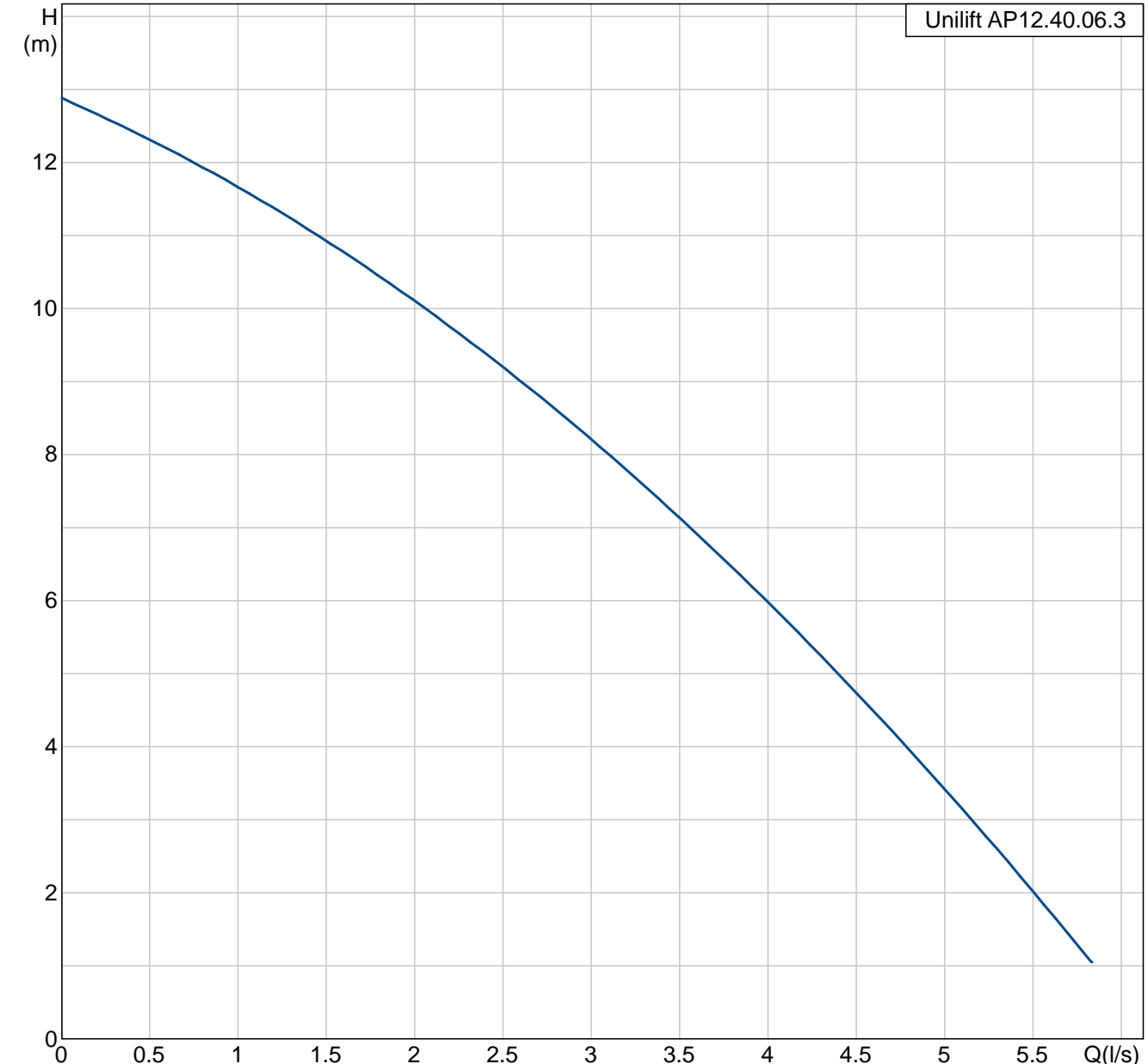
Position	Qty.	Description	Single Price
		Power input - P1: 0.9 kW Mains frequency: 50 Hz Rated voltage: 3 x 400 V Rated current: 1.6 A Cos phi - power factor: 0,83 Rated speed: 2815 rpm Enclosure class (IEC 34-5): IP68 Insulation class (IEC 85): F Length of cable: 10 m Type of cable plug: NONE Others: Net weight: 10.7 kg Gross weight: 11.2 kg	

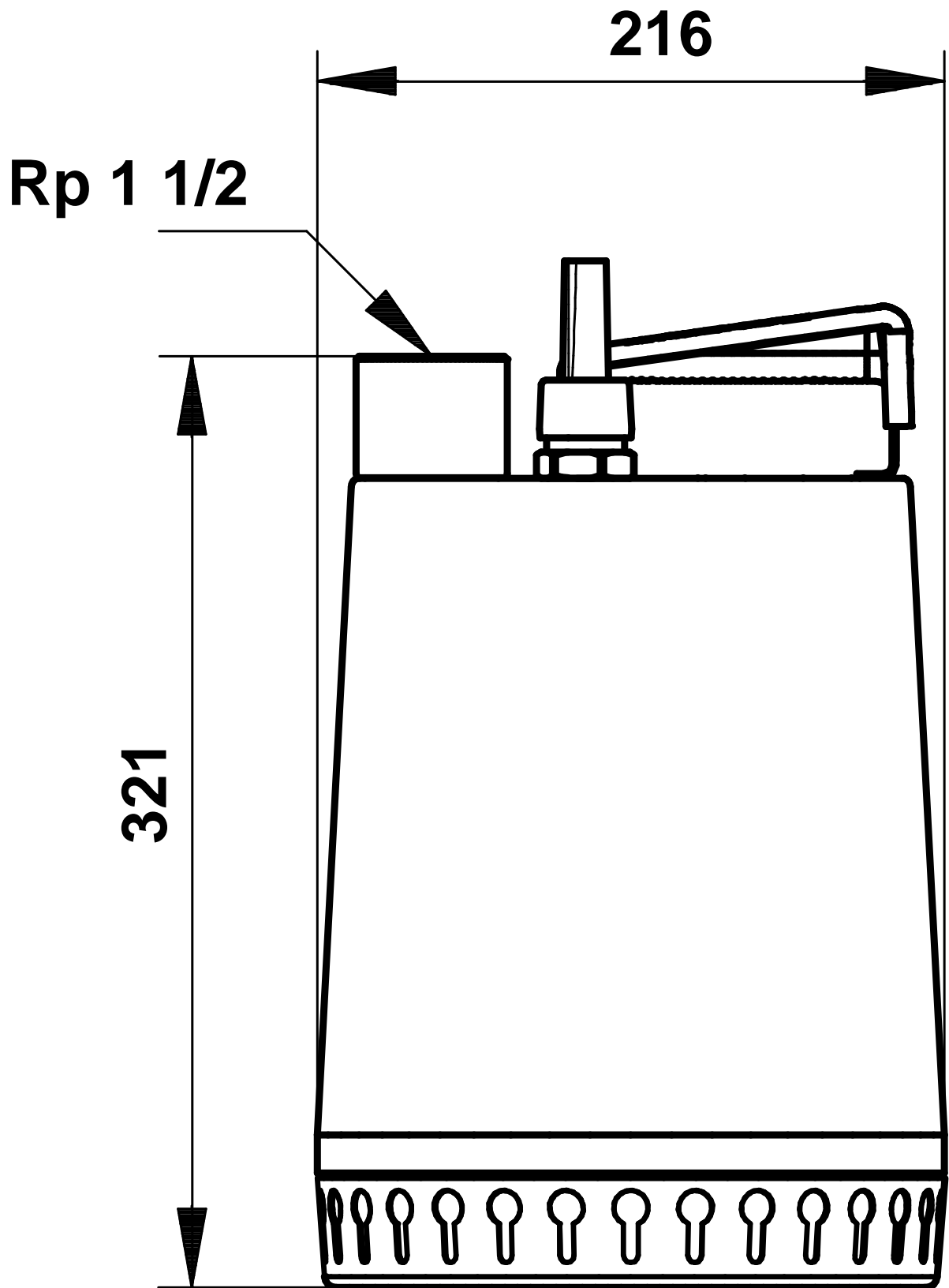
Description	Value
Product name:	Unilift AP12.40.06.3
Product No:	96001652
EAN number:	5700390896928
Technical:	
Max flow:	18 m ³ /h
Head max:	13 m
Type of impeller:	SEMI OPEN
Maximum particle size:	12 mm
Curve tolerance:	ISO 9906 Annex A
Materials:	
Pump housing:	Stainless steel 1.4301 DIN W.-Nr. 304 AISI
Impeller:	Stainless steel 1.4301 DIN W.-Nr. 304 AISI
Installation:	
Pump outlet:	Rp 1 1/2
Maximum installation depth:	10 m
Inst dry/wet:	D/S
Installation:	horizontal or vertical
Liquid:	
Liquid temperature range:	0 .. 55 °C
Electrical data:	
Power input - P1:	0.9 kW
P2:	0.6 kW
Mains frequency:	50 Hz
Rated voltage:	3 x 400 V
Rated current:	1.6 A
Cos phi - power factor:	0,83
Rated speed:	2815 rpm
Enclosure class (IEC 34-5):	IP68
Insulation class (IEC 85):	F
Motor protec:	NONE
Thermal protec:	external
Length of cable:	10 m
Type of cable plug:	NONE
Others:	
Net weight:	10.7 kg
Gross weight:	11.2 kg



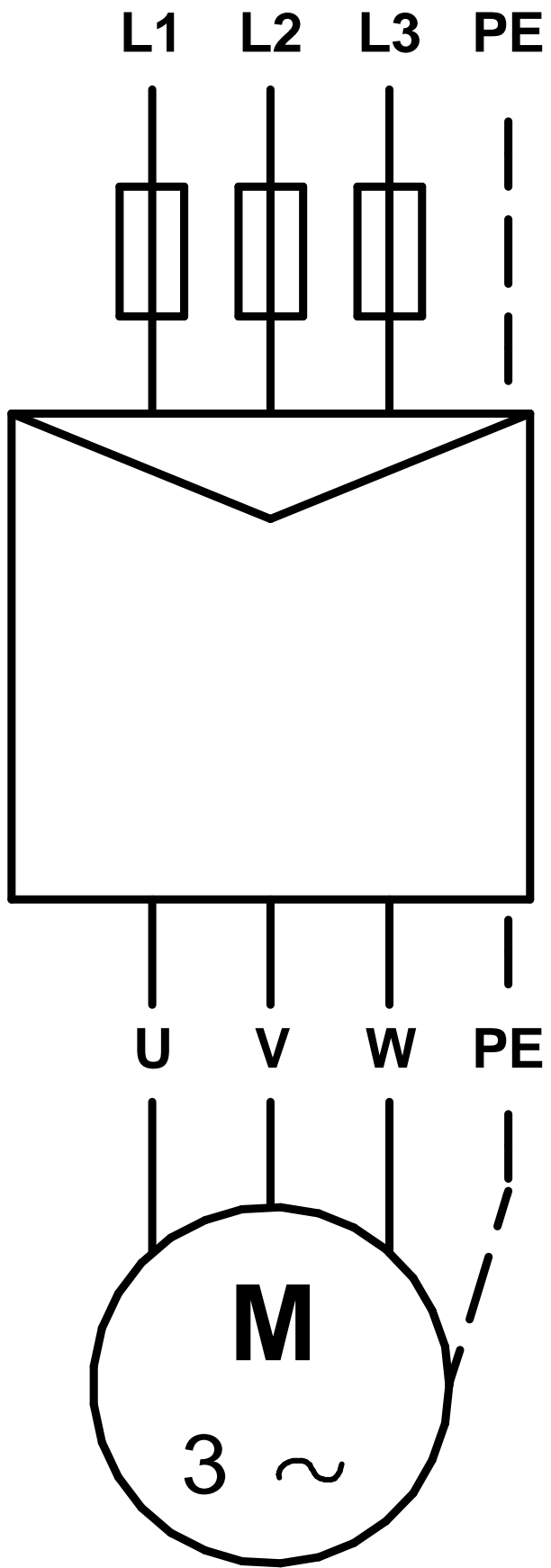
96001652 Unilift AP12.40.06.3

Unilift AP12.40.06.3





Note! All units are in [mm] unless others are stated.



Note! All units are in [mm] unless others are stated.