


# AP12-40-08-3 (415V,0.8kW,0.5-6L/sec,1-14m)

## Contents:

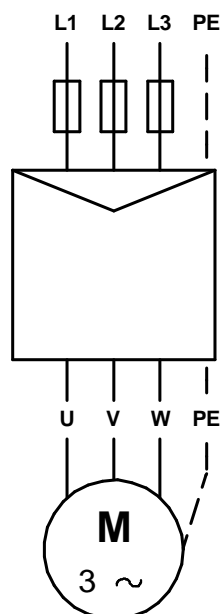
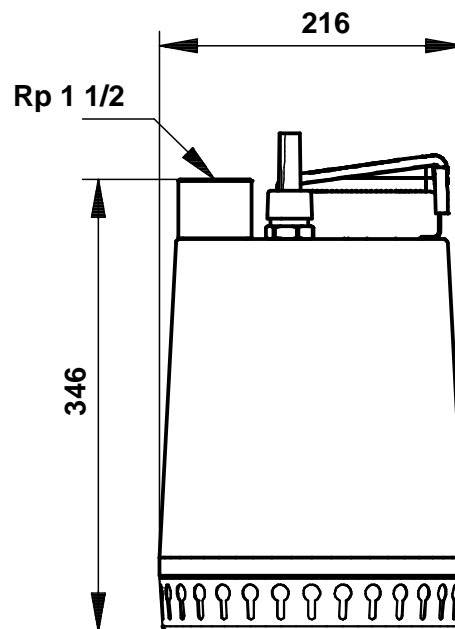
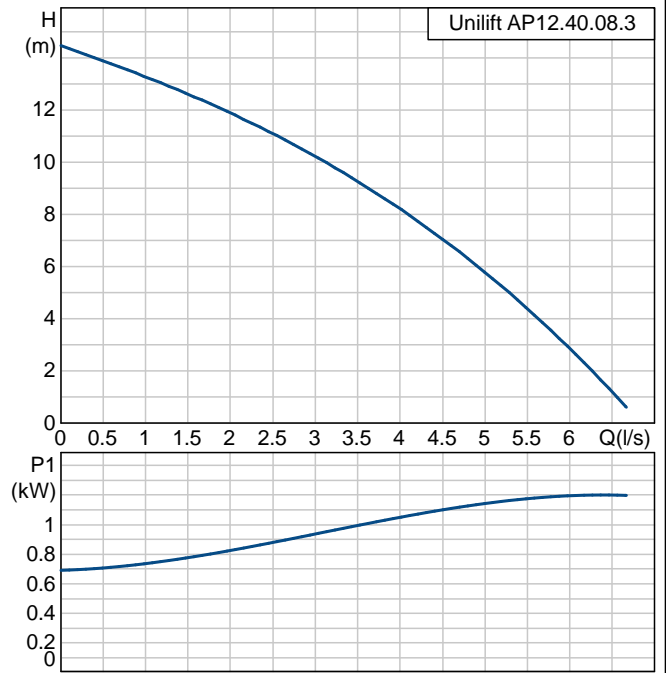
Unilift AP12.40.08.3 (96001791) .....	2
Quotation text .....	2
Quotation text incl. photo .....	3
Data sheet incl. curve .....	5
Pump curve .....	6
Dimensional drawing .....	7
Wiring diagram .....	8

Position	Qty.	Description	Single Price
	1	<p><b>Unilift AP12.40.08.3</b>  Product No.: 96001791  Submersible drainage pump type</p> <p>Vertical single-stage stainless steel submersible pump with vertical discharge port and integrated submersible 3-phase totally enclosed motor in insulation class F. The pump is fitted with a suction strainer.</p> <p>The impeller is a SEMI OPEN impeller for 12 mm free passage suitable for pumping groundwater, surface water, rain water and similar.</p> <p>The pump has a double shaft seal and an intermediate oil chamber pre-filled with non-toxic special oil.</p> <p>The pump has a riser pipe, a cooling jacket for continuous cooling of the motor by the pumped liquid and long-life deep-groove greased-for-life ball bearings.</p> <p>The pump is ready for use as it is fitted with carrying handle and is supplied with a 10 m mains cable. The mains cable is of the plug type with glass sealing compound in the socket to prevent penetration of humidity into the stator windings.</p> <p><b>Liquid:</b>  Liquid temperature range: 0 .. 55 °C</p> <p><b>Technical:</b>  Type of impeller: SEMI OPEN  Maximum particle size: 12 mm  Curve tolerance: ISO 9906 Annex A</p> <p><b>Materials:</b>  Pump housing: Stainless steel  1.4301 DIN W.-Nr.  304 AISI  Impeller: Stainless steel  1.4301 DIN W.-Nr.  304 AISI</p> <p><b>Installation:</b>  Pump outlet: Rp 1 1/2  Maximum installation depth: 10 m</p> <p><b>Electrical data:</b>  Power input - P1: 1.2 kW  Mains frequency: 50 Hz  Rated voltage: 3 x 400 V  Rated current: 2.1 A  Cos phi - power factor: 0,87  Rated speed: 2810 rpm  Enclosure class (IEC 34-5): IP68  Insulation class (IEC 85): F  Length of cable: 10 m  Type of cable plug: NONE</p> <p><b>Others:</b>  Net weight: 12 kg  Gross weight: 12.6 kg</p>	Price on request

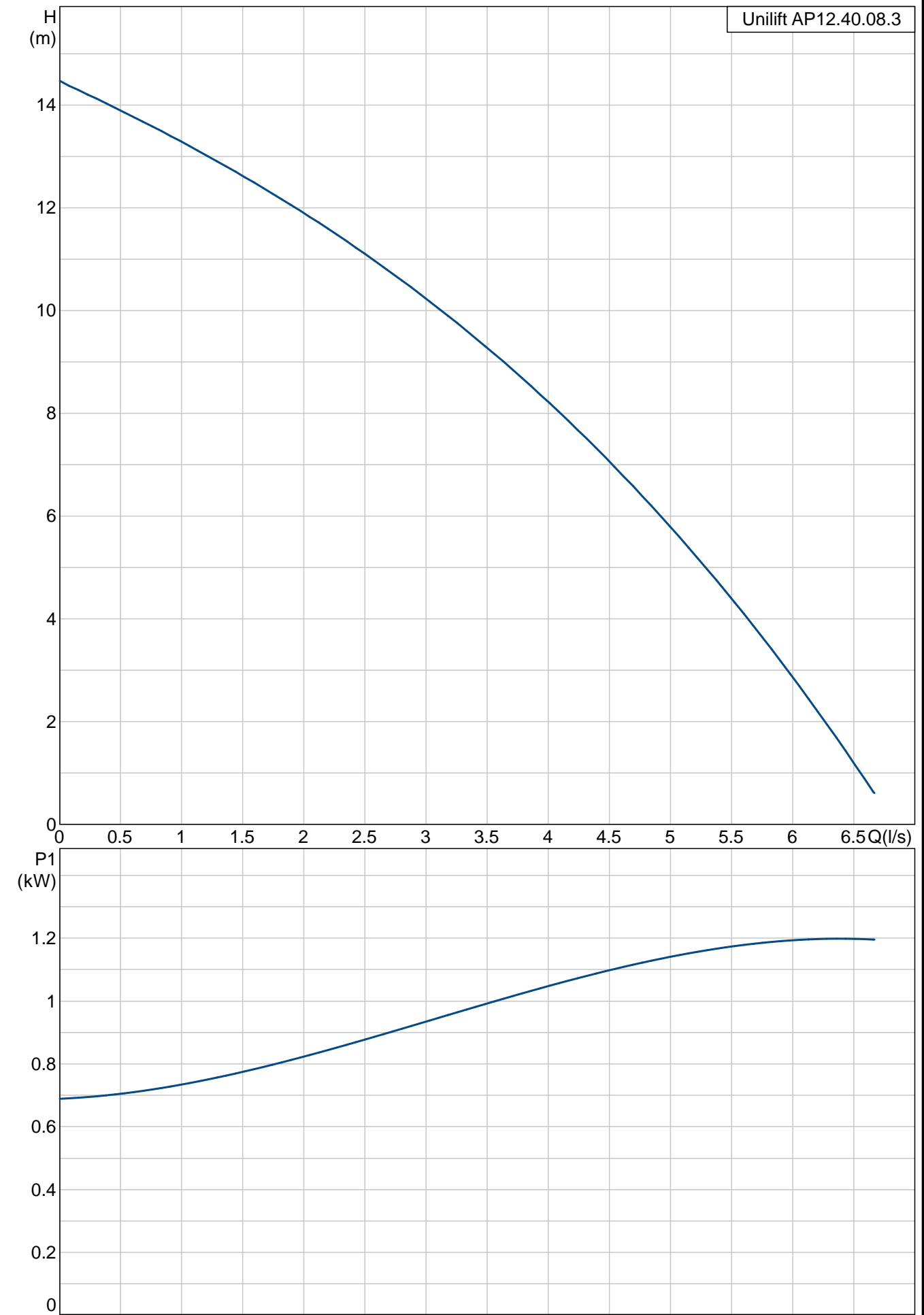
Position	Qty.	Description	Single Price
	1	<p data-bbox="296 163 523 192"><b>Unilift AP12.40.08.3</b></p>  <p data-bbox="683 589 1219 618"><b>Note! Product picture may differ from actual product</b></p> <p data-bbox="296 645 655 703">Product No.: 96001791 Submersible drainage pump type</p> <p data-bbox="296 730 839 873">Vertical single-stage stainless steel submersible pump with vertical discharge port and integrated submersible 3-phase totally enclosed motor in insulation class F. The pump is fitted with a suction strainer.</p> <p data-bbox="296 900 759 1014">The impeller is a SEMI OPEN impeller for 12 mm free passage suitable for pumping groundwater, surface water, rain water and similar.</p> <p data-bbox="296 1041 820 1128">The pump has a double shaft seal and an intermediate oil chamber pre-filled with non-toxic special oil.</p> <p data-bbox="296 1155 807 1270">The pump has a riser pipe, a cooling jacket for continuous cooling of the motor by the pumped liquid and long-life deep-groove greased-for-life ball bearings.</p> <p data-bbox="296 1296 823 1471">The pump is ready for use as it is fitted with carrying handle and is supplied with a 10 m mains cable. The mains cable is of the plug type with glass sealing compound in the socket to prevent penetration of humidity into the stator windings.</p> <p data-bbox="296 1498 764 1556"><b>Liquid:</b> Liquid temperature range: 0 .. 55 °C</p> <p data-bbox="296 1583 863 1702"><b>Technical:</b> Type of impeller: SEMI OPEN Maximum particle size: 12 mm Curve tolerance: ISO 9906 Annex A</p> <p data-bbox="296 1729 863 1933"><b>Materials:</b> Pump housing: Stainless steel 1.4301 DIN W.-Nr. 304 AISI Impeller: Stainless steel 1.4301 DIN W.-Nr. 304 AISI</p> <p data-bbox="296 1960 756 2047"><b>Installation:</b> Pump outlet: Rp 1 1/2 Maximum installation depth: 10 m</p> <p data-bbox="296 2074 472 2103"><b>Electrical data:</b></p>	Price on request

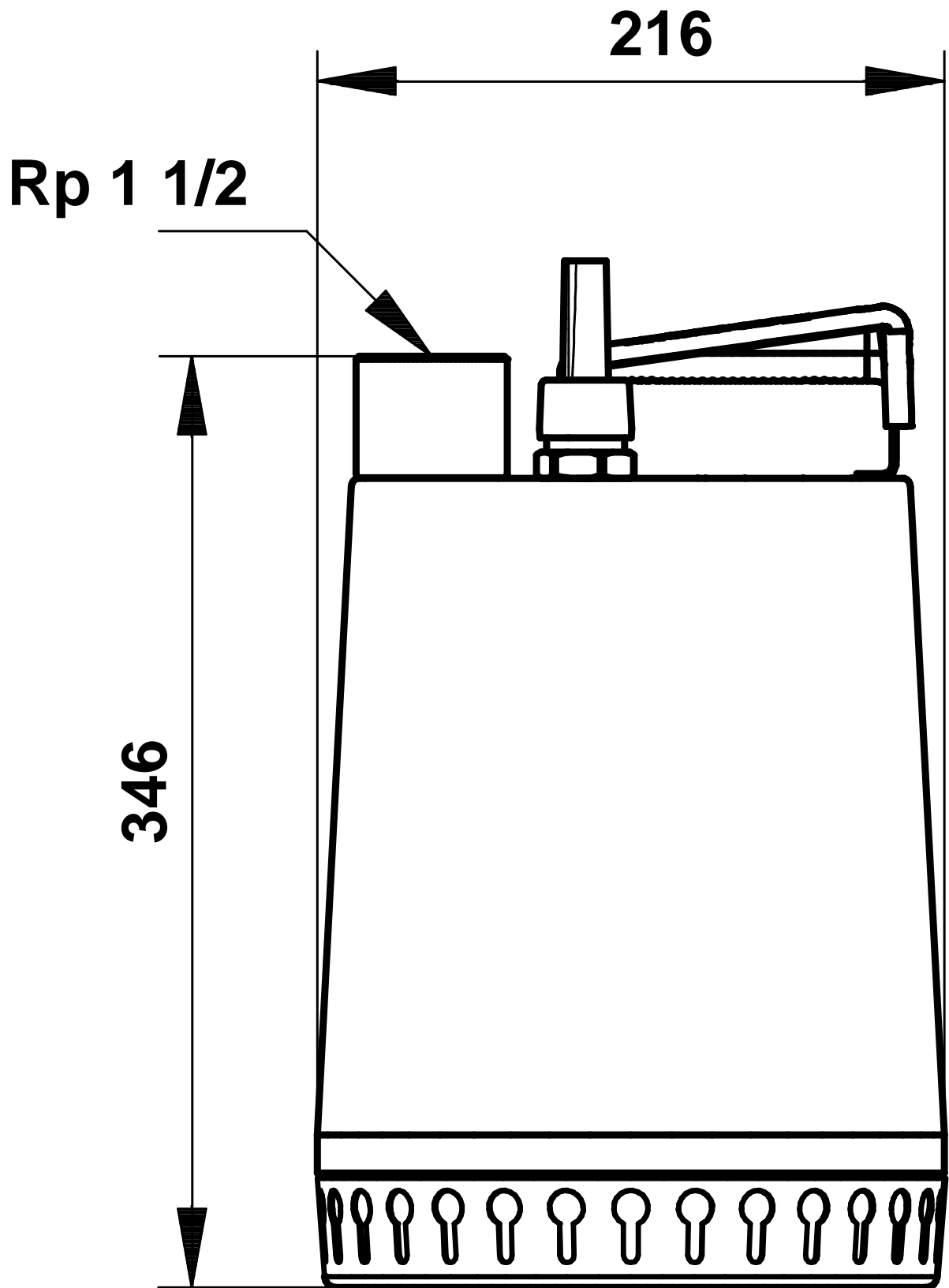
Position	Qty.	Description	Single Price
		Power input - P1: 1.2 kW Mains frequency: 50 Hz Rated voltage: 3 x 400 V Rated current: 2.1 A Cos phi - power factor: 0,87 Rated speed: 2810 rpm Enclosure class (IEC 34-5): IP68 Insulation class (IEC 85): F Length of cable: 10 m Type of cable plug: NONE  <b>Others:</b> Net weight: 12 kg Gross weight: 12.6 kg	

Description	Value
Product name:	Unilift AP12.40.08.3
Product No:	96001791
EAN number:	5700390897161
<b>Technical:</b>	
Max flow:	21 m <sup>3</sup> /h
Head max:	15 m
Type of impeller:	SEMI OPEN
Maximum particle size:	12 mm
Curve tolerance:	ISO 9906 Annex A
<b>Materials:</b>	
Pump housing:	Stainless steel 1.4301 DIN W.-Nr. 304 AISI
Impeller:	Stainless steel 1.4301 DIN W.-Nr. 304 AISI
<b>Installation:</b>	
Pump outlet:	Rp 1 1/2
Maximum installation depth:	10 m
Inst dry/wet:	D/S
Installation:	horizontal or vertical
<b>Liquid:</b>	
Liquid temperature range:	0 .. 55 °C
<b>Electrical data:</b>	
Power input - P1:	1.2 kW
P2:	0.8 kW
Mains frequency:	50 Hz
Rated voltage:	3 x 400 V
Rated current:	2.1 A
Cos phi - power factor:	0,87
Rated speed:	2810 rpm
Enclosure class (IEC 34-5):	IP68
Insulation class (IEC 85):	F
Motor protec:	NONE
Thermal protec:	external
Length of cable:	10 m
Type of cable plug:	NONE
<b>Others:</b>	
Net weight:	12 kg
Gross weight:	12.6 kg

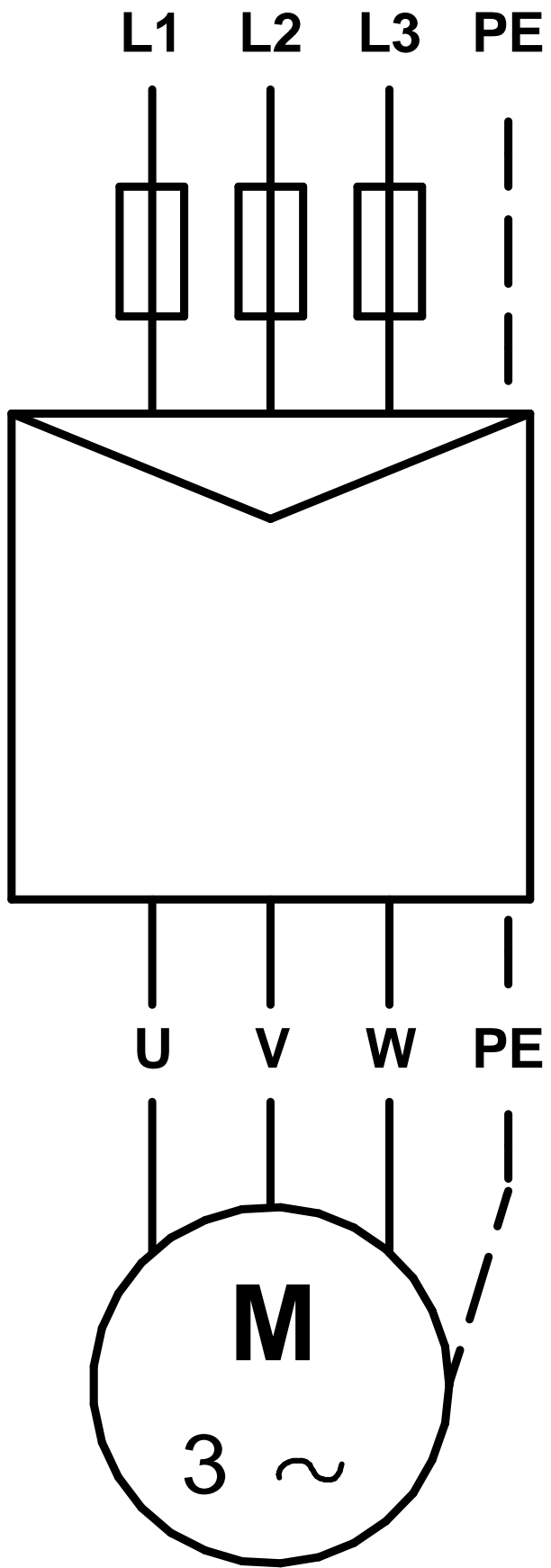


# 96001791 Unilift AP12.40.08.3





Note! All units are in [mm] unless others are stated.



Note! All units are in [mm] unless others are stated.