


AP12-50-11-3 (415V, 1.1kW, 1-9L/sec, 2-15m)

Contents:

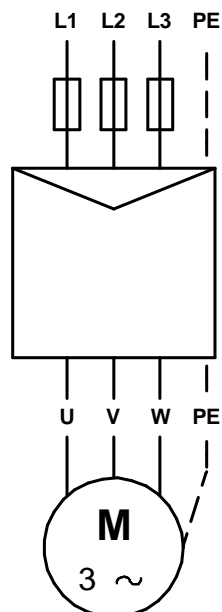
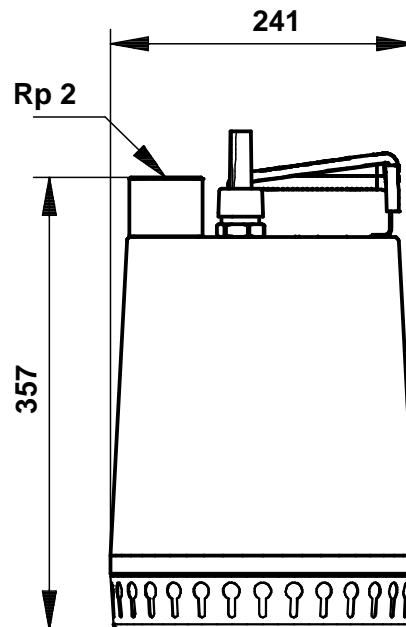
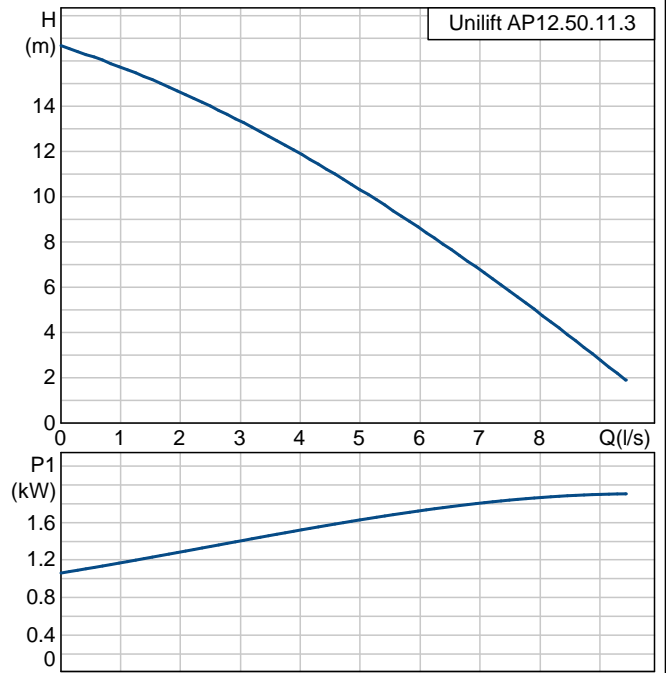
Unilift AP12.50.11.3 (96001975)	2
Quotation text	2
Quotation text incl. photo	3
Data sheet incl. curve	5
Pump curve	6
Dimensional drawing	7
Wiring diagram	8

Position	Qty.	Description	Single Price
	1	<p>Unilift AP12.50.11.3 Product No.: 96001975 Submersible drainage pump type</p> <p>Vertical single-stage stainless steel submersible pump with vertical discharge port and integrated submersible 3-phase totally enclosed motor in insulation class F. The pump is fitted with a suction strainer.</p> <p>The impeller is a SEMI OPEN impeller for 12 mm free passage suitable for pumping groundwater, surface water, rain water and similar.</p> <p>The pump has a double shaft seal and an intermediate oil chamber pre-filled with non-toxic special oil.</p> <p>The pump has a riser pipe, a cooling jacket for continuous cooling of the motor by the pumped liquid and long-life deep-groove greased-for-life ball bearings.</p> <p>The pump is ready for use as it is fitted with carrying handle and is supplied with a 10 m mains cable. The mains cable is of the plug type with glass sealing compound in the socket to prevent penetration of humidity into the stator windings.</p> <p>Liquid: Liquid temperature range: 0 .. 55 °C</p> <p>Technical: Type of impeller: SEMI OPEN Maximum particle size: 12 mm Curve tolerance: ISO 9906 Annex A</p> <p>Materials: Pump housing: Stainless steel 1.4301 DIN W.-Nr. 304 AISI Impeller: Stainless steel 1.4301 DIN W.-Nr. 304 AISI</p> <p>Installation: Pump outlet: Rp 2 Maximum installation depth: 10 m</p> <p>Electrical data: Power input - P1: 1.9 kW Mains frequency: 50 Hz Rated voltage: 3 x 400 V Rated current: 3.2 A Cos phi - power factor: 0,88 Rated speed: 2785 rpm Enclosure class (IEC 34-5): IP68 Insulation class (IEC 85): F Length of cable: 10 m Type of cable plug: NONE</p> <p>Others: Net weight: 15.6 kg Gross weight: 16.4 kg</p>	Price on request

Position	Qty.	Description	Single Price
	1	<p data-bbox="296 163 523 192">Unilift AP12.50.11.3</p>  <p data-bbox="683 589 1219 618">Note! Product picture may differ from actual product</p> <p data-bbox="296 645 655 703">Product No.: 96001975 Submersible drainage pump type</p> <p data-bbox="296 730 839 873">Vertical single-stage stainless steel submersible pump with vertical discharge port and integrated submersible 3-phase totally enclosed motor in insulation class F. The pump is fitted with a suction strainer.</p> <p data-bbox="296 900 759 1014">The impeller is a SEMI OPEN impeller for 12 mm free passage suitable for pumping groundwater, surface water, rain water and similar.</p> <p data-bbox="296 1041 820 1128">The pump has a double shaft seal and an intermediate oil chamber pre-filled with non-toxic special oil.</p> <p data-bbox="296 1155 807 1270">The pump has a riser pipe, a cooling jacket for continuous cooling of the motor by the pumped liquid and long-life deep-groove greased-for-life ball bearings.</p> <p data-bbox="296 1296 823 1471">The pump is ready for use as it is fitted with carrying handle and is supplied with a 10 m mains cable. The mains cable is of the plug type with glass sealing compound in the socket to prevent penetration of humidity into the stator windings.</p> <p data-bbox="296 1498 764 1556">Liquid: Liquid temperature range: 0 .. 55 °C</p> <p data-bbox="296 1583 863 1702">Technical: Type of impeller: SEMI OPEN Maximum particle size: 12 mm Curve tolerance: ISO 9906 Annex A</p> <p data-bbox="296 1729 863 1933">Materials: Pump housing: Stainless steel 1.4301 DIN W.-Nr. 304 AISI Impeller: Stainless steel 1.4301 DIN W.-Nr. 304 AISI</p> <p data-bbox="296 1960 716 2047">Installation: Pump outlet: Rp 2 Maximum installation depth: 10 m</p> <p data-bbox="296 2074 472 2103">Electrical data:</p>	Price on request

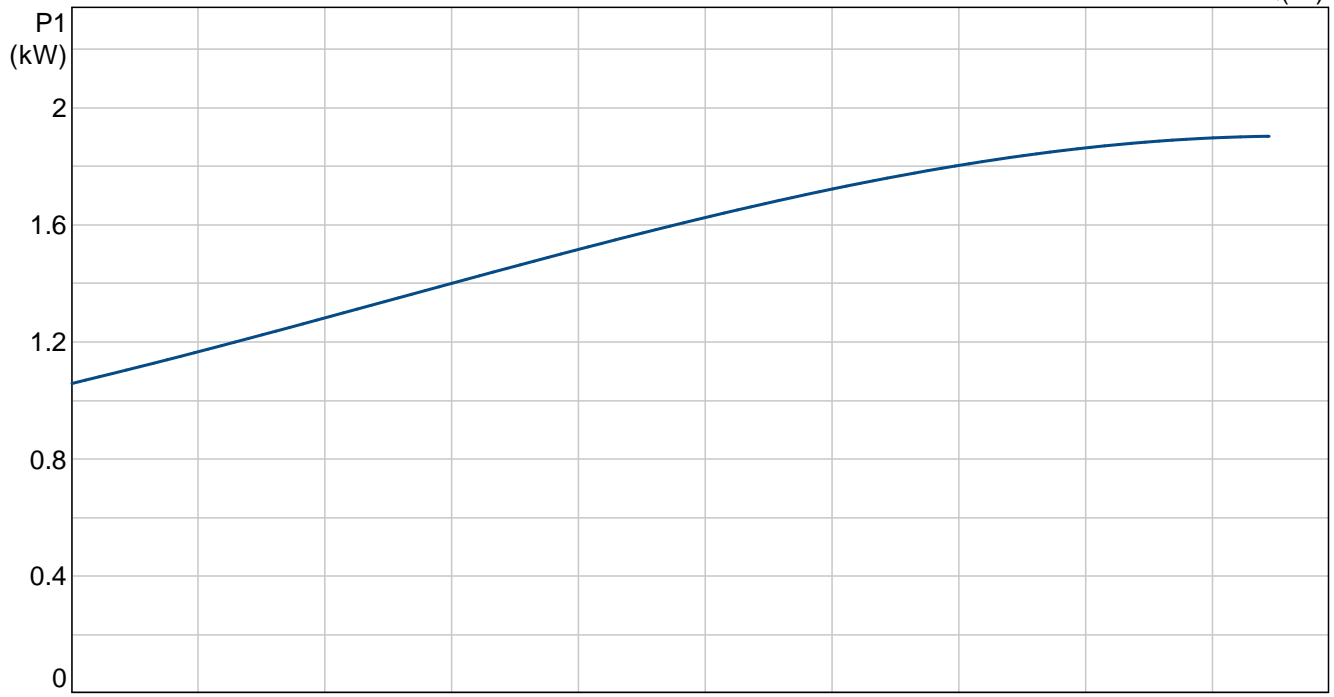
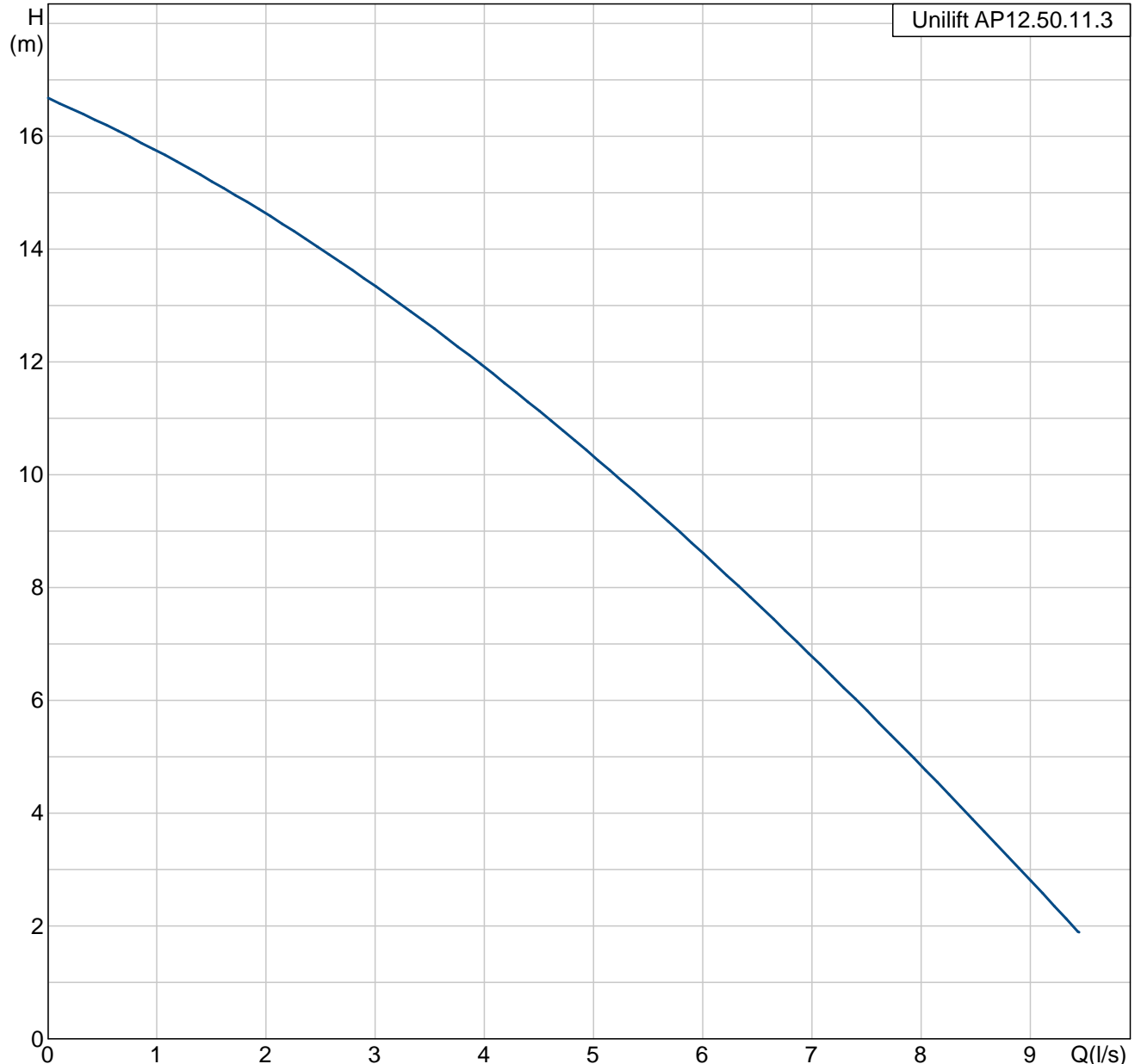
Position	Qty.	Description	Single Price
		Power input - P1: 1.9 kW Mains frequency: 50 Hz Rated voltage: 3 x 400 V Rated current: 3.2 A Cos phi - power factor: 0,88 Rated speed: 2785 rpm Enclosure class (IEC 34-5): IP68 Insulation class (IEC 85): F Length of cable: 10 m Type of cable plug: NONE Others: Net weight: 15.6 kg Gross weight: 16.4 kg	

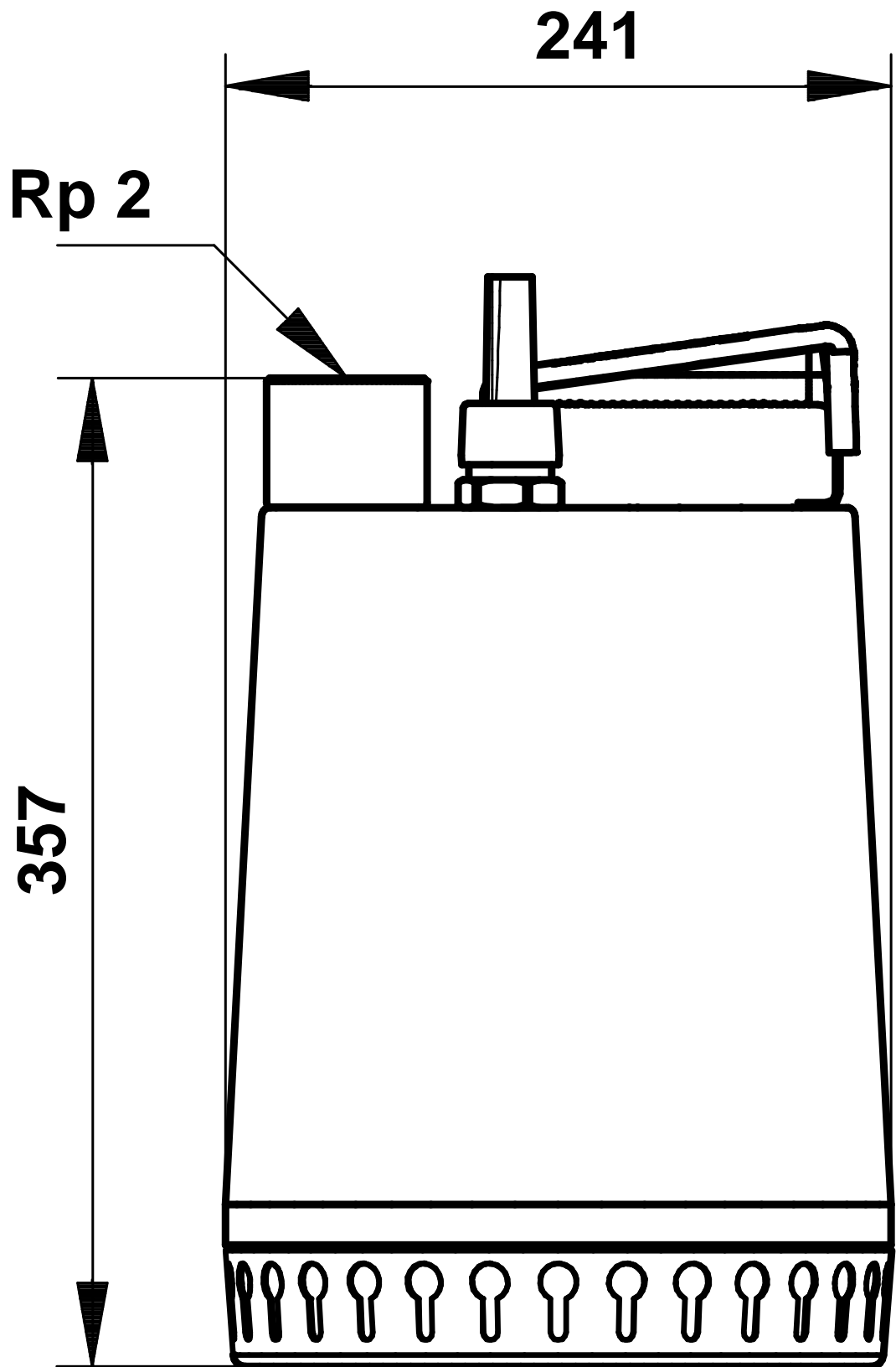
Description	Value
Product name:	Unilift AP12.50.11.3
Product No:	96001975
EAN number:	5700390897482
Technical:	
Max flow:	32 m ³ /h
Head max:	18 m
Type of impeller:	SEMI OPEN
Maximum particle size:	12 mm
Curve tolerance:	ISO 9906 Annex A
Materials:	
Pump housing:	Stainless steel 1.4301 DIN W.-Nr. 304 AISI
Impeller:	Stainless steel 1.4301 DIN W.-Nr. 304 AISI
Installation:	
Pump outlet:	Rp 2
Maximum installation depth:	10 m
Inst dry/wet:	D/S
Installation:	horizontal or vertical
Liquid:	
Liquid temperature range:	0 .. 55 °C
Electrical data:	
Power input - P1:	1.9 kW
P2:	1.2 kW
Mains frequency:	50 Hz
Rated voltage:	3 x 400 V
Rated current:	3.2 A
Cos phi - power factor:	0,88
Rated speed:	2785 rpm
Enclosure class (IEC 34-5):	IP68
Insulation class (IEC 85):	F
Motor protec:	NONE
Thermal protec:	external
Length of cable:	10 m
Type of cable plug:	NONE
Others:	
Net weight:	15.6 kg
Gross weight:	16.4 kg



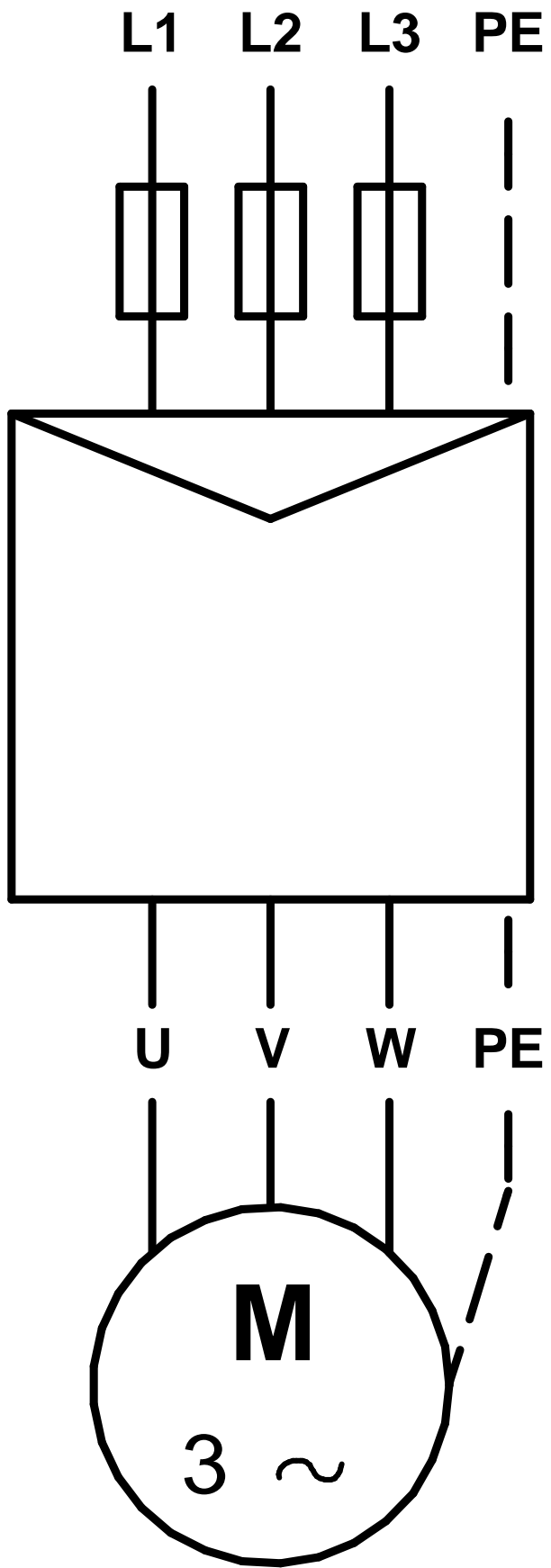
96001975 Unilift AP12.50.11.3

Unilift AP12.50.11.3





Note! All units are in [mm] unless others are stated.



Note! All units are in [mm] unless others are stated.