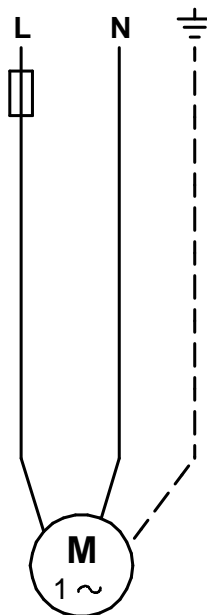
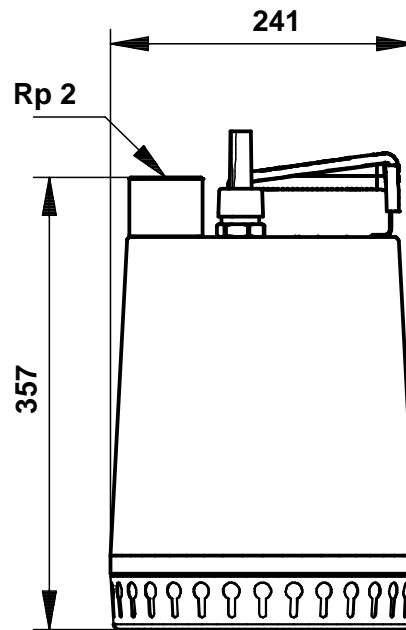
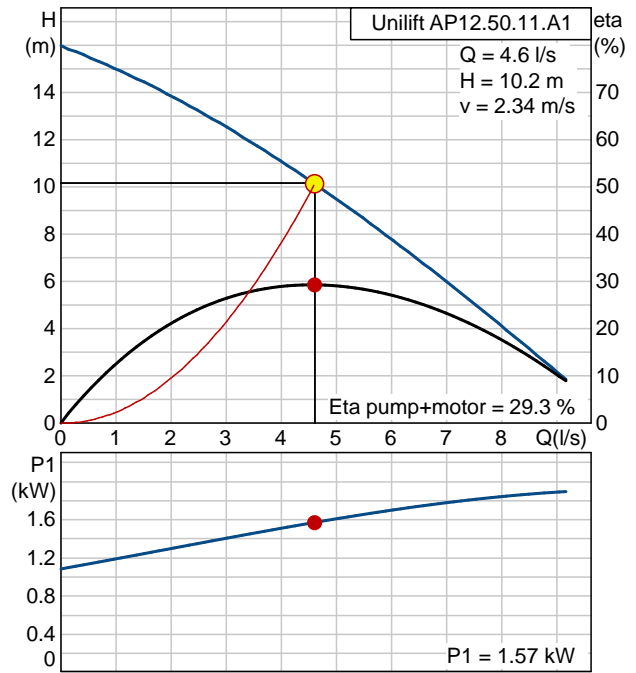


AP12-50-11-A1 (240V, 1.1kW, 1-9L/sec, 2-15m)

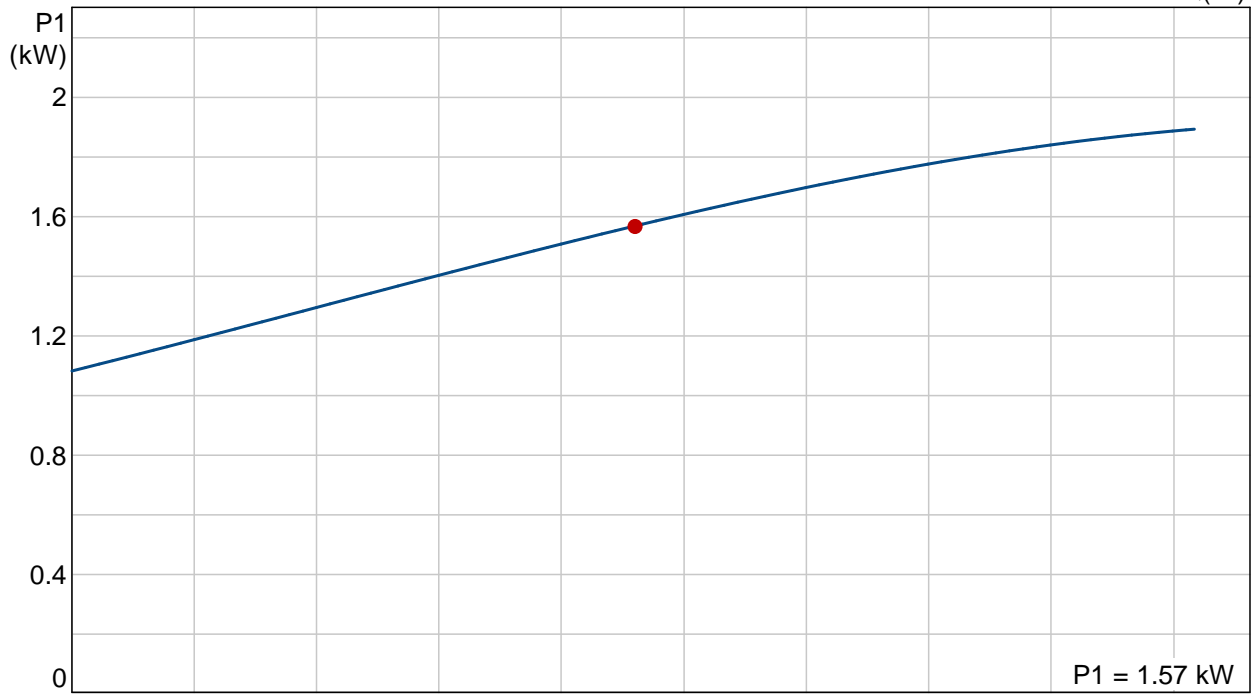
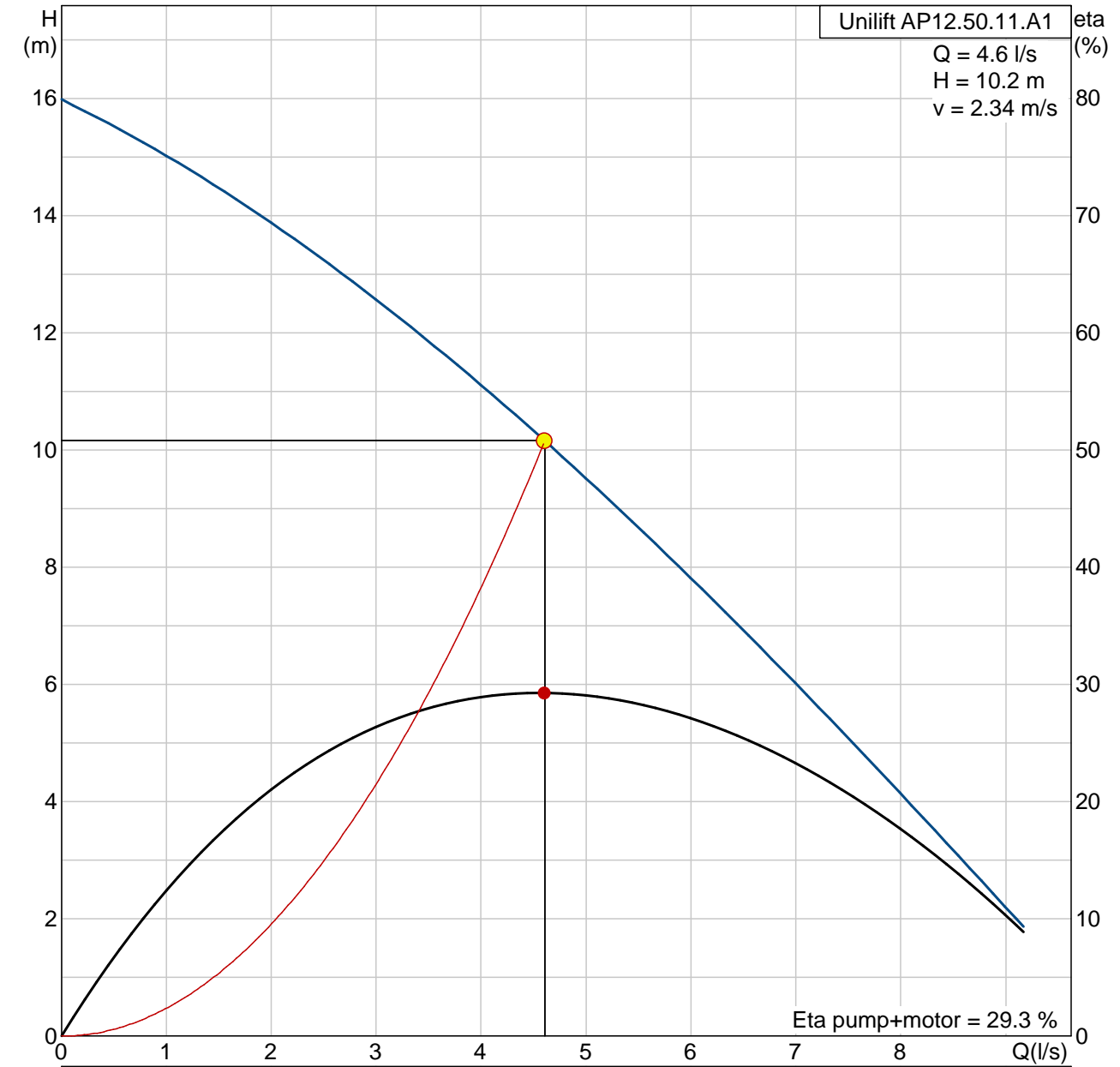
Contents:

Unilift AP12.50.11.A1 (96001971)	2
Data sheet incl. curve	2
Pump curve	3
Dimensional drawing	4
Wiring diagram	5

Description	Value
Product name:	Unilift AP12.50.11.A1
Product No:	96001971
EAN number:	5700390476373
Technical:	
Max flow:	30 m ³ /h
Head max:	17 m
Type of impeller:	SEMI OPEN
Maximum particle size:	12 mm
Curve tolerance:	ISO 9906 Annex A
Materials:	
Pump housing:	Stainless steel 1.4301 DIN W.-Nr. 304 AISI
Impeller:	Stainless steel 1.4301 DIN W.-Nr. 304 AISI
Installation:	
Pump outlet:	Rp 2
Maximum installation depth:	10 m
Inst dry/wet:	D/S
Installation:	horizontal or vertical
Liquid:	
Liquid temperature range:	0 .. 55 °C
Electrical data:	
Type of motor:	PSC
Power input - P1:	1.7 kW
P2:	1.1 kW
Mains frequency:	50 Hz
Rated voltage:	1 x 230 V
Rated current:	8.5 A
Cos phi - power factor:	0,92
Rated speed:	2760 rpm
Capacitor size - run:	20 µF/400 V
Enclosure class (IEC 34-5):	IP68
Insulation class (IEC 85):	F
Motor protec:	CONTACT
Thermal protec:	internal
Length of cable:	3 m
Type of cable plug:	AU
Controls:	
Level switch:	float switch
Others:	
Net weight:	15.1 kg
Gross weight:	15.9 kg

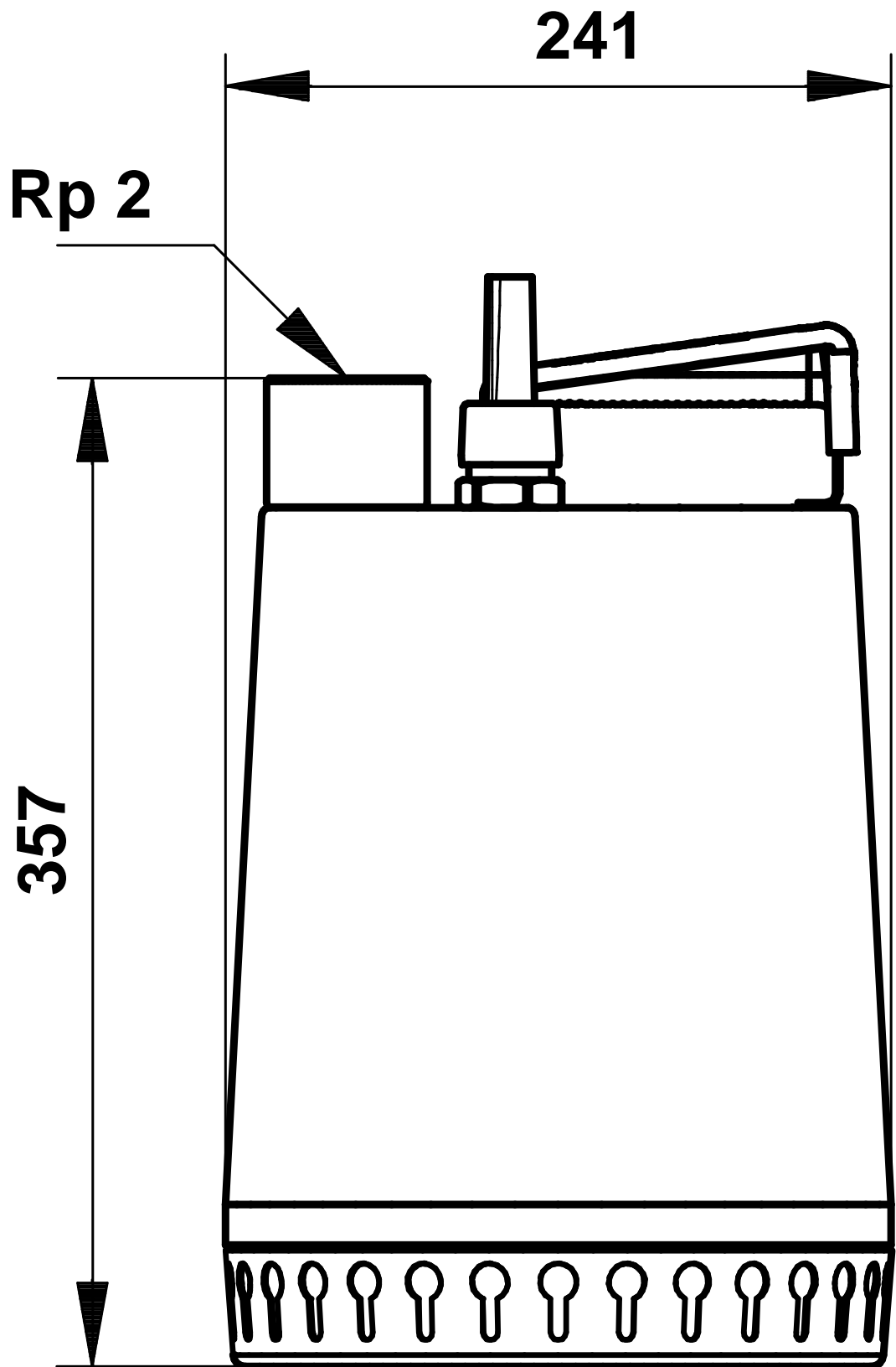


96001971 Unilift AP12.50.11.A1

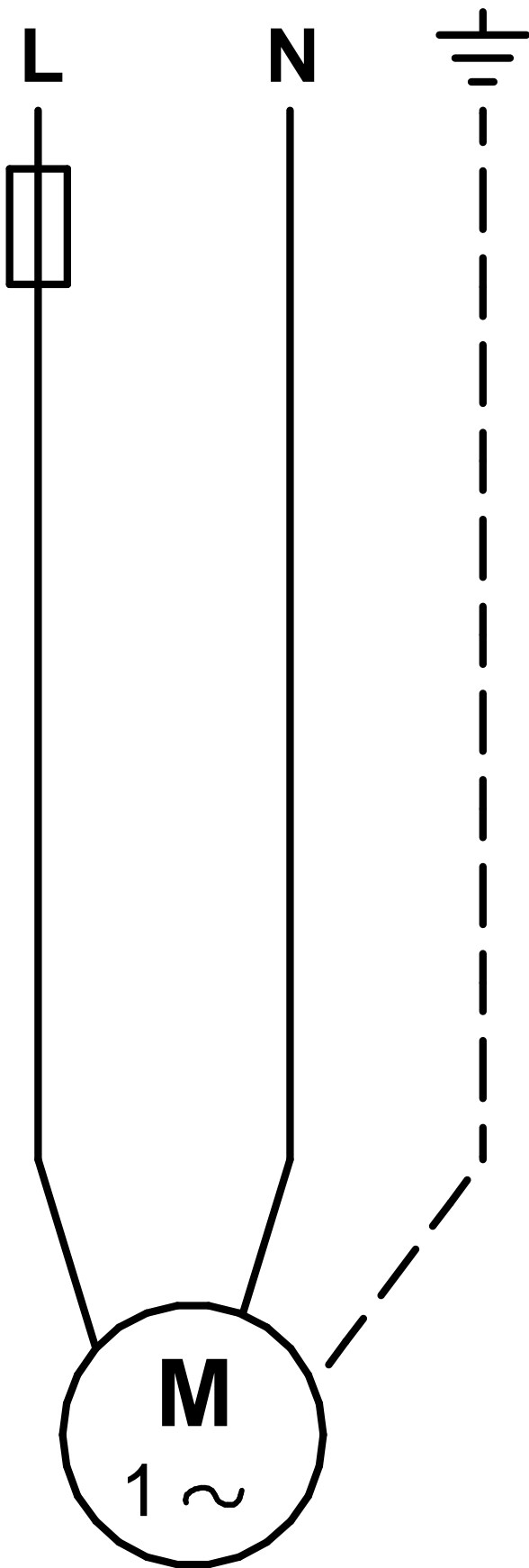


Eta pump+motor = 29.3 %

P1 = 1.57 kW



Note! All units are in [mm] unless others are stated.



Note! All units are in [mm] unless others are stated.