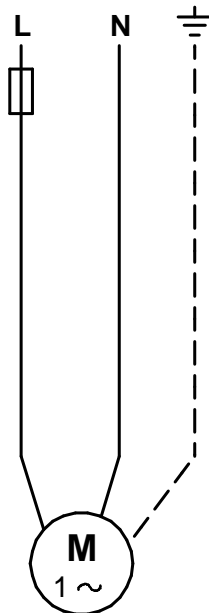
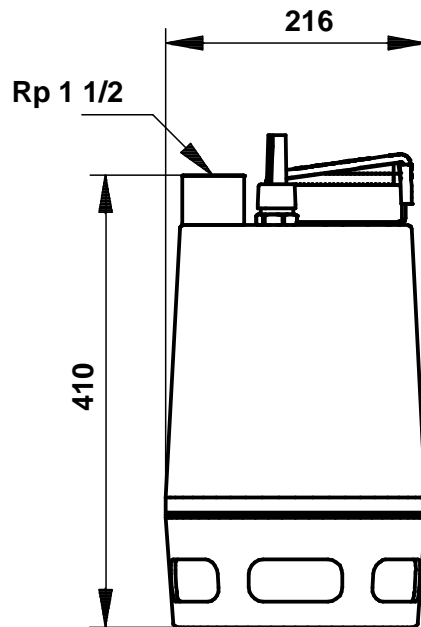
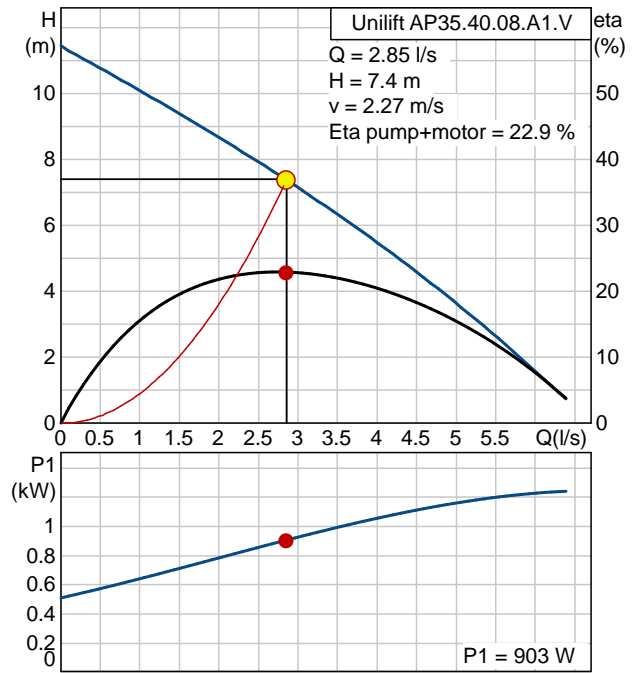


# AP35-40-08-A1 (240V,0.7kW,0.5-6L/sec,1-11m)

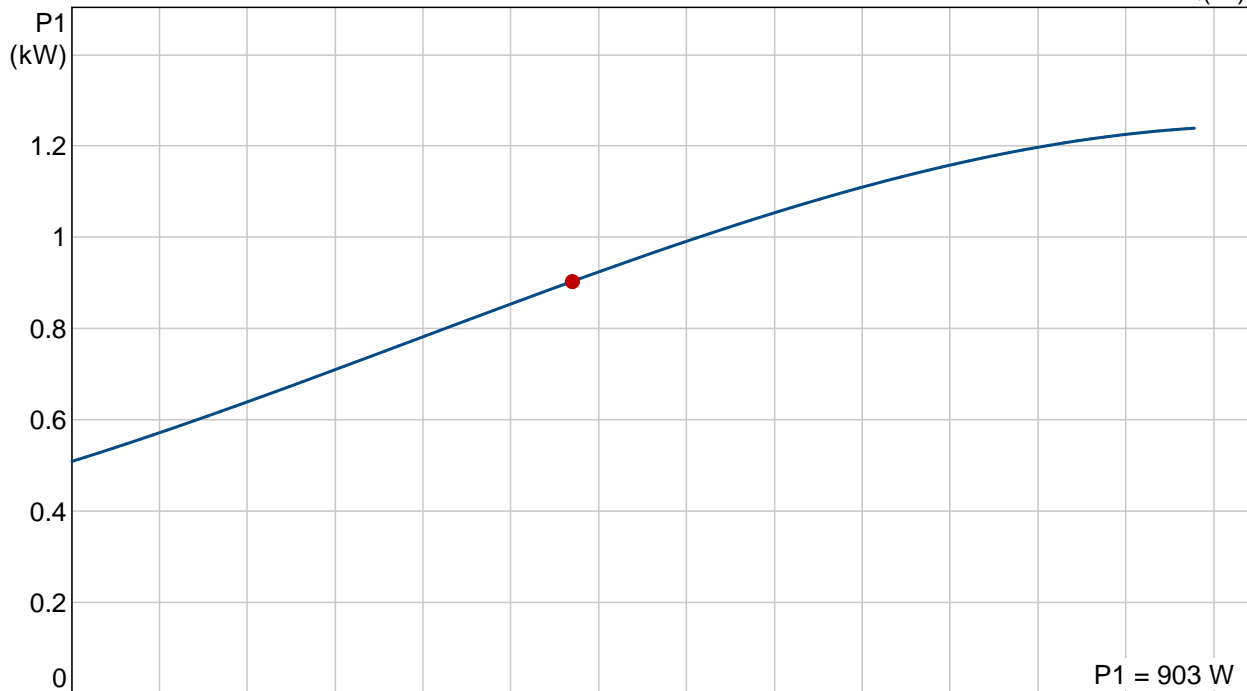
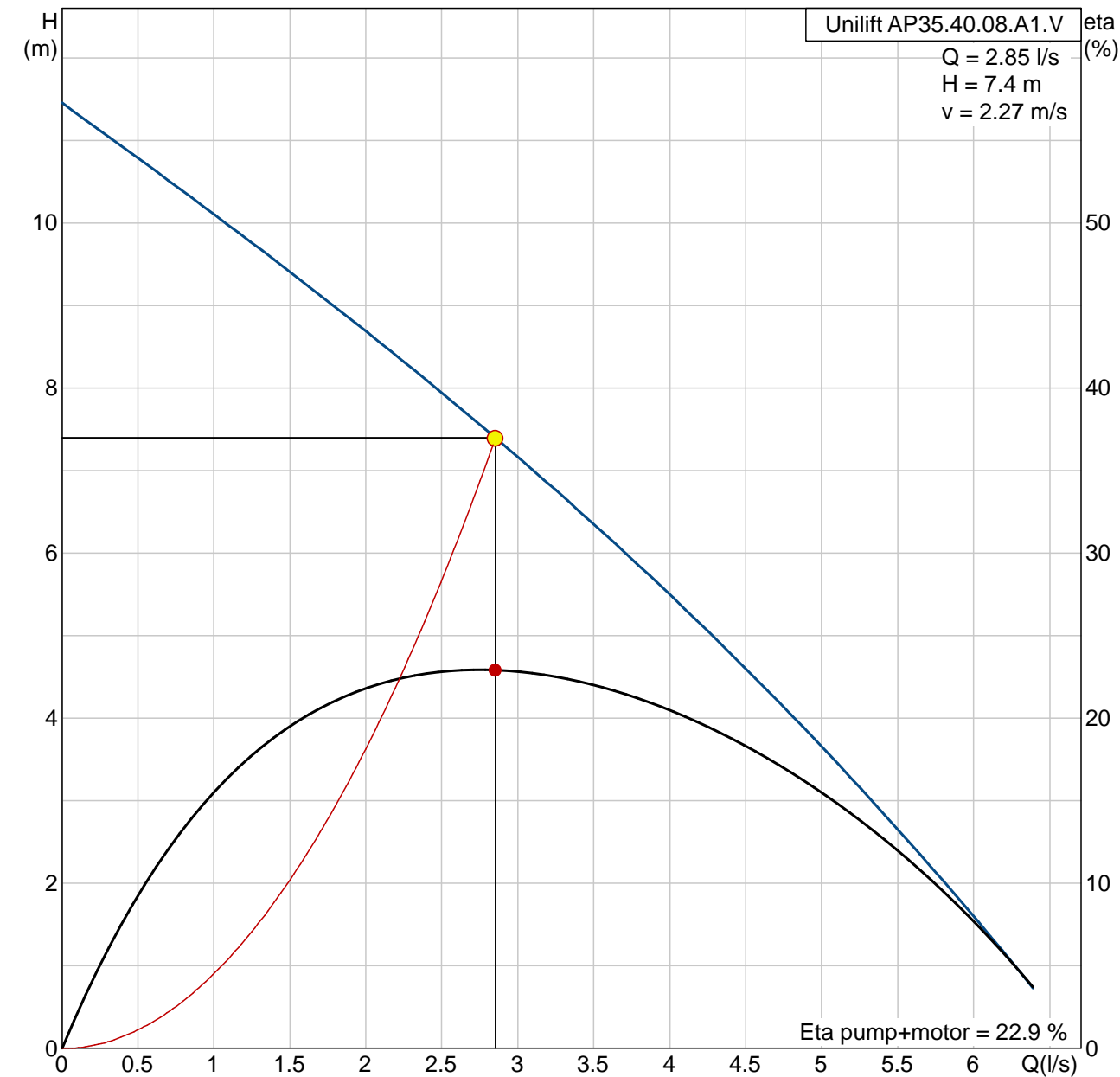
## Contents:

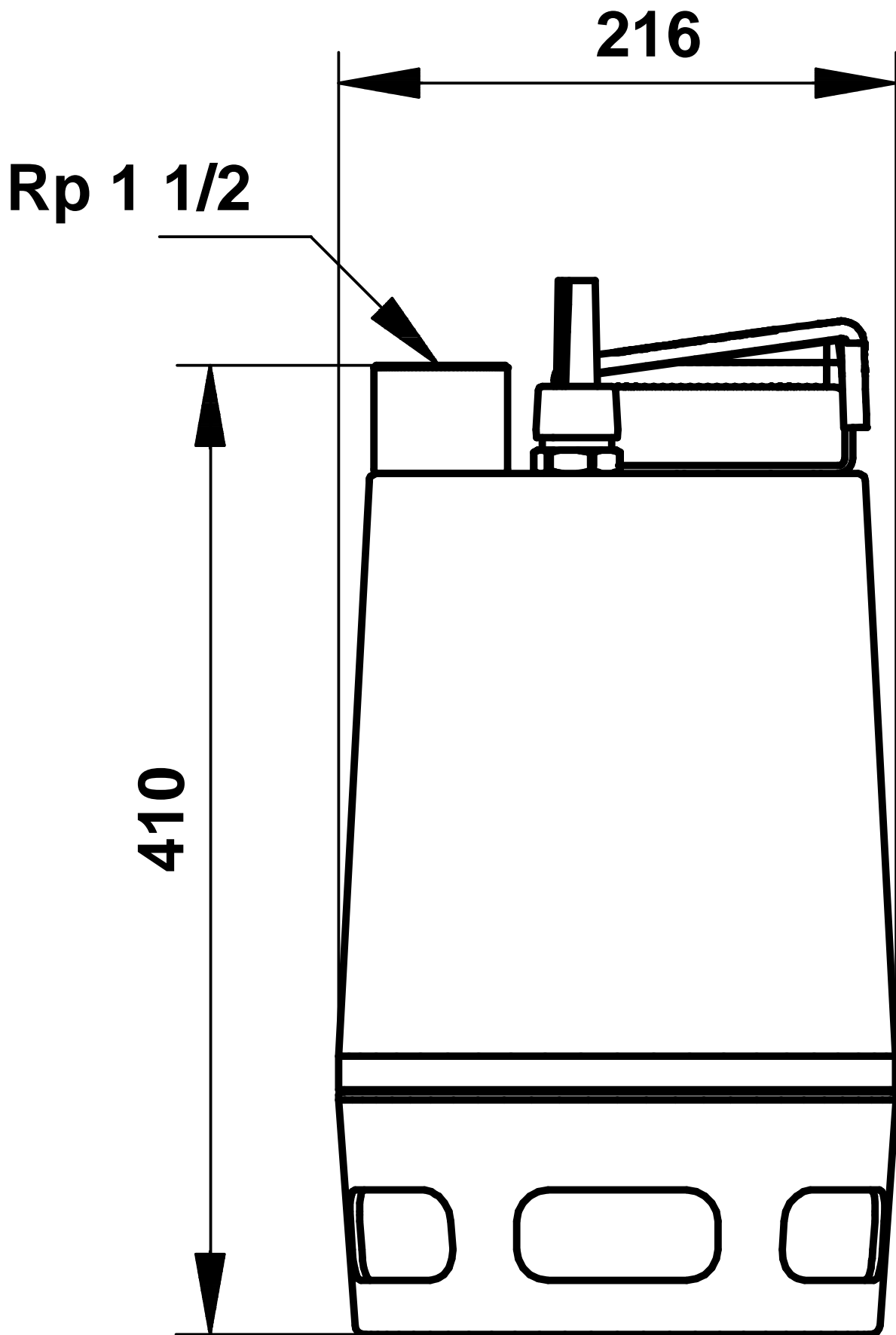
Unilift AP35.40.08.A1.V (96404184) .....	2
Data sheet incl. curve .....	2
Pump curve .....	3
Dimensional drawing .....	4
Wiring diagram .....	5

Description	Value
Product name:	Unilift AP35.40.08.A1.V
Product No:	96404184
EAN number:	5700390910389
Technical:	
Max flow:	18 m <sup>3</sup> /h
Head max:	11 m
Type of impeller:	VORTEX
Maximum particle size:	35 mm
Curve tolerance:	ISO 9906 Annex A
Materials:	
Pump housing:	Stainless steel 1.4301 DIN W.-Nr. 304 AISI
Impeller:	Stainless steel 1.4301 DIN W.-Nr. 304 AISI
Installation:	
Pump outlet:	Rp 1 1/2
Maximum installation depth:	10 m
Inst dry/wet:	D/S
Installation:	horizontal or vertical
Liquid:	
Liquid temperature range:	0 .. 55 °C
Electrical data:	
Type of motor:	PSC
Power input - P1:	1.2 kW
P2:	0.7 kW
Mains frequency:	50 Hz
Rated voltage:	1 x 230 V
Rated current:	5.5 A
Cos phi - power factor:	0,98
Rated speed:	2795 rpm
Capacitor size - run:	16 µF/400 V
Enclosure class (IEC 34-5):	IP68
Insulation class (IEC 85):	F
Motor protec:	CONTACT
Thermal protec:	internal
Length of cable:	10 m
Type of cable plug:	NONE
Controls:	
Level switch:	float switch
Others:	
Net weight:	13.5 kg
Gross weight:	14.1 kg

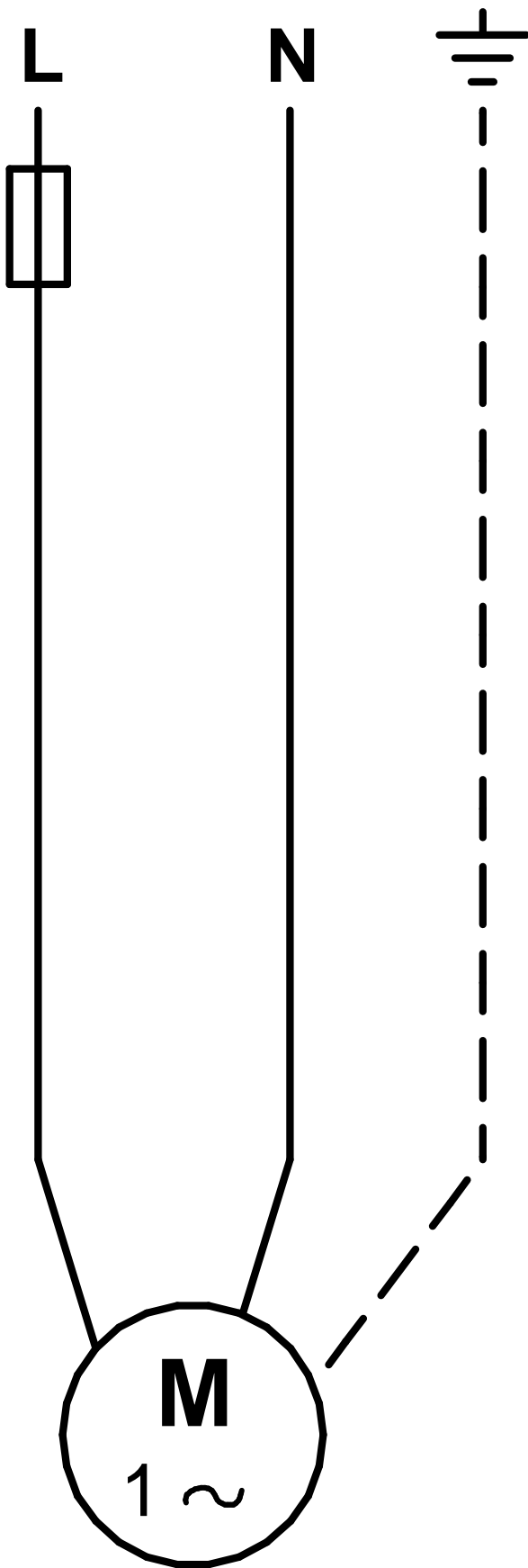


# 96404184 Unilift AP35.40.08.A1.V





Note! All units are in [mm] unless others are stated.



Note! All units are in [mm] unless others are stated.