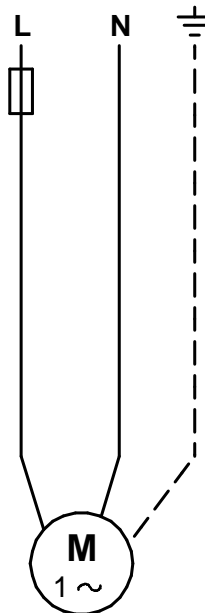
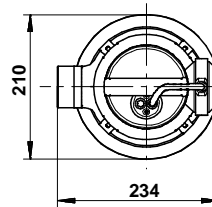
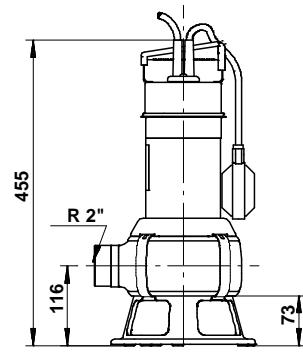
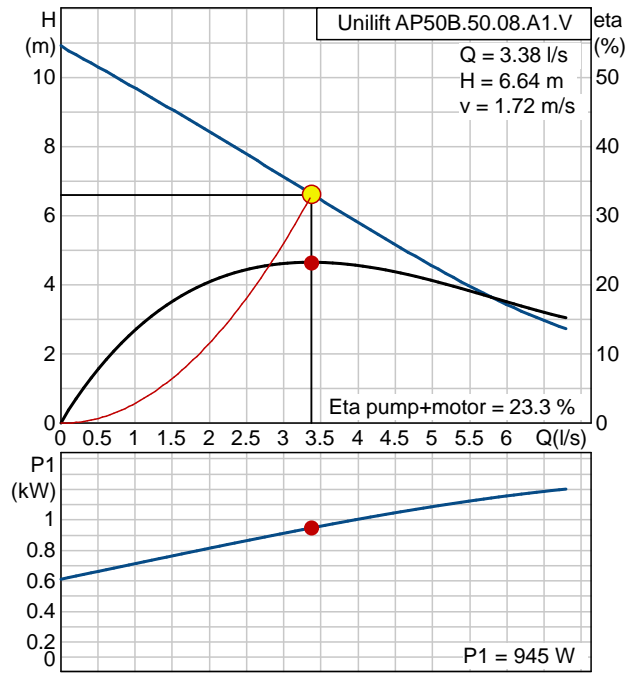


# AP50B-50-08-A1 (240V,0.74kW,0.5-6.5L/sec,3-10m)

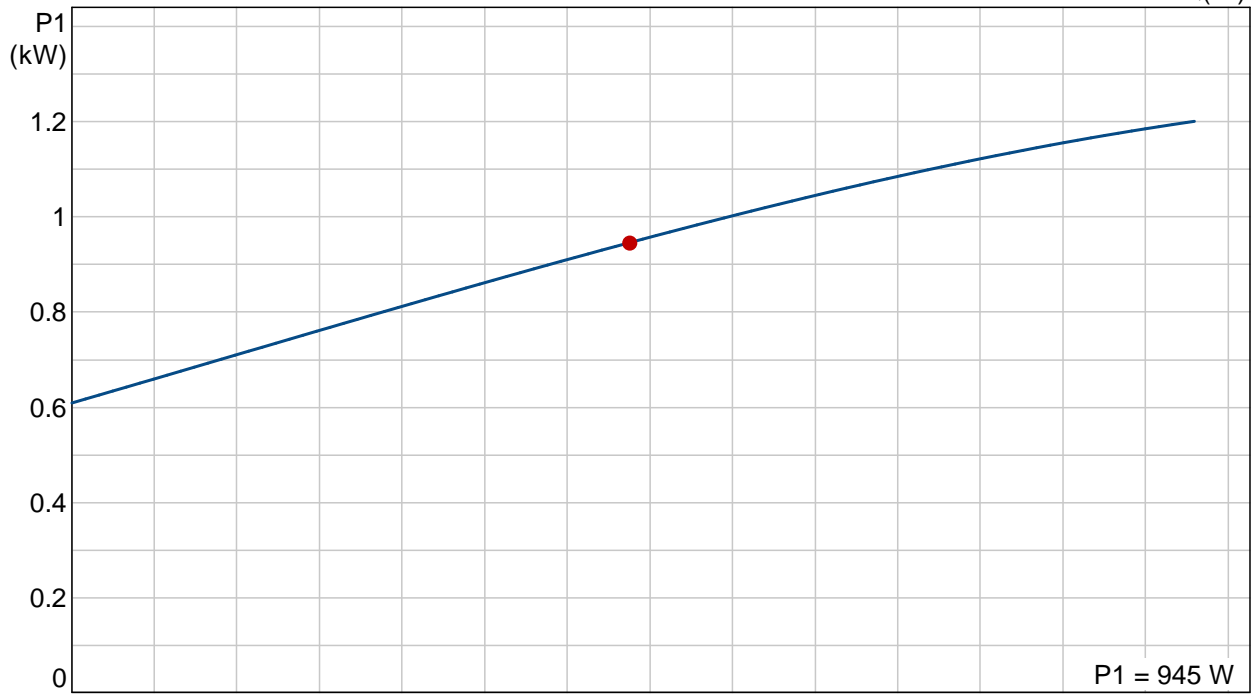
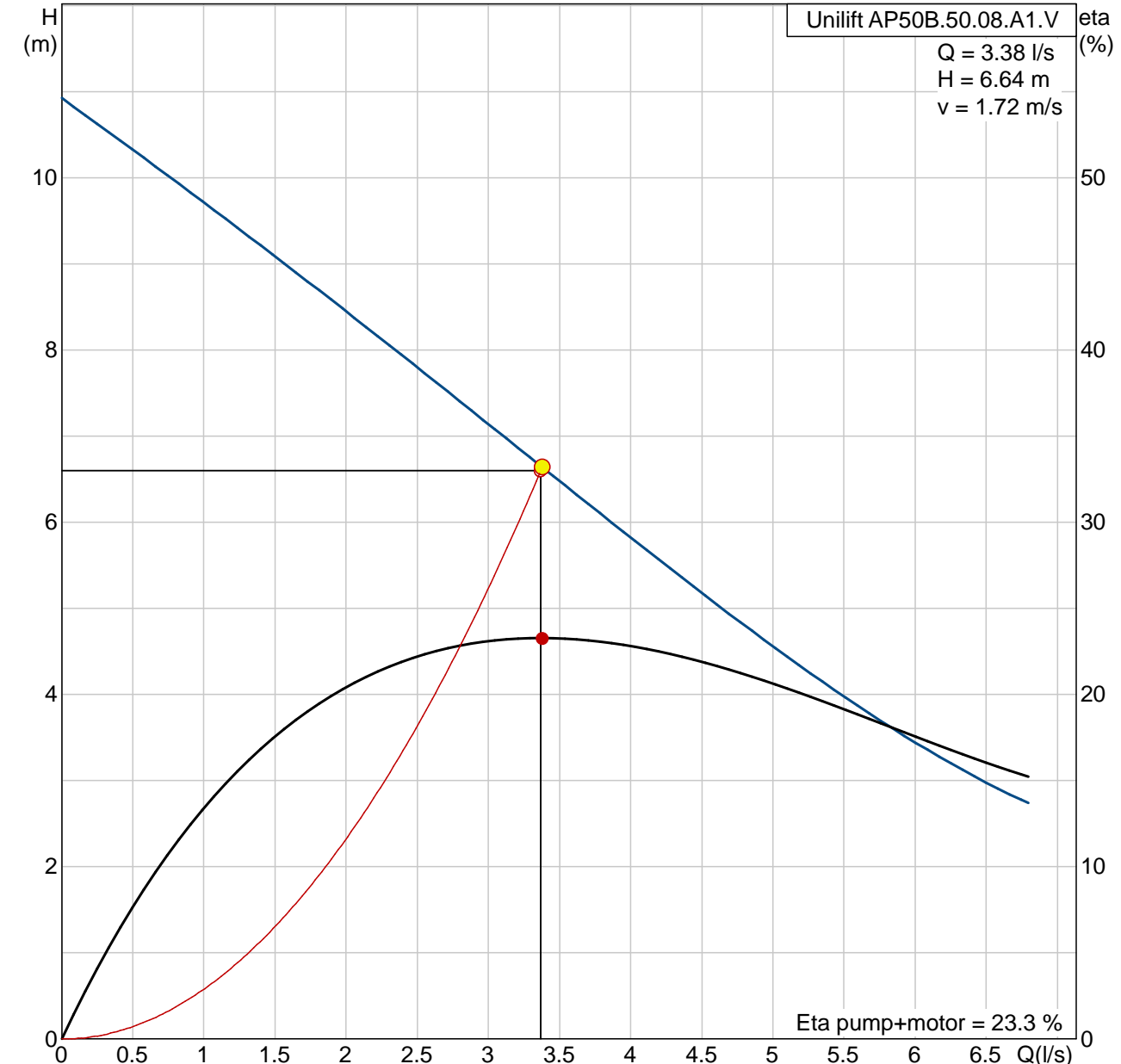
## Contents:

Unilift AP50B.50.08.A1.V (96468354) .....	2
Data sheet incl. curve .....	2
Pump curve .....	3
Dimensional drawing .....	4
Wiring diagram .....	5

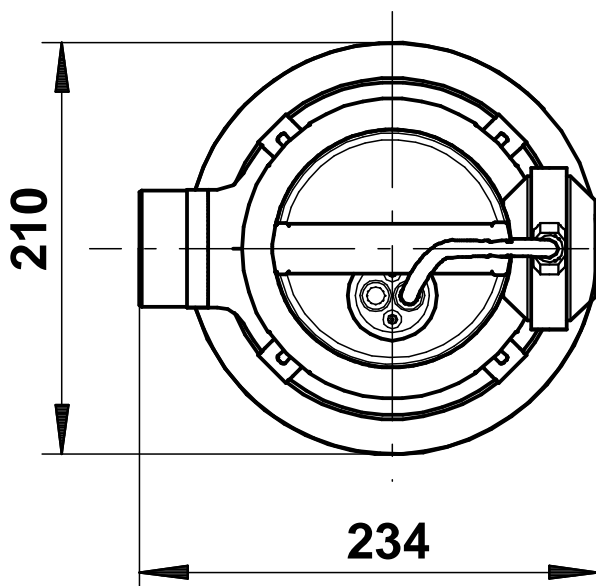
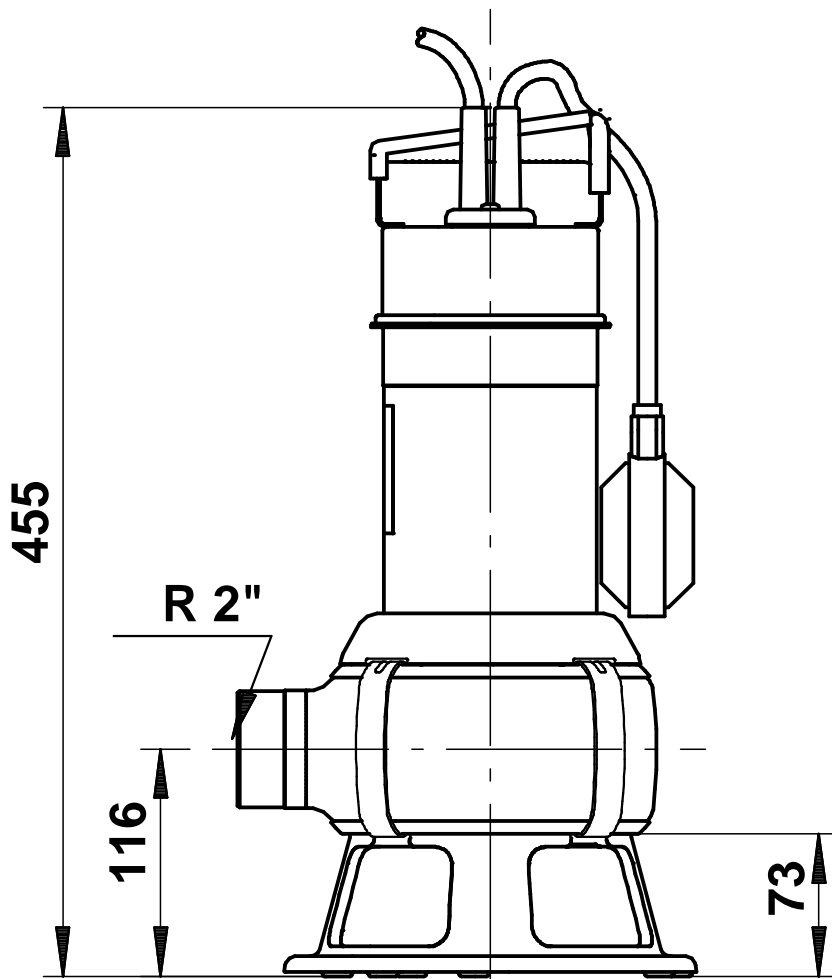
Description	Value
Product name:	Unilift AP50B.50.08.A1.V
Product No:	96468354
EAN number:	5700394943666
<b>Technical:</b>	
Max flow:	24 m <sup>3</sup> /h
Head max:	11 m
Type of impeller:	VORTEX
Maximum particle size:	50 mm
Curve tolerance:	ISO 9906 Annex A
<b>Materials:</b>	
Pump housing:	Stainless steel 1.4301 DIN W.-Nr. 304 AISI
Impeller:	Stainless steel 1.4301 DIN W.-Nr. 304 AISI
<b>Installation:</b>	
Pump outlet:	R 2"
Maximum installation depth:	7 m
Installation:	horizontal or vertical
<b>Liquid:</b>	
Maximum liquid temperature:	40 °C
<b>Electrical data:</b>	
Type of motor:	PSC
Power input - P1:	1.2 kW
P2:	0.74 kW
Mains frequency:	50 Hz
Rated voltage:	1 x 230 V
Rated current:	5.37 A
Cos phi - power factor:	0,97
Rated speed:	2790 rpm
Capacitor size - run:	16 µF/400 V
Enclosure class (IEC 34-5):	IP68
Insulation class (IEC 85):	F
Motor protec:	CONTACT
Thermal protec:	internal
Length of cable:	10 m
Type of cable plug:	SCHUKO
<b>Controls:</b>	
Level switch:	float switch



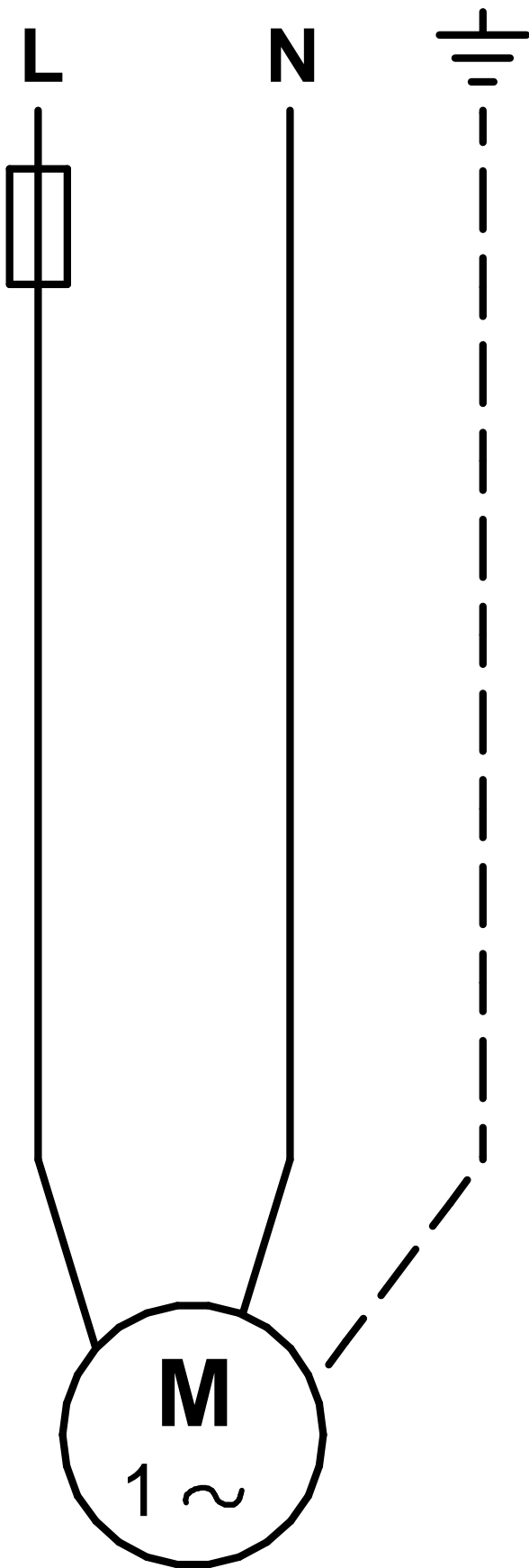
# 96468354 Unilift AP50B.50.08.A1.V



96468354 Unilift AP50B.50.08.A1.V



Note! All units are in [mm] unless others are stated.



Note! All units are in [mm] unless others are stated.