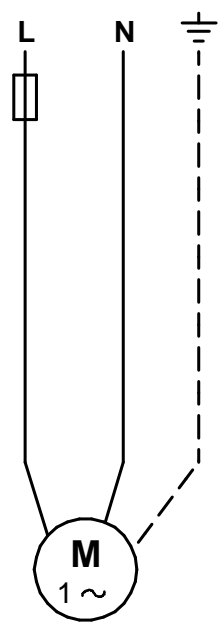
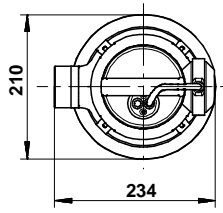
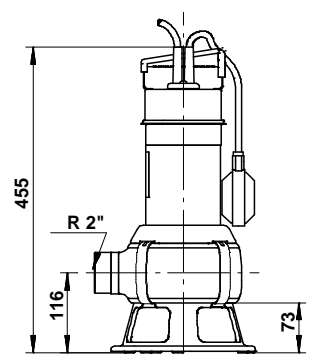
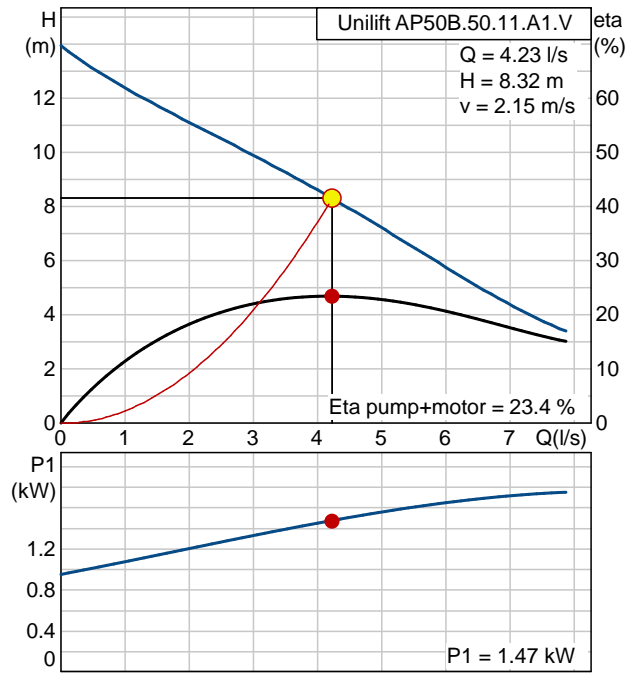


AP50B-50-11-A1 (240V, 1.1kW, 1-7.5L/sec, 4-13m)

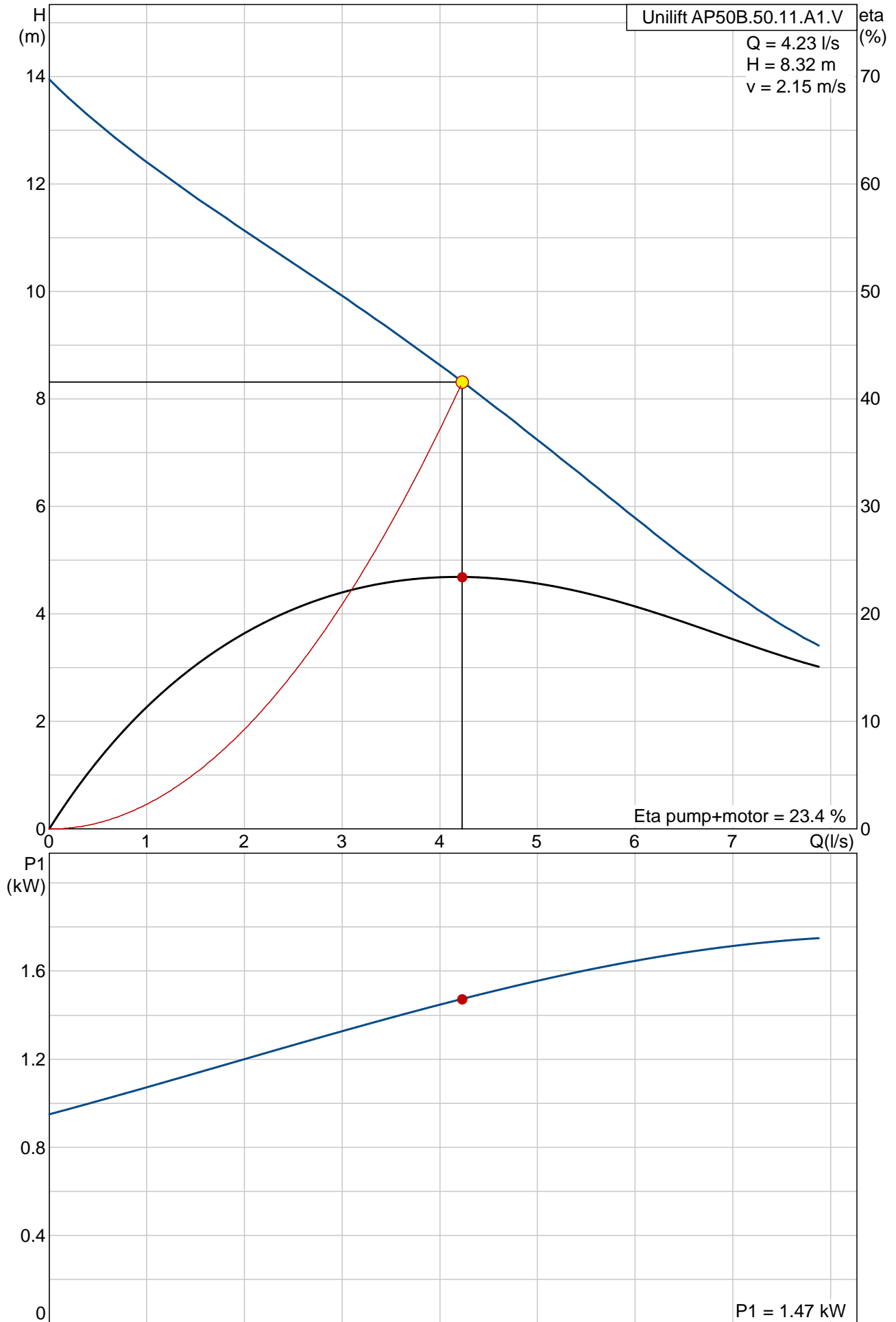
Contents:

Unilift AP50B.50.11.A1.V (96468352)	2
Data sheet incl. curve	2
Pump curve	3
Dimensional drawing	4
Wiring diagram	5

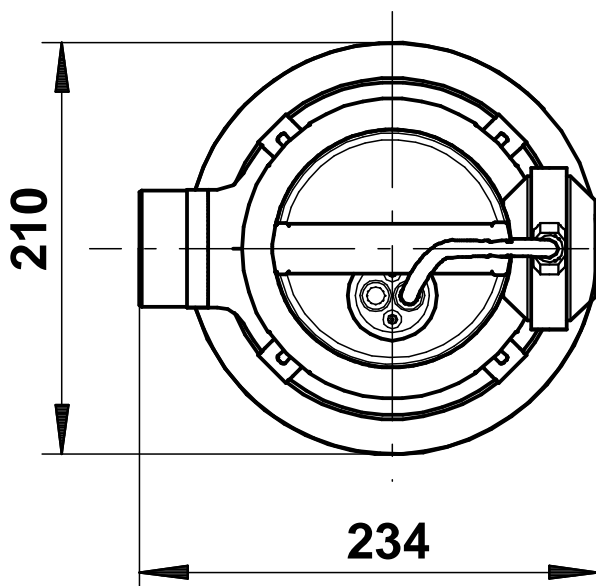
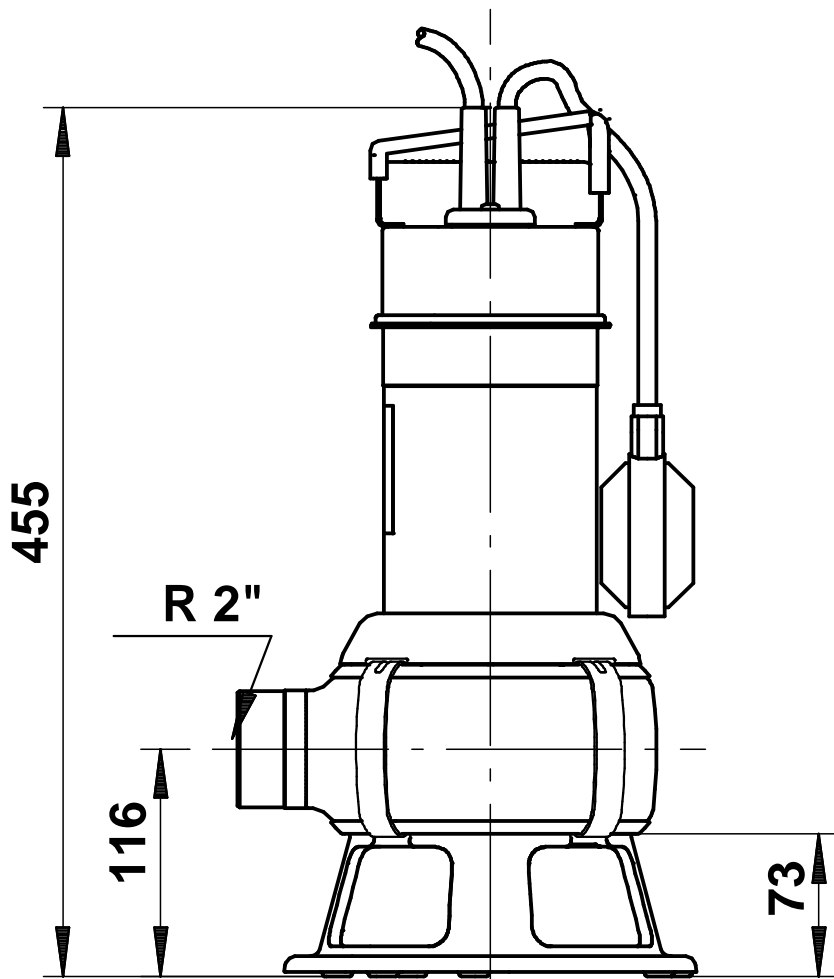
Description	Value
Product name:	Unilift AP50B.50.11.A1.V
Product No:	96468352
EAN number:	5700394943390
Technical:	
Max flow:	28 m³/h
Head max:	14 m
Type of impeller:	VORTEX
Maximum particle size:	50 mm
Curve tolerance:	ISO 9906 Annex A
Materials:	
Pump housing:	Stainless steel 1.4301 DIN W.-Nr. 304 AISI
Impeller:	Stainless steel 1.4301 DIN W.-Nr. 304 AISI
Installation:	
Pump outlet:	R 2"
Maximum installation depth:	7 m
Installation:	horizontal or vertical
Liquid:	
Maximum liquid temperature:	40 °C
Electrical data:	
Type of motor:	PSC
Power input - P1:	1.75 kW
P2:	1.21 kW
Mains frequency:	50 Hz
Rated voltage:	1 x 230 V
Rated current:	8 A
Cos phi - power factor:	0,95
Rated speed:	2760 rpm
Capacitor size - run:	20 µF/400 V
Enclosure class (IEC 34-5):	IP68
Insulation class (IEC 85):	F
Motor protec:	CONTACT
Thermal protec:	internal
Length of cable:	10 m
Type of cable plug:	SCHUKO
Controls:	
Level switch:	float switch



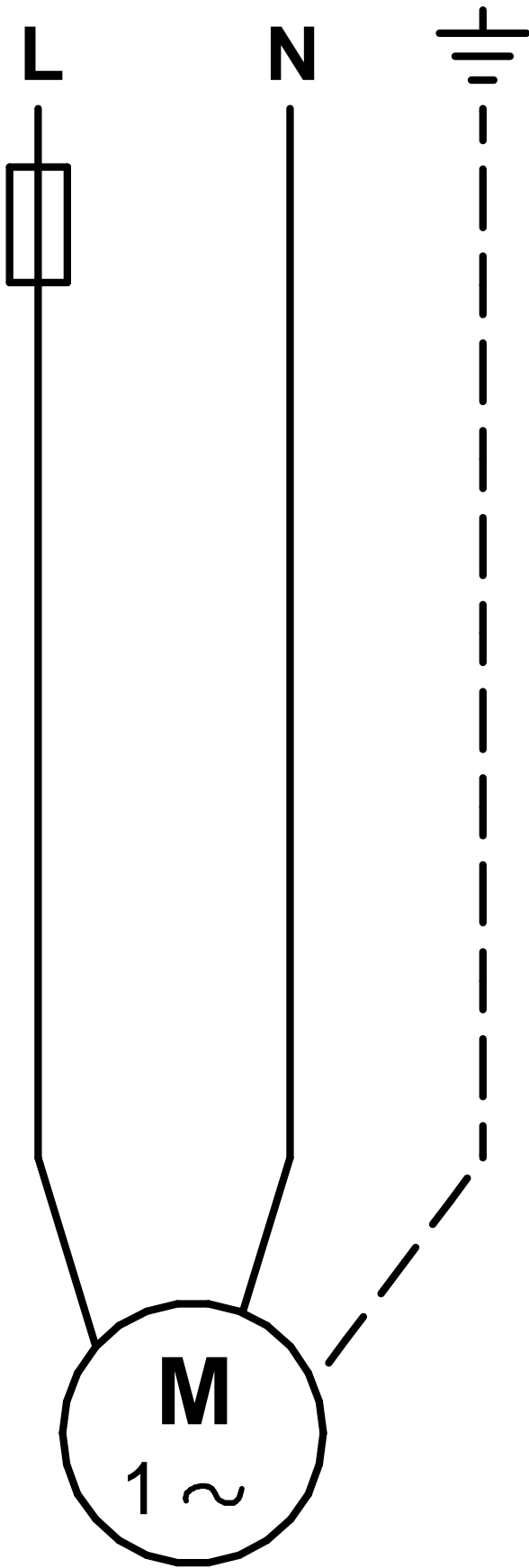
96468352 Unilift AP50B.50.11.A1.V



96468352 Unilift AP50B.50.11.A1.V



Note! All units are in [mm] unless others are stated.



Note! All units are in [mm] unless others are stated.