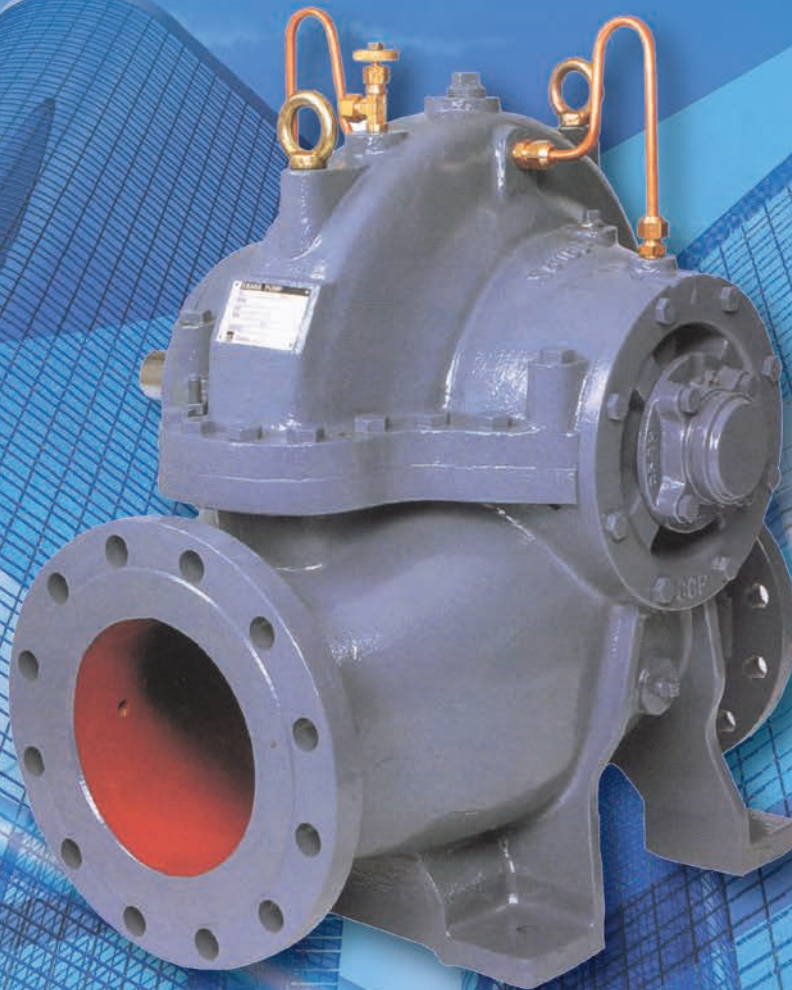




EBARA

Horizontal Split Case Pumps

Model **CNA**



Specifications

- Horizontal axially split case centrifugal pump
- 80 mm to 350 mm discharge sizes
- Maximum working pressure: 16 bar
- Liquid temperature: up to 80 °C
- Seal flushing pipework and air vent valve supplied
- JIS 16 K RF flanges
- Slip on companion flanges available - suit schedule 40 pipe

Features

- Compact and robust design
- Quality mechanical seals and bearing units
- Double entry impeller
- High operating efficiencies

Applications

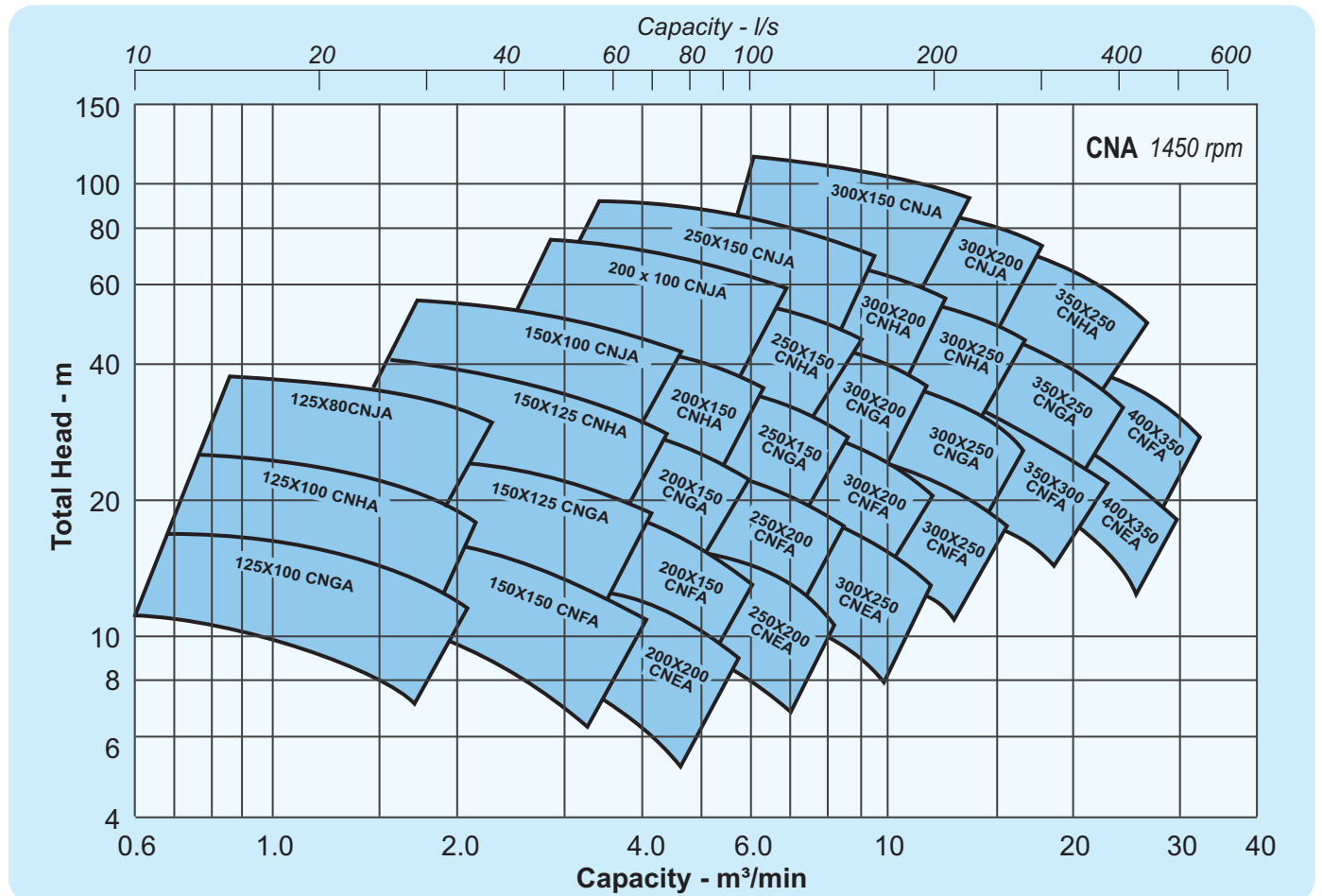
- Water supply
- Irrigation
- Sprinklers
- Cooling towers
- Industrial use
- Hot and cold water circulation
- Airconditioning
- Drainage

Model code 300 x 250 CNEA
 Suction size Ø mm Discharge size Ø mm Impeller code

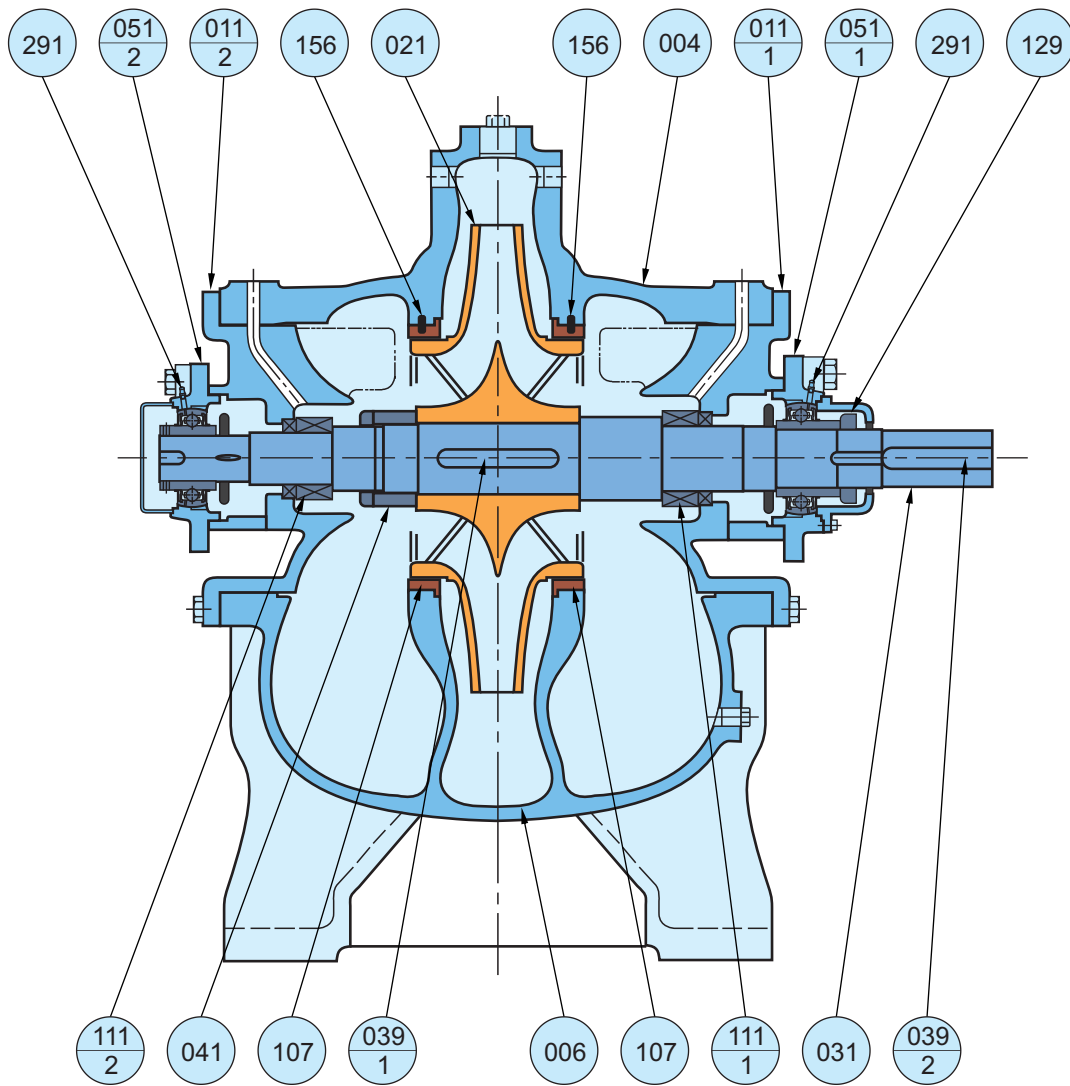
ØDs x ØDd Model	Max. Dia. Impeller	Power*
125 x 100 CNGA	218 mm	5.5 kW
125 x 100 CNHA	265 mm	9.5 kW
125 x 80 CNJA	327 mm	18.5 kW
150 x 150 CNFA	227 mm	9.5 kW
150 x 125 CNGA	274 mm	17.0 kW
150 x 125 CNHA	333 mm	28.5 kW
150 x 100 CNJA	397 mm	42.5 kW
200 x 200 CNEA	218 mm	10.0 kW
200 x 150 CNFA	254 mm	16.5 kW
200 x 150 CNGA	307 mm	28.5 kW
200 x 150 CNHA	373 mm	48.5 kW
200 x 100 CNJA	461 mm	88.5 kW
250 x 200 CNEA	244 mm	18.5 kW
250 x 200 CNFA	285 mm	31.0 kW
250 x 150 CNGA	344 mm	49.0 kW
250 x 150 CNHA	418 mm	92.5 kW
250 x 150 CNJA	517 mm	149.0 kW
300 x 250 CNEA	274 mm	31.5 kW
300 x 200 CNFA	320 mm	50.5 kW
300 x 200 CNGA	386 mm	84.5 kW
300 x 200 CNHA	469 mm	147.5 kW
300 x 150 CNJA	580 mm	278.0 kW
300 x 250 CNFA	308 mm	55.0 kW
300 x 250 CNGA	359 mm	87.0 kW
300 x 250 CNHA	433 mm	139.0 kW
300 x 200 CNJA	526 mm	268.0 kW
350 x 300 CNFA	345 mm	96.5 kW
350 x 250 CNGA	403 mm	159.0 kW
350 x 250 CNHA	486 mm	297.0 kW
400 x 350 CNEA	325 mm	114.0 kW
400 x 350 CNFA	388 mm	170.0 kW

Power* - Maximum power absorbed at EOC with maximum diameter impeller at 1450 RPM; SG = 1.0; Vis. = 1.0 cSt

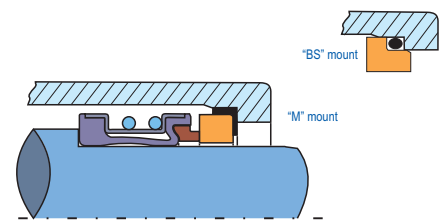
Performance



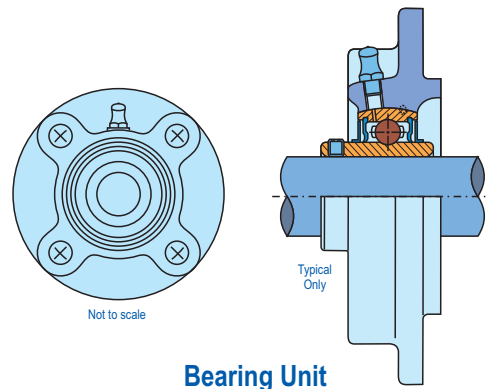
Construction



No.	Description	Material	Qty.
004	Casing - upper half	Cast Iron - FC250	1
006	Casing - lower half	Cast Iron - FC250	1
011-1	Side cover	Cast Iron - FC250	1
011-2	Side cover	Cast Iron - FC250	1
021	Impeller	Bronze - BC6	1
031	Shaft	316 Stainless Steel	1
039-1	Impeller key	316 Stainless Steel	1
039-2	Coupling key	Steel - S50C	1
041	Impeller nut	Bronze - BC6	1
051-1	Bearing unit	Cast Iron - FC200	1
051-2	Bearing unit	Cast Iron - FC200	1
107	Casing wear ring	Bronze - BC6	2
111-1	Mechanical seal	Carbon/Ceramic/NBR	1
111-2	Mechanical seal	Carbon/Ceramic/NBR	1
129	Bearing nut	Steel - SS400	1
156	Lock pin	304 Stainless Steel	2
291	Grease nipple	-	2

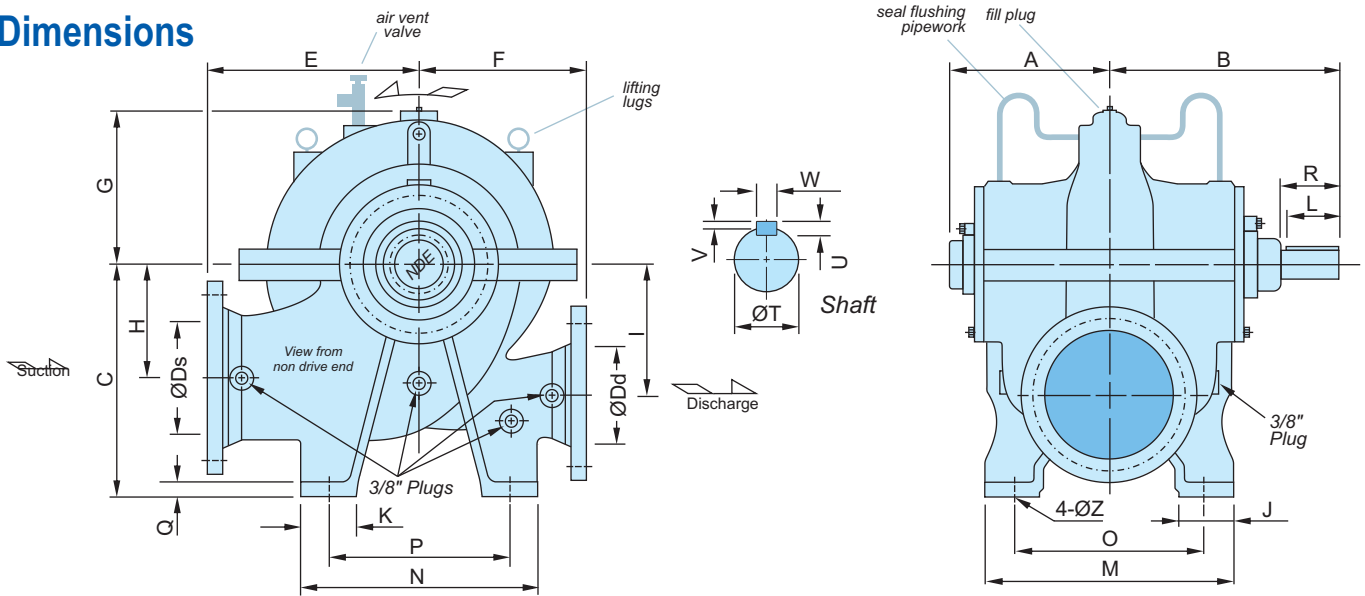


T2100 Mechanical Seal



Bearing Unit

Dimensions



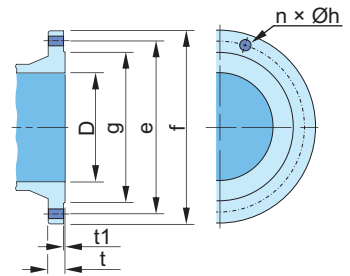
All dimensions in mm unless otherwise stated

ØDs x ØDd Model	Pump																Shaft						Weight kg
	A	B	C	E	F	G	H	I	J	K	M	N	O	P	Q	Z	L	R	T	U	V	W	
125 x 100 CNGA	231	350	295	290	250	181	150	150	60	70	300	290	250	230	20	19	80	82	38	8	5	10	209
125 x 100 CNHA	231	350	295	300	250	195	150	160	60	70	300	290	250	230	20	19	80	82	38	8	5	10	242
125 x 80 CNJA	231	350	295	330	250	226	150	190	70	80	340	320	280	250	20	19	80	82	38	8	5	10	250
150 x 150 CNFA	262	370	355	330	290	205	180	170	80	90	380	360	310	270	25	19	80	82	38	8	5	10	253
150 x 125 CNGA	271	395	355	330	260	224	190	190	80	90	380	360	310	270	25	19	90	102	48	9	5.5	14	275
150 x 125 CNHA	262	370	355	350	280	243	190	210	80	90	380	360	310	270	25	19	80	82	38	8	5	10	270
150 x 100 CNJA	271	395	390	380	290	269	190	240	90	100	430	400	350	300	25	19	90	102	48	9	5.5	14	330
200 x 200 CNEA	263	370	375	355	300	223	190	190	90	100	430	400	350	300	25	19	80	82	38	8	5	10	270
200 x 150 CNFA	263	370	375	355	285	224	190	190	90	100	430	400	350	300	25	19	80	82	38	8	5	10	280
200 x 150 CNGA	263	370	375	355	285	245	200	210	90	100	430	400	350	300	25	19	80	82	38	8	5	10	310
200 x 150 CNHA	282	395	390	375	295	268	200	230	90	100	430	400	350	300	25	19	90	92	48	9	5.5	14	355
200 x 100 CNJA	305	450	445	420	335	309	200	270	100	110	480	450	390	340	25	24	100	112	55	10	6	16	445
250 x 200 CNEA	273	395	425	395	315	243	210	210	100	110	480	450	390	340	25	24	80	97	38	8	5	10	360
250 x 200 CNFA	282	395	425	395	315	247	210	210	100	110	480	450	390	340	25	24	90	92	48	9	5.5	14	380
250 x 150 CNGA	282	395	445	395	315	276	220	240	100	110	480	450	390	340	25	24	90	92	48	9	5.5	14	415
250 x 150 CNHA	315	450	445	430	325	299	220	260	100	110	480	450	390	340	25	24	100	102	55	10	6	16	500
250 x 150 CNJA	350	500	495	470	355	346	220	300	110	120	550	520	450	400	30	24	110	124	65	11	7	18	605
300 x 250 CNEA	302	415	475	445	355	274	235	235	110	120	550	520	450	400	30	24	90	92	48	9	5.5	14	435
300 x 200 CNFA	315	450	475	445	355	280	235	235	110	120	550	520	450	400	30	24	100	102	55	10	6	16	490
300 x 200 CNGA	315	470	495	445	355	300	250	270	110	120	550	520	450	400	30	24	100	122	55	10	6	16	520
300 x 200 CNHA	350	500	495	465	365	332	250	290	110	120	550	520	450	400	30	24	110	124	65	11	7	18	625
300 x 150 CNJA	382	530	500	520	405	384	250	335	110	120	550	520	450	400	30	24	125	141	75	12	8	20	785
300 x 250 CNFA	335	470	495	495	405	306	250	260	110	120	550	520	450	400	30	24	100	102	55	10	6	16	570
300 x 250 CNGA	360	500	495	495	405	313	250	260	110	120	550	520	450	400	30	24	110	114	65	11	7	18	620
300 x 250 CNHA	360	500	520	495	405	337	275	295	110	120	550	520	450	400	30	24	110	114	65	11	7	18	615
300 x 200 CNJA	382	530	500	525	415	379	275	320	110	120	550	520	450	400	30	24	125	141	75	12	8	20	860
350 x 300 CNFA	386	530	600	560	450	345	310	310	130	150	620	700	500	550	38	24	110	125	65	11	7	18	800
350 x 250 CNGA	386	530	600	560	450	350	310	303	135	150	620	700	500	550	38	24	110	125	65	11	7	18	790
350 x 250 CNHA	414	560	600	560	440	373	315	330	135	150	620	700	500	550	38	24	125	140	75	12	7.5	20	845
400 x 350 CNEA	451	600	630	570	470	355	320	320	140	150	700	700	550	550	35	26	110	125	65	11	7	18	1030
400 x 350 CNFA	439	585	630	625	510	385	305	344	150	150	700	700	550	550	38	26	125	140	75	12	7.5	20	1035

Flanges - JIS 16K RF

D	f	e	g	t1	t	n	h	D	f	e	g	t1	t	n	h
80	200	160	135	2	24	8	23	250	430	380	345	2	34	12	27
100	225	185	160	2	26	8	23	300	480	430	395	3	36	16	27
125	270	225	195	2	26	8	25	350	540	480	440	3	38	16	33
150	305	260	230	2	28	12	25	400	605	540	495	3	42	16	33
200	350	305	275	2	30	12	25								

n = number of holes



Specifications subject to change without notice

Dealer



EBARA PUMPS AUSTRALIA PTY. LTD.

7 Holloway Drive
Bayswater, Vic. 3153
Ph: 03 9761 3033

ACN 090 963 572
ABN 81 090 963 572

Fax: 03 9761 3044

sales@ebara.com.au

www.ebara.com.au