

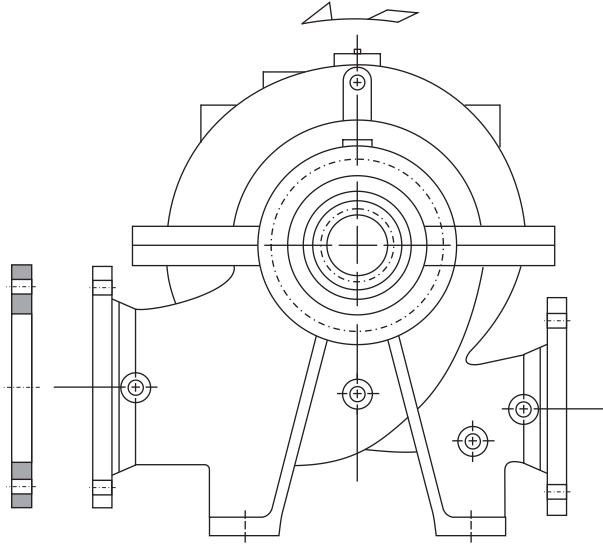
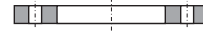
Optional slip on companion flanges for CNA pumps

The slip on companion flanges we can supply will offer a convenient and cost effective solution in many cases, as demonstrated below.

Dealers experienced in installing these types and sizes of pumps will have the resources and equipment to either make their own flanges and pipework or be able to utilise our flanges.

Optional accessory

- Slip on companion flanges (steel - 400 Mpa structural steel)
(JIS 16 K drilling - bore to suit schedule 40 pipe)

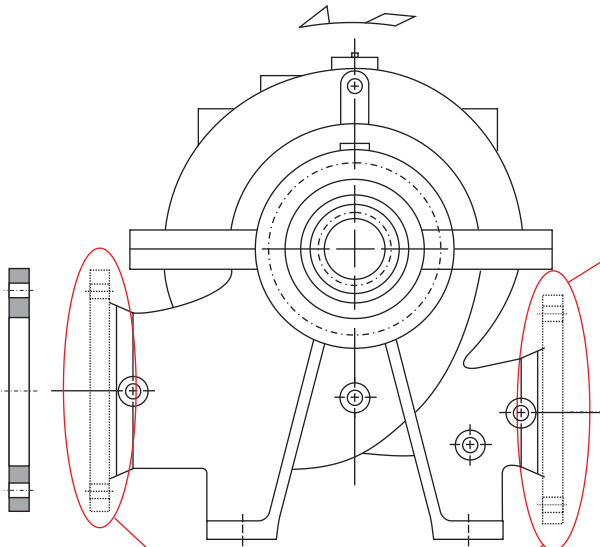


**Standard pump with
JIS 16 K flanges**

Purchase slip on flanges,
drilled JIS 16 K with bore
to suit schedule 40 pipe.

e.g \$510 for 300 x 200

Weld to schedule 40 pipe then;
- to another flange or
- to an eccentric taper or
- to an elbow etc.
- etc.



**Modified pump with other
flanges (eg Table F)**

Additional cost &
extended delivery time.

*e.g. additional \$500 to \$1000
and additional 2 to 4 weeks delivery*

Modified casting and machining for different flange dimensions

Purchase matching
slip on flanges from
local supplier.
(eg Table F)

e.g \$500 to \$1000

Weld to schedule 40 pipe then;
- to another flange or
- to an eccentric taper or
- to an elbow etc.
- etc.

Note: Not all pumps can have their flanges modified.
Each time we need to check with the factory.