



Stainless Steel Pumps

Model DWO Open Impeller Pumps



Stainless steel pump with open impeller, capable of passing 19 mm solids.

Specifications

- Centrifugal open impeller pump
- Maximum 19 mm passage size
- Maximum working pressure: 8 bar
- Maximum liquid temperature: 90 °C

Materials

- Pump casing: 304 Stainless Steel
- Impeller: 304 Stainless Steel
- Casing Cover: 304 Stainless Steel
- Shaft: 304 Stainless Steel (wetted part)
- Bracket & Motor Frame: Aluminium
- Mechanical seal: Carbon/Ceramic/NBR

Motor Data

- TEFC, 2 pole, 50 Hz
- Insulation class F
- IP55 protection
- 1 Phase - 230 Volt
- 3 Phase - 230/400 Volt (dual voltage motors)
- In built overload protection for 1 Phase

Range

- 50 mm Ø discharge
- 1.1 to 1.5 kW - 1 Phase
- 1.1 to 3.0 kW - 3 Phase

Supply

- Note: Power cable not supplied

Options

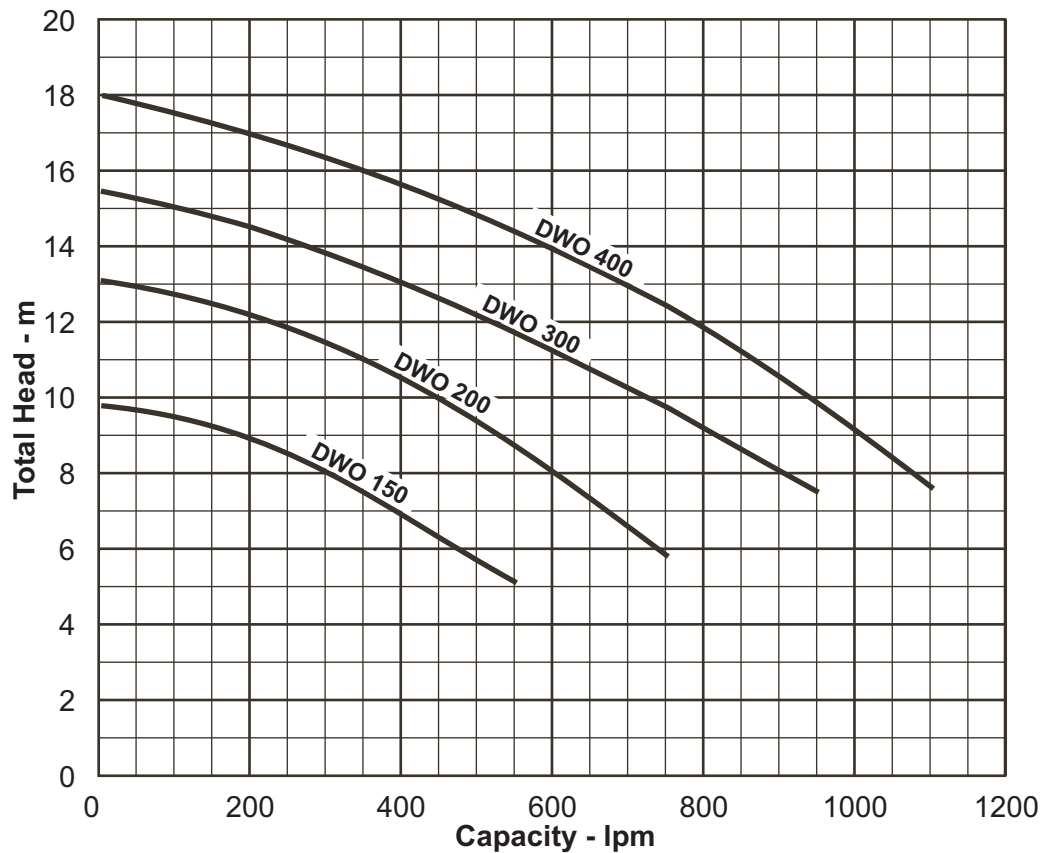
- High temperature seal (110 °C)
(Carbon/Ceramic/Viton seal, Viton O' Rings)
- Hard faced seal (SiC/SiC/Viton seal, Viton O' Rings)

Performance Curve

Synchronous Speed:
3000 rpm

Water temp:
20 °C

Applicable standard of test :
ISO 9906 Annex A



Model Code

DWO M 200

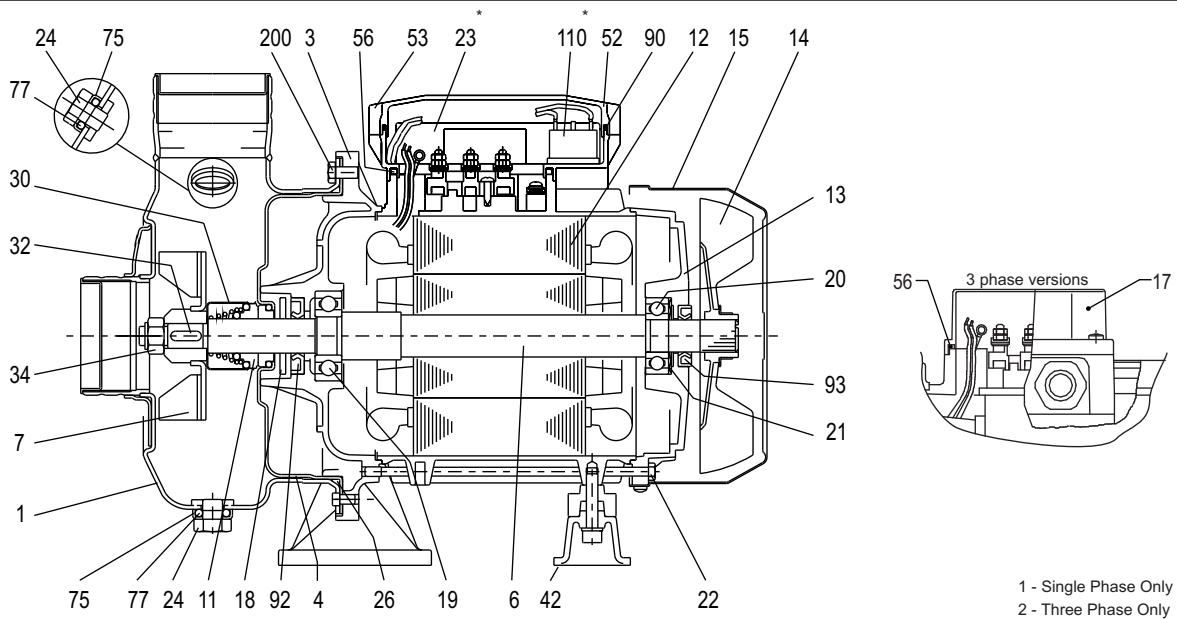
- Motor Size
- M = 1 Phase (M - Monophase)
- Blank = 3 Phase
- Model

Performance Table

Pump Model	Motor Output	Discharge/Suction Ø mm	Full Load Current		Capacitor (1 Phase models only)	Capacity - lpm								
			1 Phase 230 V	3 Phase 400 V		100	200	300	400	550	750	950	1100	
DWO 150	1.1 kW	50 / 50 mm	6.8 A	3.2 A	35 µF	9.5	8.9	7.9	6.9	5.1				
DWO 200	1.5 kW	50 / 50 mm	9.0 A	3.7 A	40 µF	12.7	12.3	11.5	10.5	8.6	5.8			
DWO 300	2.2 kW	50 / 65 mm	—	4.5 A	—	15	14.5	13.8	12.9	11.7	9.7	7.5		
DWO 400	3.0 kW	50 / 65 mm	—	6.1 A	—	17.5	16.9	16.3	15.6	14.3	12.4	9.8	7.6	

Sectional Drawing

Model **DWO**

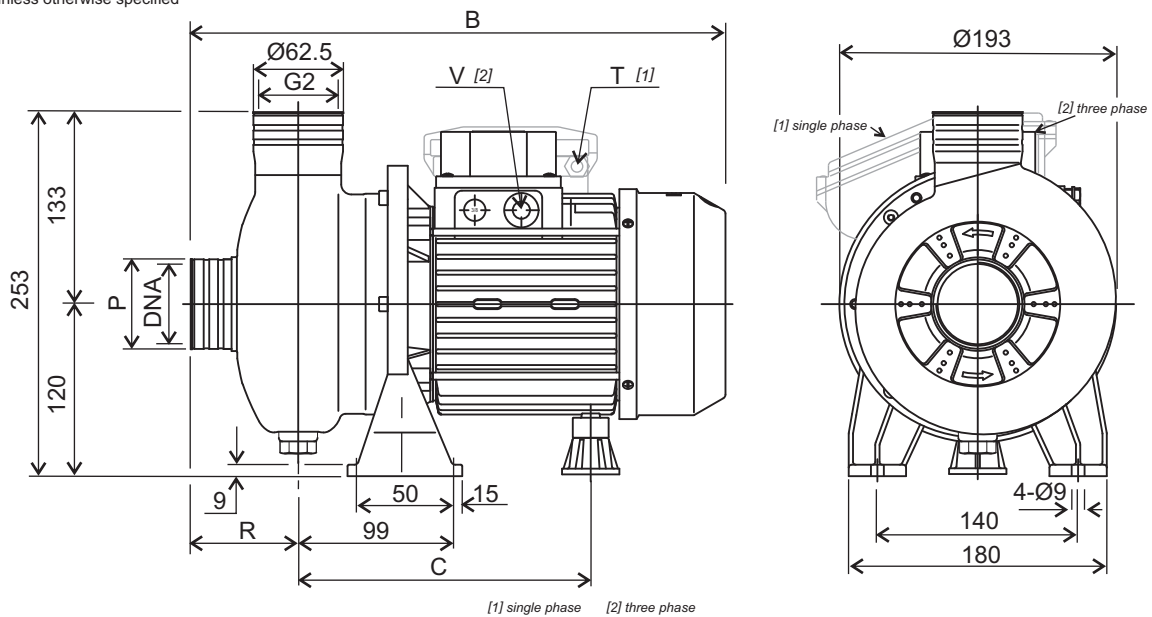


No.	Description	Material	Qty.	No.	Description	Material	Qty.	No.	Description	Material	Qty.
1	Casing	304 S/Steel	1	18	Splash ring	NBR	1	42	Motor support	Aluminium	1
3	Motor bracket	Aluminium	1	19	Pump side ball bearing	-	1	52	Terminal box [1]	ABS	1
4	Casing cover	304 S/Steel	1	20	Fan side ball bearing	-	1	53	Terminal box cover [1]	ABS	1
6	Shaft with rotor	303 S/St (In contact with liquid)	1	21	Adjusting ring	Steel C70	1	56	Box gasket	NBR	1
7	Impeller	304 S/Steel	1	22	Tie rod	Fe 420 (Gal)	4	75	Washer	304 S/Steel	2
11	Mechanical seal	Ceramic/Carbon/NBR	1	23	Capacitor [1]	-	1	77	O-Ring	NBR	2
12	Motor frame with stator	-	1	24	Priming/Drain plug	304 S/Steel	2	90	Cover gasket [1]	NBR	1
13	Motor cover	Aluminium	1	26	O-Ring	NBR	1	92	Lip seal	-	1
14	Fan	Polyamide	1	30	Mechanical seal protection	304 S/Steel	1	93	Lip seal	-	1
15	Fan cover	Fe P04 (Gal)	1	32	Key	316 S/Steel	1	110	Protector [1]	-	1
17	Terminal box cover [2]	Aluminium	1	34	Impeller nut	304 S/Steel	1	200	Screw	Stainless steel A2 UNI7323	6

Dimensions

Model **DWO**

Units: mm unless otherwise specified



Pump Model	Dimensions							Approx. Weight kg	Pump Model	Dimensions							Approx. Weight kg
	[1] B [2]	C	R	ØP	V [2]	T [1]	DNA (m)			B	C	R	ØP	V [2]	DNA (m)		
DWO 150/150M	365 / 365	197	74	62.5	PG11	PG13.5	G2	15	DWO 300	416	241	78	80	PG13.5	G2½	20	
DWO 200/200M	365 / 378	197	74	62.5	PG11	PG13.5	G2	16	DWO 400	455	241	78	80	PG13.5	G2½	23	

Specifications subject to change without notice



EBARA PUMPS AUSTRALIA PTY. LTD.

Data Sheet
DWO 13-03