

# E3 Plastic 3" Bolted Plastic Pump



## SPECIFICATIONS

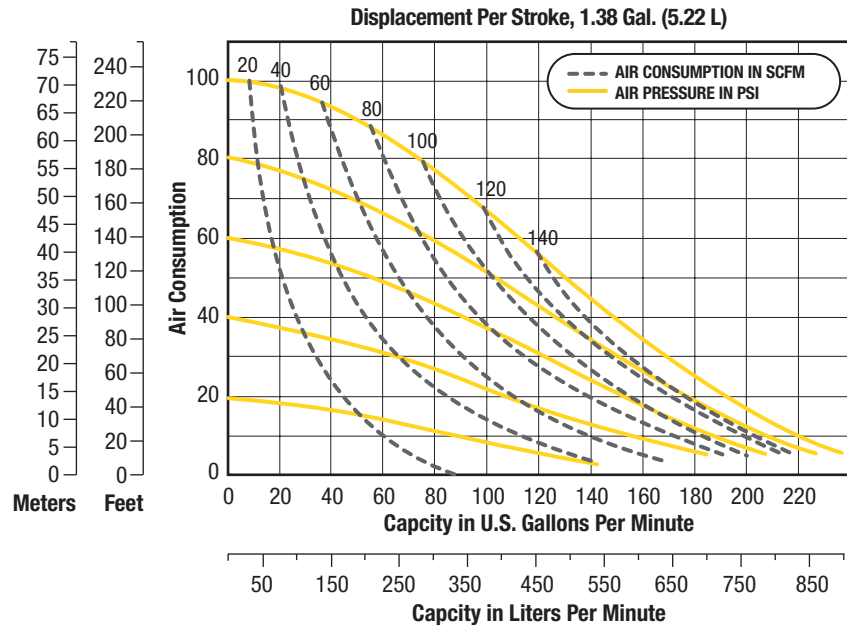
E3P

	English	Metric
<b>Flow rate</b>		
adjustable to	0-238 gpm	0-901 lpm
<b>Port size</b>		
Inlet and Outlet	3" ANSI or DIN 80 Flange	
<b>Air inlet</b>	0.75" NPTF	19.05 mm
<b>Air exhaust</b>	1" NPTF	
<b>Suction lift*</b>		
Dry (Teflon®)	20' (10')	6.10 m (3.05 m)
Wet (Teflon®)	25' (20')	7.62 m (6.10 m)
<b>Max. particle size</b>		
Diameter	0.71"	18 mm
<b>Shipping weight</b>		
Polypropylene	231 lbs	105 kg
PVDF	315 lbs	143 kg

Teflon® is a registered trademark of DuPont.

## PERFORMANCE

E3P

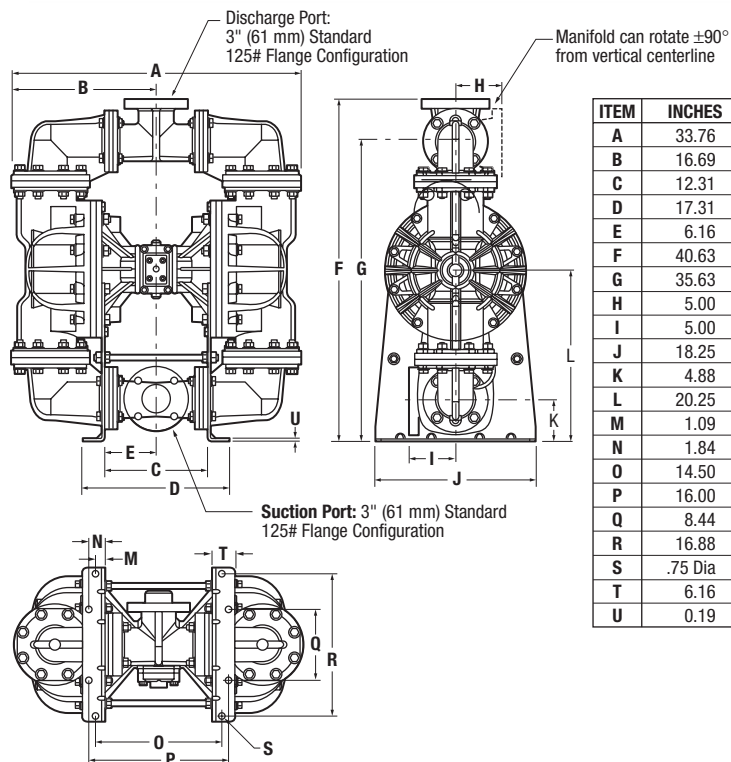


- **Transfers acids and caustic solutions safely**
- **Leak-free bolted design** for a greater positive seal
- **Adjustable manifolds** for horizontal or vertical system configurations
- **Epoxy-coated air section** and stand to prevent environmental attack
- **Non-stalling, non-icing, lube-free** air valve system
- **Spill containment model** available



## DIMENSIONS

E3P



ITEM	INCHES	METRIC MM
A	33.76	846
B	16.69	423
C	12.31	313
D	17.31	440
E	6.16	156
F	40.63	1032
G	35.63	905
H	5.00	127
I	5.00	127
J	18.25	464
K	4.88	124
L	20.25	514
M	1.09	28
N	1.84	47
O	14.50	368
P	16.00	406
Q	8.44	214
R	16.88	429
S	.75 Dia	19 Dia
T	6.16	156
U	0.19	5