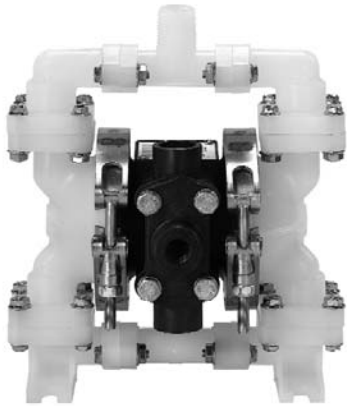


E6 1/4" Plastic Bolted Pumps Specifications and Performance

SPECIFICATIONS

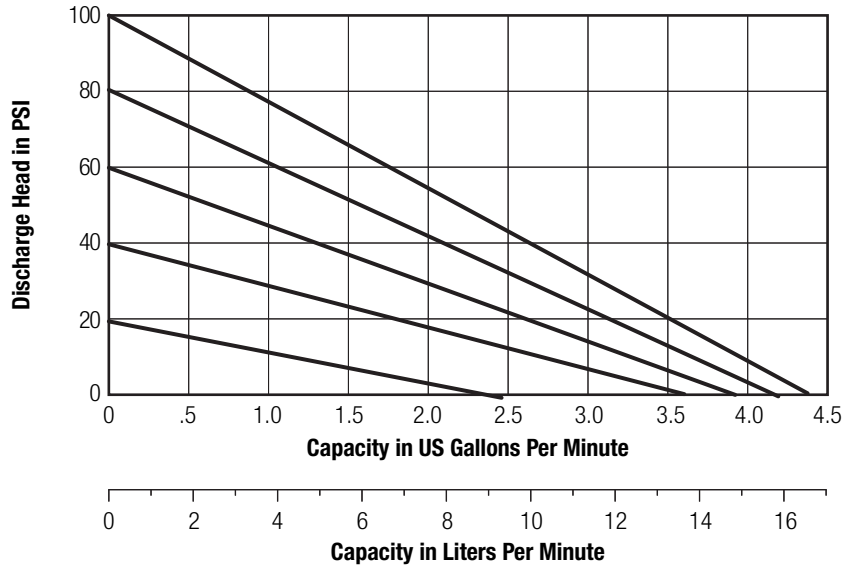
E6

FLOW RATE (Adjustable) 0-4 gpm (151 lpm)
PORT SIZE Inlet and Outlet
 I.D. 0.25" NPTF I.D.
 O.D. 0.50" NPTM O.D.
AIR INLET 0.25" NPTF
AIR EXHAUST 0.75" NPTF
SUCTION LIFT 5.83' Dry/25.5' Wet
 (1.78m/777m)
MAX. PARTICLE SIZE (Dia.) 0.3125" (1mm)
SHIPPING WEIGHTS
 Acetal 5.00 lbs (2.27 kg)
 Polypropylene 3.38 lbs (1.53 kg)
 PVDF 4.13 lbs (1.87 kg)



PERFORMANCE Determined by actual flow meter tests.

E6



CAUTION: Do not exceed 125 psig (8.5 bars) air supply or liquid pressure.

DIMENSIONS Consult factory for certified drawings.

E6

