

3/4" Bolted Metallic Pumps

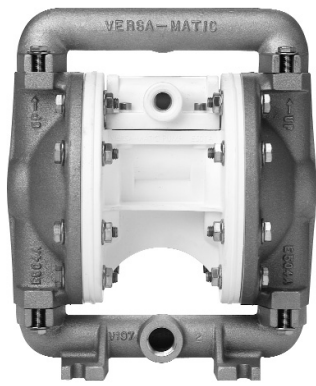
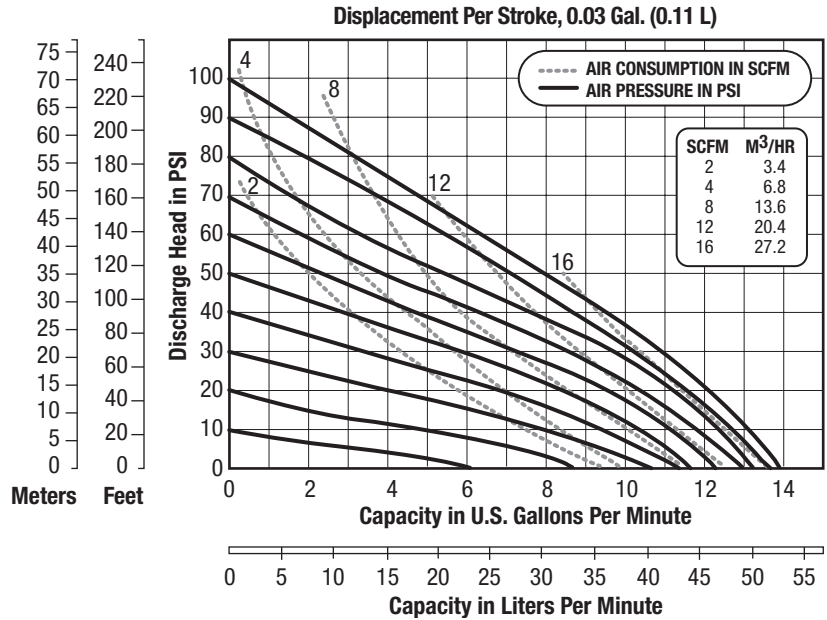
Aluminum Air Section Available



Specifications

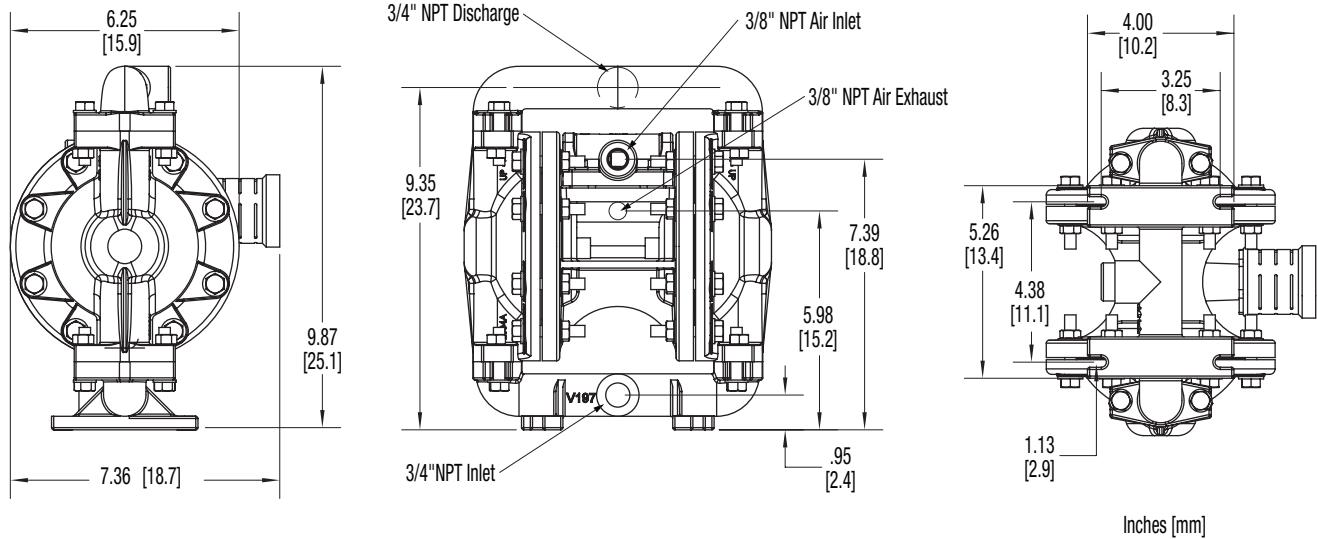
- Flow Rate** adjustable to . . . 0-14 gpm (53 lpm)
- Port Size**
- Inlet and Discharge 0.75" NPT
- Air Inlet** 0.375" NPT
- Air Exhaust** 0.375" NPT
- Suction Lift** . . . 15' Dry/25' Wet (6.096m/7.62m)
- Teflon® 5' Dry/10' Wet (1.52m/3.048m)
- Max. Particle Size** (Dia.) 0.0625" (1.6mm)
- Shipping Weights**
- Aluminum 15 lbs (6.80 kg)

Performance



CAUTION: Do not exceed 100 psig (6.9 bars) air supply or liquid pressure.

Dimensions



Consult factory for certified drawings.