



# Stainless Steel Pumps

# Model EVMG 3~18 Vertical Multistage Pumps



Robust vertical multistage pumps providing high discharge heads and high efficiencies, with an in-line design requiring minimal floor space for installation.

### Specifications

- Vertical multistage in-line pump
- Closed centrifugal impellers
- In built thrust bearing with models above 1.5 kW (above 3.0 kW for EVMG18)
- Maximum working pressure: 16 or 25 bar, depending on model. Refer to performance table.
- Maximum liquid temperature: -15 °C to +120 °C
- Maximum solid content: 50 ppm (size 0.1 to 0.25 mm or less)

### Materials

- Impellers: 304 stainless steel
- Intermediate casings: 304 stainless steel
- Outer casing: 316 stainless steel
- Bottom casing: cast iron
- Top casing: cast iron
- Shaft: 316 stainless steel
- Motor Bracket: cast iron
- Mechanical seal: Silicon Carbide/Carbon/Viton
- Liner Rings: EPDM & 304 SS
- O-Rings: EPDM

### Motor Data

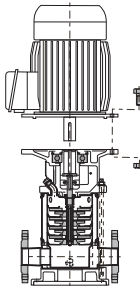
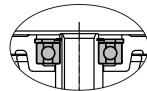
- Uses IEC standard 2 pole 50 Hz motors
- Face or flange mount (See dimension table for details)
- 3 phase, TEFC, Class F, IP55

### Range

- 25 to 50 mm Ø discharge
  - 0.37 to 15 kW - 3 phase
  - 16 bar oval flange with screwed companion flange or
  - 25 bar DIN round flange
- Depending on model. See dimension table for details.

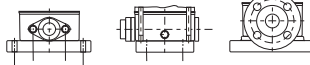
### Features

Uses standard IEC motors, allowing the use of specific brand or enclosure motors if required, and ease of replacement.



Thrust bearing in models over 1.5 kW (3.0 kW for EVMG 18) for improved reliability and ease of assembly.

Installation dimensions to industry standard for easy upgrade or replacement.



### Supply

- Can be supplied as pump end without motor.
- Models with oval flange (N type) are supplied with zinc plated steel companion flanges.

### Options

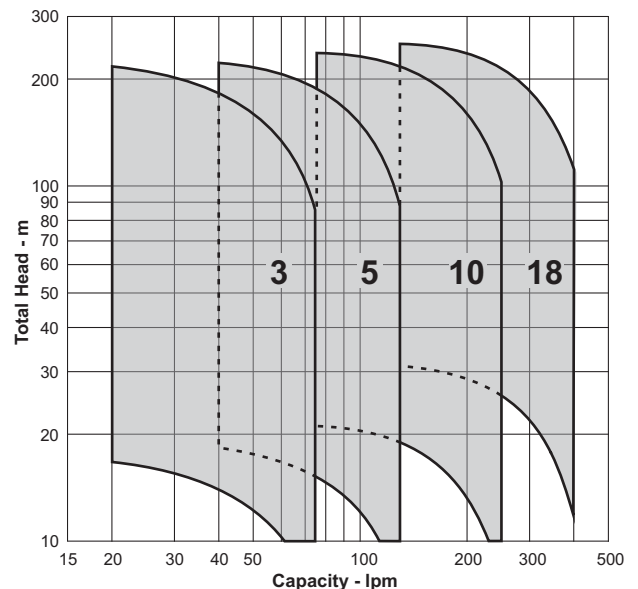
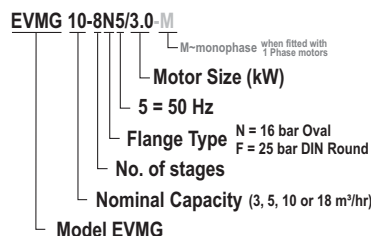
- Single phase motors (up to 3.0 kW)
- Special enclosure or specific brand on request.

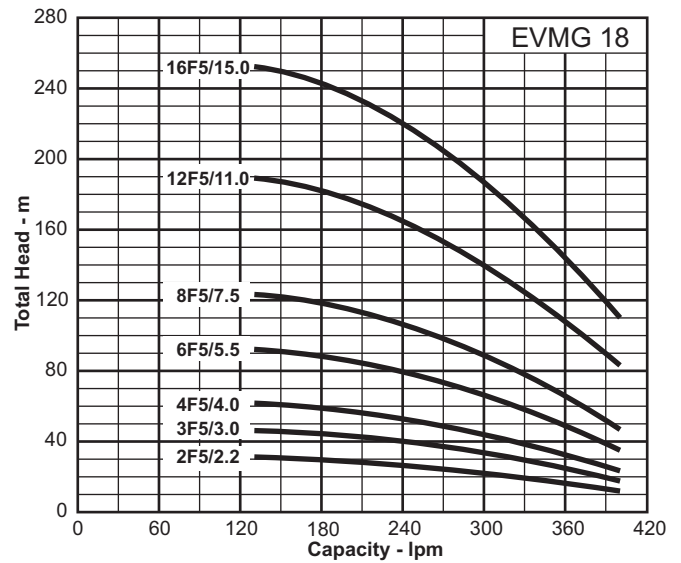
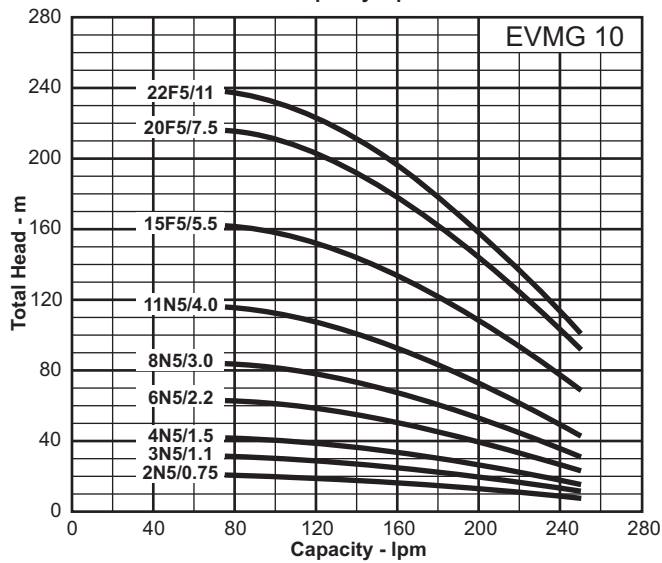
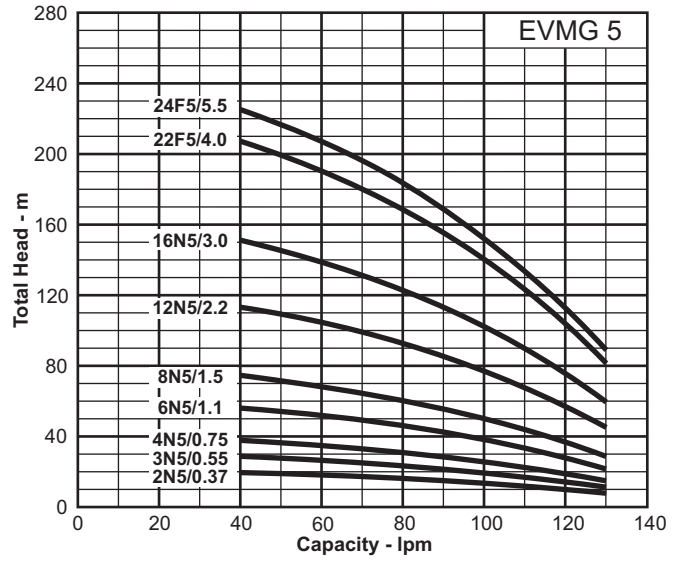
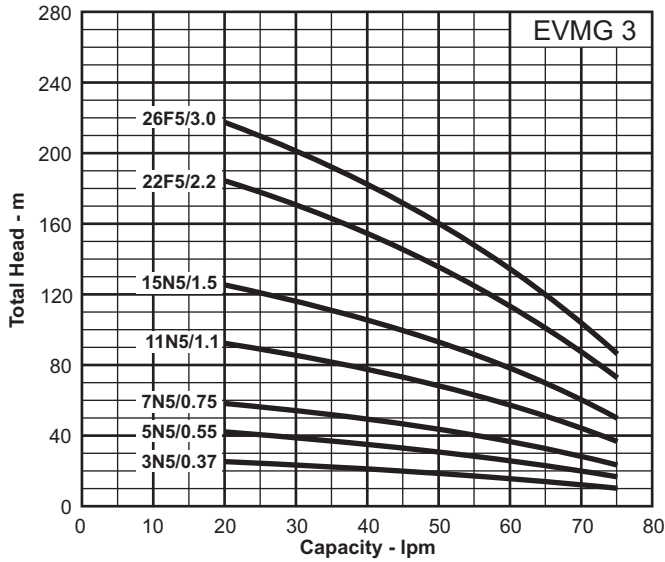
### Applications

- Industrial
- Commercial Buildings
- Agricultural
- Original Equipment Manufacturers
- Municipalities

- Pressure boosting
- Irrigation
- Boiler feed
- Fire fighting
- Industrial washing
- Water treatment
- Filtration

### Model Code

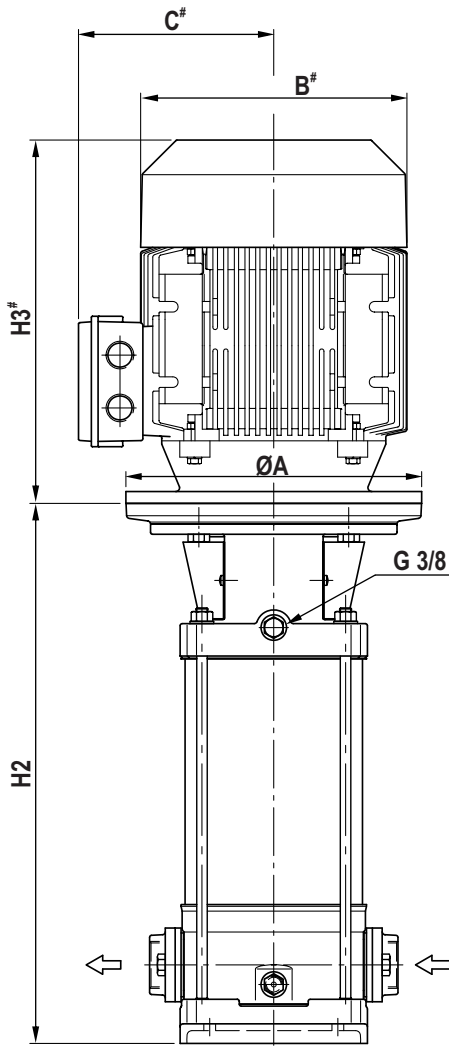




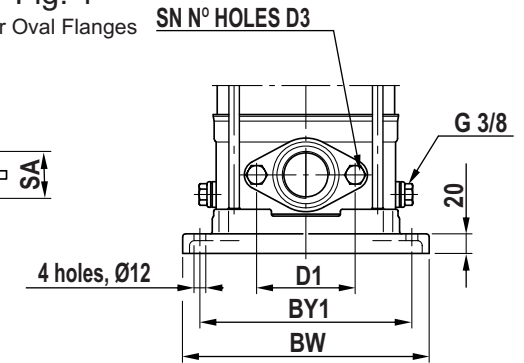
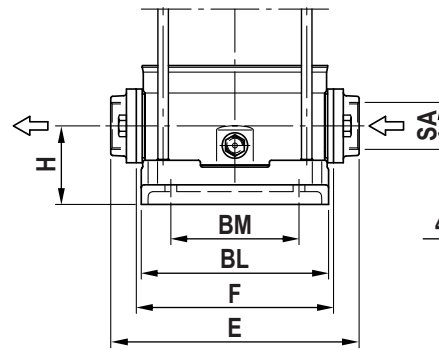
Pump Model	Motor kW	Connections		Maximum Working Pressure	Capacity - lpm															
		Size	Type		0	20	40	60	75	100	130	150	200	250	300	350	400			
EVMG 3-3N5/0.37	0.37	25 mm	16 bar Oval flange with screwed companion flange	1.6 MPa	27.9	25.1	20.9	15.5	9.9	-	-	-	-	-	-	-	-	-		
EVMG 3-5N5/0.55	0.55				46.5	42.0	34.9	25.8	16.5	-	-	-	-	-	-	-	-	-	-	
EVMG 3-7N5/0.75	0.75				65.0	58.5	49.0	36.1	23.1	-	-	-	-	-	-	-	-	-	-	
EVMG 3-11N5/1.1	1.1				102.0	92.0	77.0	56.5	36.3	-	-	-	-	-	-	-	-	-	-	
EVMG 3-15N5/1.5	1.5				140.0	125.0	105.0	77.5	49.5	-	-	-	-	-	-	-	-	-	-	
EVMG 3-22F5/2.2	2.2				205.0	184.0	154.0	113.0	72.5	-	-	-	-	-	-	-	-	-	-	
EVMG 3-26F5/3.0	3				242.0	217.0	182.0	134.0	86.0	-	-	-	-	-	-	-	-	-	-	
EVMG 5-2N5/0.37	0.37	32 mm	16 bar Oval flange with screwed companion flange	1.6 MPa	20.2	-	18.4	16.9	15.4	12.2	6.9	-	-	-	-	-	-			
EVMG 5-3N5/0.55	0.55				30.2	-	27.6	25.3	23.1	18.4	10.3	-	-	-	-	-	-	-		
EVMG 5-4N5/0.75	0.75				40.5	-	36.8	33.8	30.8	24.5	13.8	-	-	-	-	-	-	-		
EVMG 5-6N5/1.1	1.1				60.5	-	55.0	50.5	46.5	36.7	20.6	-	-	-	-	-	-	-		
EVMG 5-8N5/1.5	1.5				80.5	-	73.5	67.5	61.5	49.0	27.5	-	-	-	-	-	-	-		
EVMG 5-12N5/2.2	2.2				123.0	-	112.0	103.0	94.5	75.5	44.0	-	-	-	-	-	-	-		
EVMG 5-16N5/3.0	3				164.0	-	150.0	138.0	126.0	101.0	58.5	-	-	-	-	-	-	-		
EVMG 5-22F5/4.0	4				225.0	-	206.0	189.0	173.0	139.0	80.5	-	-	-	-	-	-	-		
EVMG 5-24F5/5.5	5.5				246.0	-	224.0	206.0	189.0	151.0	88.0	-	-	-	-	-	-	-		
EVMG 10-2N5/0.75	0.75				40 mm	16 bar Oval flange with screwed companion flange	1.6 MPa	22.0	-	-	-	21.0	20.4	18.9	17.6	13.2	7.8	-	-	-
EVMG 10-3N5/1.1	1.1	33.0	-	-				-	31.6	30.5	28.4	26.4	19.8	11.7	-	-	-	-		
EVMG 10-4N5/1.5	1.5	44.0	-	-				-	42.0	40.5	37.8	35.2	26.4	15.6	-	-	-	-		
EVMG 10-6N5/2.2	2.2	66.0	-	-				-	63.0	61.0	57.0	53.0	39.5	23.4	-	-	-	-		
EVMG 10-8N5/3.0	3	88.0	-	-				-	84.0	81.5	75.5	70.5	52.5	31.2	-	-	-	-		
EVMG 10-11N5/4.0	4	121.0	-	-				-	116.0	112.0	104.0	97.0	72.5	43.0	-	-	-	-		
EVMG 10-15F5/5.5	5.5	168.0	-	-				-	162.0	158.0	148.0	139.0	108.0	69.0	-	-	-	-		
EVMG 10-20F5/7.5	7.5	224.0	-	-		-	216.0	210.0	197.0	185.0	144.0	92.0	-	-	-	-				
EVMG 10-22F5/11	11	246.0	-	-		-	238.0	231.0	217.0	204.0	158.0	101.0	-	-	-	-				
EVMG 18-2F5/2.2	2.2	50 mm	25 bar Round DIN flange	1.6 MPa		32.0	-	-	-	-	31.0	30.3	28.5	25.7	21.9	17.2	11.6			
EVMG 18-3F5/3.0	3					48.0	-	-	-	-	46.0	45.5	43.0	38.6	32.8	25.7	17.4			
EVMG 18-4F5/4.0	4					64.0	-	-	-	-	61.5	60.5	57.0	51.5	44.0	34.3	23.2			
EVMG 18-6F5/5.5	5.5					96.0	-	-	-	-	92.0	91.0	85.5	77.0	65.5	51.5	34.8			
EVMG 18-8F5/7.5	7.5					128.0	-	-	-	-	123.0	121.0	114.0	103.0	87.5	68.5	46.5			
EVMG 18-12F5/11	11		194.0	-	-	-	-	189.0	186.0	177.0	160.0	139.0	112.0	83.0						
EVMG 18-16F5/15	15		259.0	-	-	-	-	-	-	252.0	249.0	236.0	214.0	186.0	150.0	110.0				

Units: mm unless otherwise specified

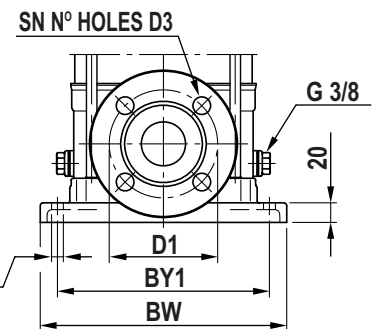
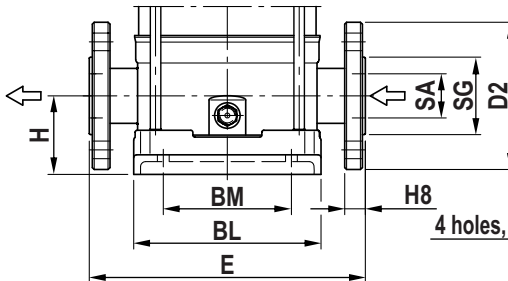
# Dimensions H3, C & B may vary depending on motor type fitted.  
 Dimensions & weights shown refer to 3 Phase WEG W21 motors :-  
 - Aluminium motors 0.37 to 7.5 kW  
 - Cast Iron motors 11 & 15 kW



**Fig. 1**  
16 bar Oval Flanges



**Fig. 2**  
25 bar DIN Flanges



Motor kW	0.37	0.55	0.75	1.1	1.5	2.2	3.0	4.0	5.5	7.5	11.0	15.0
Frame Size	71	71	80	80	90S	90L	100	112	132S	132S	160M	160M
Mount	Vertical Face Mount - B14A (V18)						Vertical Flange Mount - B5 (V1)					

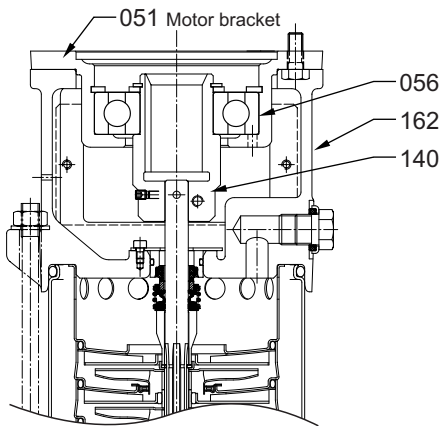
\* FLC = Motor full load current (A) @ 400 V

Pump Model	Motor kW	FLC* A	Fig.No for Flange	Dimensions																Weight - kg				
				H	H2	H3	F	E	B	C	BM	BL	BY1	BW	SA	SG	D1	D2	H8	SN	D3	A	Pump	Motor
EVMG 3-3N5/0.37	0.37	0.875	Fig. 1	50	262	218	160	206	139	127	100	149	180	210	G1"	-	75	-	-	2	M10	Ø105	12	21
EVMG 3-5N5/0.55	0.55	1.25		50	304	218	160	206	139	127	100	149	180	210	G1"	-	75	-	-	2	M10	Ø105	13	22
EVMG 3-7N5/0.75	0.75	1.58		50	356	236	160	206	157	136	100	149	180	210	G1"	-	75	-	-	2	M10	Ø120	14	25
EVMG 3-11N5/1.1	1.1	2.43		50	440	236	160	206	157	136	100	149	180	210	G1"	-	75	-	-	2	M10	Ø120	16	30
EVMG 3-15N5/1.5	1.5	3.09		50	534	279	160	206	177	155	100	149	180	210	G1"	-	75	-	-	2	M10	Ø140	19	34
EVMG 3-22F5/2.2	2.2	4.39		75	717	279	-	250	177	155	100	149	180	210	Ø25	Ø63	Ø85	Ø115	16	4	Ø14	Ø140	27	46
EVMG 3-26F5/3.0	3	5.64	75	811	316	-	250	198	165	100	149	180	210	Ø25	Ø63	Ø85	Ø115	16	4	Ø14	Ø160	31	58	
EVMG 5-2N5/0.37	0.37	0.875	Fig. 1	50	255	218	160	206	139	127	100	149	180	210	G1 1/4"	-	75	-	-	2	M10	Ø105	12	21
EVMG 5-3N5/0.55	0.55	1.25		50	283	218	160	206	139	127	100	149	180	210	G1 1/4"	-	75	-	-	2	M10	Ø105	12	21
EVMG 5-4N5/0.75	0.75	1.58		50	321	236	160	206	157	136	100	149	180	210	G1 1/4"	-	75	-	-	2	M10	Ø120	13	24
EVMG 5-6N5/1.1	1.1	2.43		50	377	236	160	206	157	136	100	149	180	210	G1 1/4"	-	75	-	-	2	M10	Ø120	14	28
EVMG 5-8N5/1.5	1.5	3.09		50	443	279	160	206	177	155	100	149	180	210	G1 1/4"	-	75	-	-	2	M10	Ø140	16	31
EVMG 5-12N5/2.2	2.2	4.39		50	565	279	160	206	177	155	100	149	180	210	G1 1/4"	-	75	-	-	2	M10	Ø140	20	39
EVMG 5-16N5/3.0	3	5.64	50	688	316	160	206	198	165	100	149	180	210	G1 1/4"	-	75	-	-	2	M10	Ø160	23	50	
EVMG 5-22F5/4.0	4	7.45	Fig. 2	75	881	333	-	250	235	184	100	149	180	210	Ø32	Ø71	Ø100	Ø140	20	4	Ø14	Ø160	31	64
EVMG 5-24F5/5.5	5.5	10.2		75	948	410	-	250	274	212	100	149	180	210	Ø32	Ø71	Ø100	Ø140	20	4	Ø14	Ø300	35	66
EVMG 10-2N5/0.75	0.75	1.58	Fig. 1	80	333	236	200	252	157	136	130	190	215	250	G1 1/2"	-	100	-	-	2	M12	Ø120	18	29
EVMG 10-3N5/1.1	1.1	2.43		80	363	236	200	252	157	136	130	190	215	250	G1 1/2"	-	100	-	-	2	M12	Ø120	20	34
EVMG 10-4N5/1.5	1.5	3.09		80	403	279	200	252	177	155	130	190	215	250	G1 1/2"	-	100	-	-	2	M12	Ø140	22	37
EVMG 10-6N5/2.2	2.2	4.39		80	473	279	200	252	177	155	130	190	215	250	G1 1/2"	-	100	-	-	2	M12	Ø140	24	43
EVMG 10-8N5/3.0	3	5.64		80	543	316	200	252	198	165	130	190	215	250	G1 1/2"	-	100	-	-	2	M12	Ø160	31	58
EVMG 10-11N5/4.0	4	7.45		80	633	333	200	252	235	184	130	190	215	250	G1 1/2"	-	100	-	-	2	M12	Ø160	34	67
EVMG 10-15F5/5.5	5.5	10.2	Fig. 2	80	764	410	-	280	274	212	130	190	215	250	Ø40	Ø79	Ø110	Ø150	20	4	Ø18	Ø300	46	87
EVMG 10-20F5/7.5	7.5	14.1		80	915	410	-	280	274	212	130	190	215	250	Ø40	Ø79	Ø110	Ø150	20	4	Ø18	Ø300	50	114
EVMG 10-22F5/11	11	20.2		80	1005	488	-	280	317	255	130	190	215	250	Ø40	Ø79	Ø110	Ø150	20	4	Ø18	Ø350	56	166
EVMG 18-2F5/2.2	2.2	4.39		90	373	279	-	300	177	155	130	190	215	250	Ø50	Ø92	Ø125	Ø165	20	4	Ø18	Ø140	27	46
EVMG 18-3F5/3.0	3	5.64		90	423	316	-	300	198	165	130	190	215	250	Ø50	Ø92	Ø125	Ø165	20	4	Ø18	Ø160	29	56
EVMG 18-4F5/4.0	4	7.45		90	473	333	-	300	235	184	130	190	215	250	Ø50	Ø92	Ø125	Ø165	20	4	Ø18	Ø160	31	64
EVMG 18-6F5/5.5	5.5	10.2	Fig. 2	90	564	410	-	300	274	212	130	190	215	250	Ø50	Ø92	Ø125	Ø165	20	4	Ø18	Ø300	41	82
EVMG 18-8F5/7.5	7.5	14.1		90	644	410	-	300	274	212	130	190	215	250	Ø50	Ø92	Ø125	Ø165	20	4	Ø18	Ø300	44	108
EVMG 18-12F5/11	11	20.2		90	834	488	-	300	317	255	130	190	215	250	Ø50	Ø92	Ø125	Ø165	20	4	Ø18	Ø350	57	167
EVMG 18-16F5/15	15	27.1		90	995	488	-	300	317	255	130	190	215	250	Ø50	Ø92	Ø125	Ø165	20	4	Ø18	Ø350	61	176

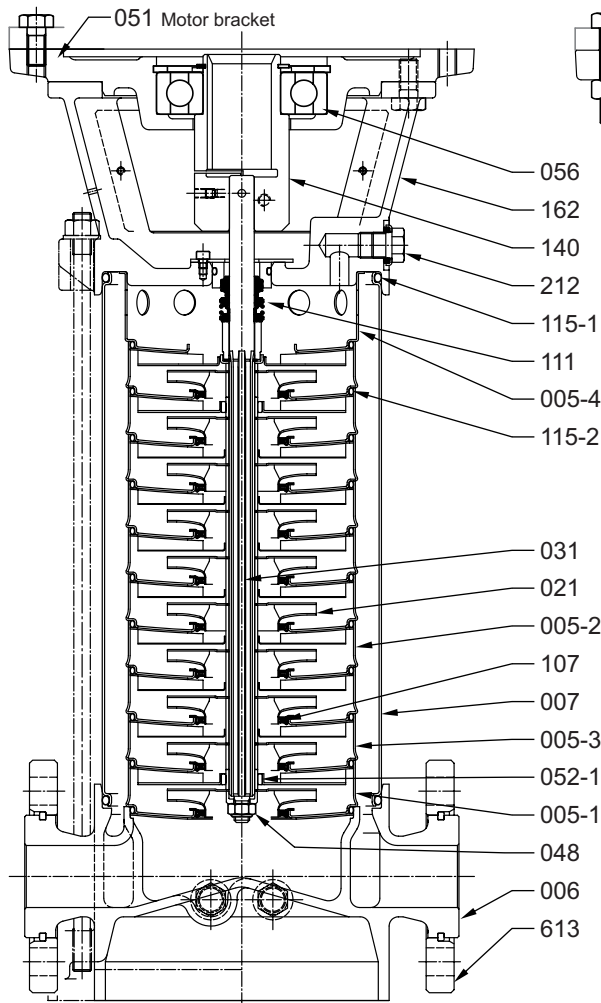
Specifications subject to change without notice

Typical construction

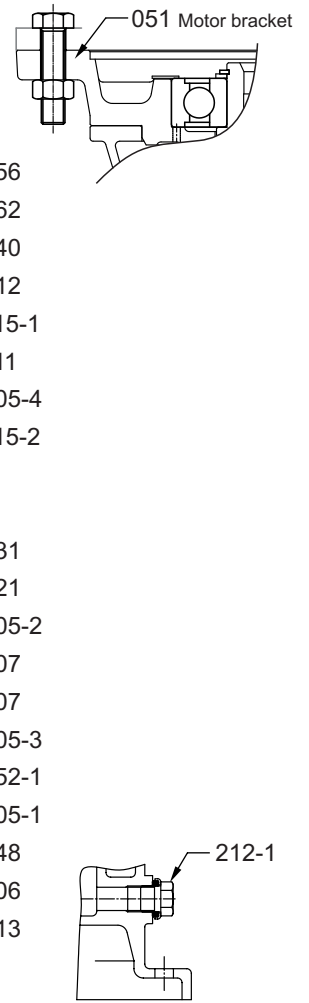
2.2 to 4.0 kW models (EVMG 3~10)  
4.0 kW models (EVMG 18)



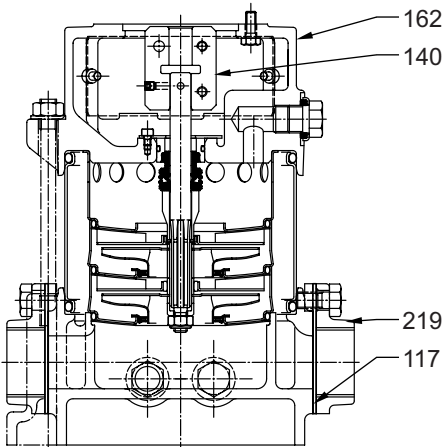
5.5 to 7.5 kW models



11.0 to 15.0 kW models



Models without Thrust Bearing  
(up to 1.5 kW EVMG 3~10  
up to 3.0 kW for EVMG 18)



16 Bar Oval Flange  
(Models with N type)

← refer to dimension table for applicable models →

25 Bar Round DIN Flange  
(Models with F type)

No.	Description	Material	Qty.	
			up 11 stages	12 stages & above
005-1	Suction cover	304 Stainless Steel	1	
005-2	Intermediate casing	304 Stainless Steel	N-1	N-2
005-3	Intermediate bearing casing	304 Stainless Steel	1	2
005-4	Discharge casing	304 Stainless Steel	1	
006	Bottom casing	Cast Iron (EN-GJL-200)	1	
007	Outer casing	316 Stainless Steel	1	
021	Impeller	304 Stainless Steel	N	
031	Shaft	316 Stainless Steel	1	
048	Impeller nut	304 Stainless Steel	1	
051	Motor adaptor	Cast Iron (EN-GJL-200)	1	[#]
052-1	Bearing	Tungsten Carbide	1	2
056	Ball bearing (thrust)	- (refer to table opposite)	1	[#]
107	Liner ring	EPDM & 304 Stainless Steel	N	
111	Mechanical seal	Silicon Carbide/Carbon/Viton	N	
115-1	O-Ring (Outer casing)	EPDM	2	
115-2	O-Ring (Intermediate casing)	EPDM	N+1	
117	Flange gasket	EPDM	2	[*]
140	Coupling	Brass (OT58) / Steel <small>CF35 SMn Pb10 11 &amp; 15 kW models</small>	1	
162	Motor bracket	Cast Iron (EN-GJL-200)	1	
212	Plug	304 Stainless Steel	1	
212-1	Plug	304 Stainless Steel	2	
219	Counter flange	Zinc Plated Steel	2	[*]
613	Flange	Carbon Steel	2	[+]

N = Number of stages

# - Models with thrust bearings

\* - Models with oval flange (N type)

+ - Models with round flange (F type)

Motor kW	Thrust Bearing Size			
	3	5	10	18
2.2 kW	6207 ZZ			
3.0 kW	6308 ZZ			
4.0 kW	6308 ZZ			
5.5 kW	6310 ZZ			
7.5 kW	6310 ZZ			
11.0 kW	6313 ZZ			
15.0 kW	6313 ZZ			

Specifications subject to change without notice