


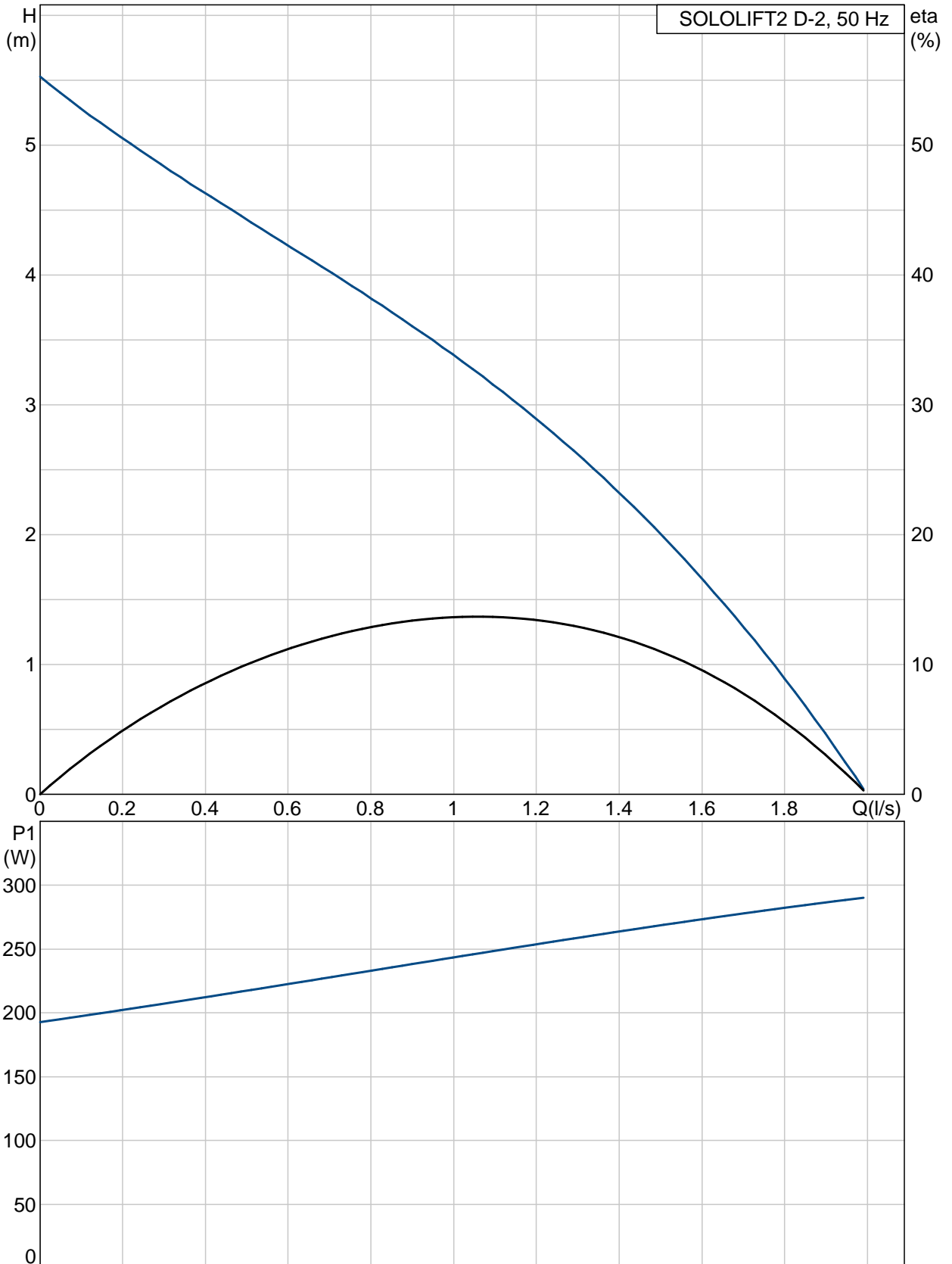


Position	Qty.	Description	Single Price
	-1	<p><b>SOLOLIFT2 D-2</b></p>  <p>Note! Product picture may differ from actual product</p> <p>Product No.: 97775328</p> <p>Sololift2 D-2 is a small, compact automatic lifting station suitable for pumping of wastewater off places in private dwellings where greywater (w/o faeces) cannot be led directly to the sewer by means of a natural downward slope.</p> <p><b>Sololift2 D-2 is typically used for:</b></p> <ul style="list-style-type: none"> <li>• cabinet showers, washbasins or bidets in basements below sewer level, in connection with the renovation or modernisation of existing buildings, where the location may be remote from the main soil pipe so that a natural slope cannot be established. Extremely low switching levels for lowest construction heights, advantageously in case of connection of a shower receptor.</li> </ul> <p>Sololift2 D-2 is suitable for confined space conditions in built-in cabinets or also below shower receptors or pedestals.</p> <p>The pumping of liquids containing other material may cause faults and limit the scope of our guarantee.</p> <p>The compact lifting station is equipped with</p> <ul style="list-style-type: none"> <li>- Cable with or without plug (see technical data)</li> <li>- Discharge hose connector with several adaptors for pipes with Ø22-36mm</li> </ul> <p>-Integrated non return valve</p> <ul style="list-style-type: none"> <li>- Dry and high performance motor unit incl. thermal protection, pressure switch and controller</li> <li>- Flexible connectors for inlet (adjustable in height) of pipes Ø36 or 40</li> <li>- Manual anti clogging function and separate drain connection for service</li> <li>- Venting valve with overflow protection</li> <li>- Uplift fixation clips</li> </ul> <p>Design according to EN12050-2 and production inspection by external institute with unique features focused on quick installation, long lasting operation and easy clean service.</p> <p>Liquid: Maximum liquid temperature: 50 °C</p> <p><b>Technical:</b> Approvals on nameplate: CE</p> <p><b>Installation:</b> Pump inlet: 36/40/50</p>	On request

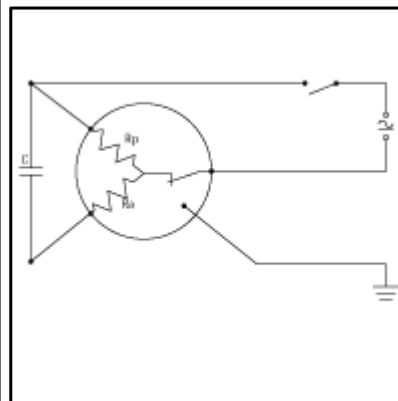
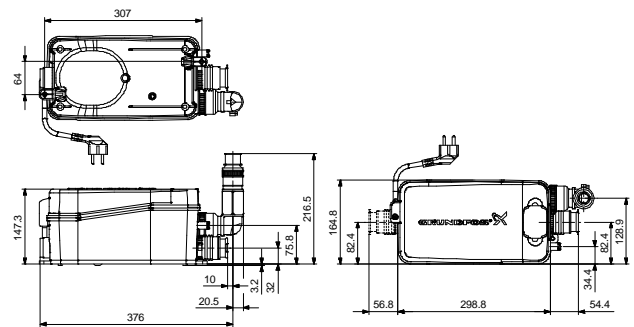
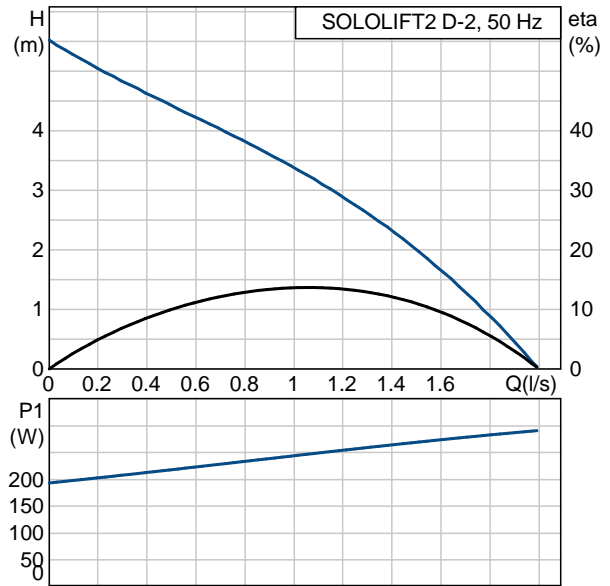
Position	Qty.	Description	Single Price
		Pump outlet: 22/32 Number of leads: 3X0,75MM2  <b>Electrical data:</b> Power input - P1: 0.28 kW Mains frequency: 50 Hz Rated voltage: 1 x 220-240 V Rated current: 1.3 A Cos phi - power factor: 0,95 Rated speed: 2800 rpm Enclosure class (IEC 34-5): 24 Insulation class (IEC 85): F Length of cable: 1.2 m Cable type: H05VV-F Type of cable plug: TYPE I Others: Net weight: 4.21 kg Gross weight: 4.8 kg	



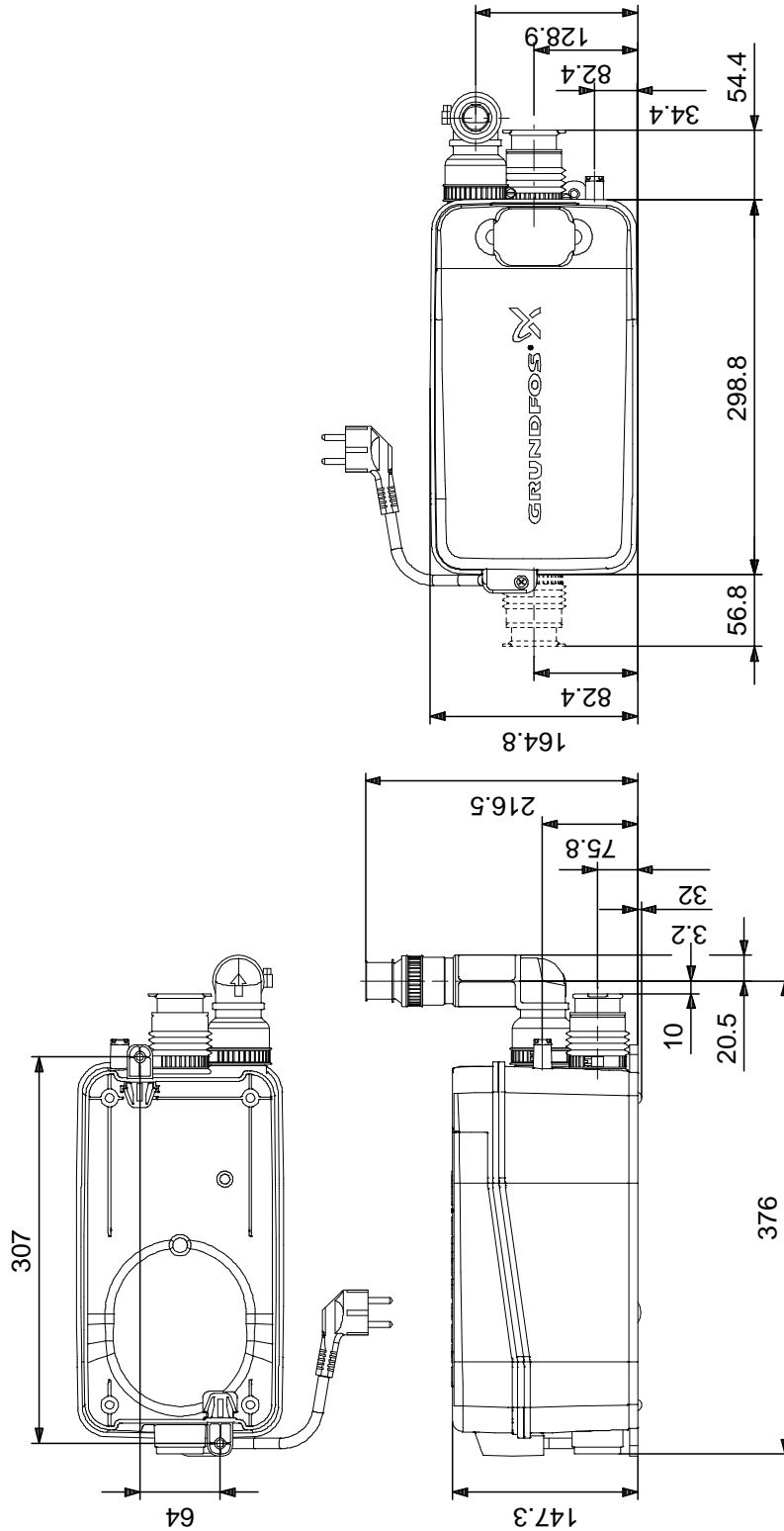
**97775328 SOLOLIFT2 D-2 50 Hz**



Description	Value
Product name:	SOLOLIFT2 D-2
Product No:	97775328
EAN number:	5710624187371
<b>Technical:</b>	
Head max:	1.3 m
Approvals on nameplate:	CE
<b>Installation:</b>	
Pump inlet:	36/40/50
Pump outlet:	22/32
Number of leads:	3X0,75MM2
<b>Liquid:</b>	
Maximum liquid temperature:	50 °C
<b>Electrical data:</b>	
Power input - P1:	0.28 kW
Mains frequency:	50 Hz
Rated voltage:	1 x 220-240 V
Rated current:	1.3 A
Cos phi - power factor	0,95
Rated speed:	2800 rpm
Enclosure class (IEC 34-5):	24
Insulation class (IEC 85):	F
Thermal protec:	THERMIK S06-160-05
Length of cable:	1.2 m
Cable type:	H05VV-F
Type of cable plug:	TYPE I
<b>Others:</b>	
Net weight:	4.21 kg
Gross weight:	4.8 kg
Product range:	Australia

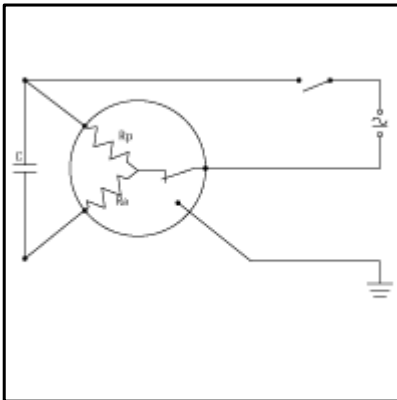


97775328 SOLOLIFT2 D-2 50 Hz



Note! All units are in [mm] unless others are stated.  
 Disclaimer: This simplified dimensional drawing does not show all details.

**97775328 SOLOLIFT2 D-2 50 Hz**



Note! All units are in [mm] unless others are stated.