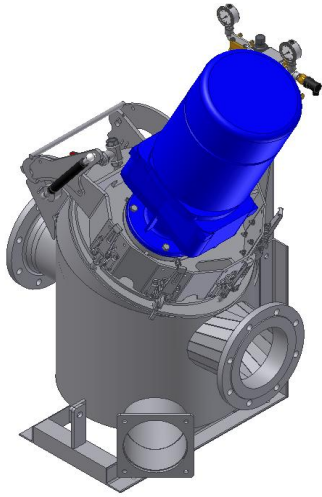
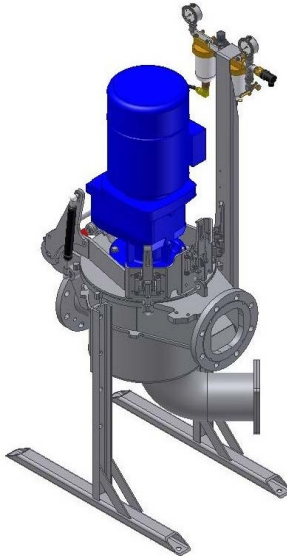


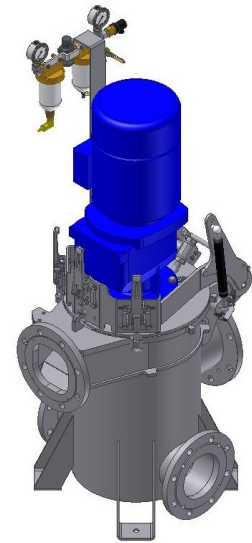
RotaCut™



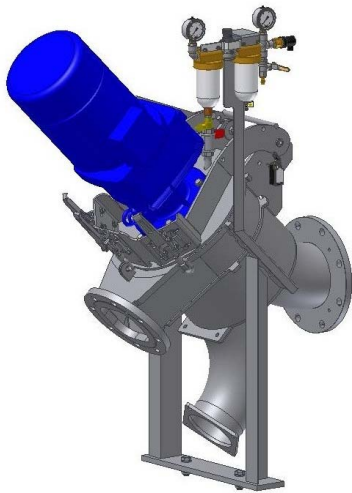
RotaCut™ Inline
(1500/3000/5000/10000)



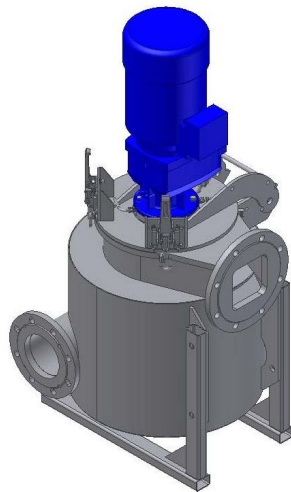
RotaCut™ pro Compact
(5000/10000)



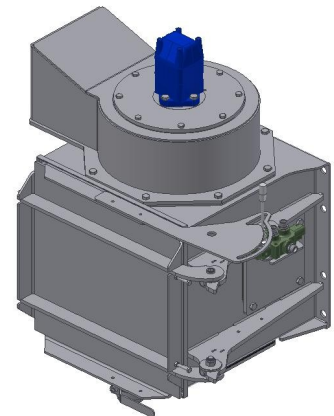
RotaCut™ pro Compact XL
(5000/10000)



RotaCut™ BioCut
(5000/10000)



RotaCut™ Cyclone
(3000/5000/10000)



RotaCut™ MXL
(3000/5000/10000)

Specifications

RotaCut™ type	RCX-20G	3000	5000	10000
Nominal rotational speed [min ⁻¹]	87-318	76-318	76-327	66-373
Nominal power [kW]	1.1-2.2	1.5-2.2	1.5-5.5	2.2-9.2
Max. flow rate [m ³ /h]	90	180	300	600
Max. free passage [mm]	15	20	24	34
Flow area [cm ²]	172	266	465	908
Connector flange [DIN]	DN 100	DN 125	DN 150	DN 200
Connector flange [in]	-	6", DN 150	8", DN 200	8", DN 200
Cleaning port	6", DN 150	6", DN 150	8", DN 200	8", DN 200
max. pressure [bar]	2	0.5-3	0.5-3	0.5-3