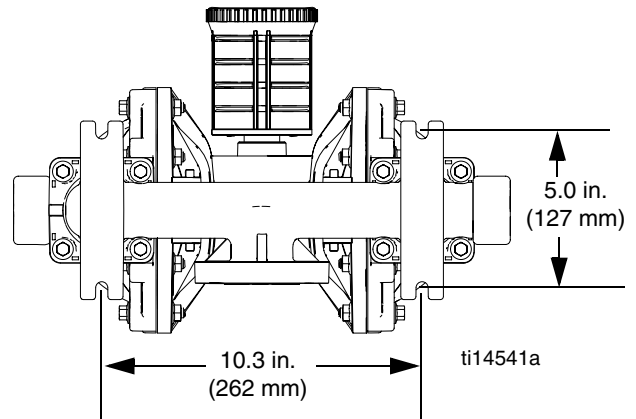
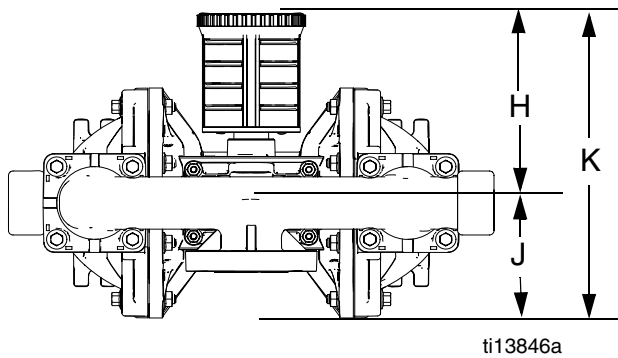
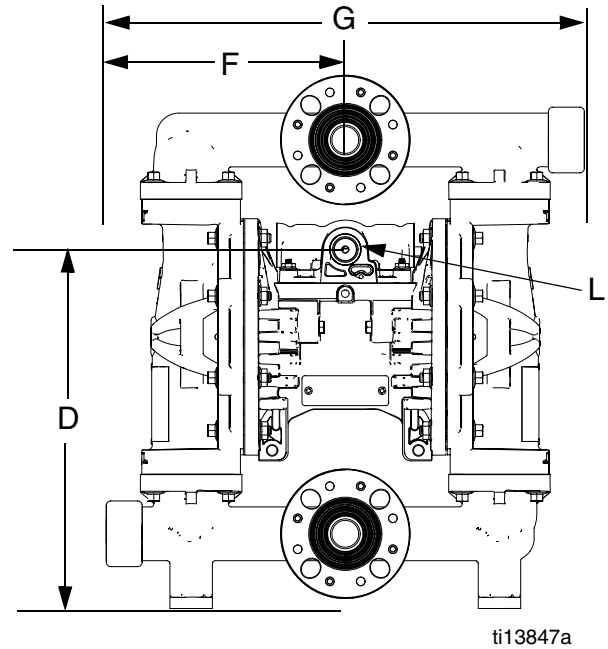
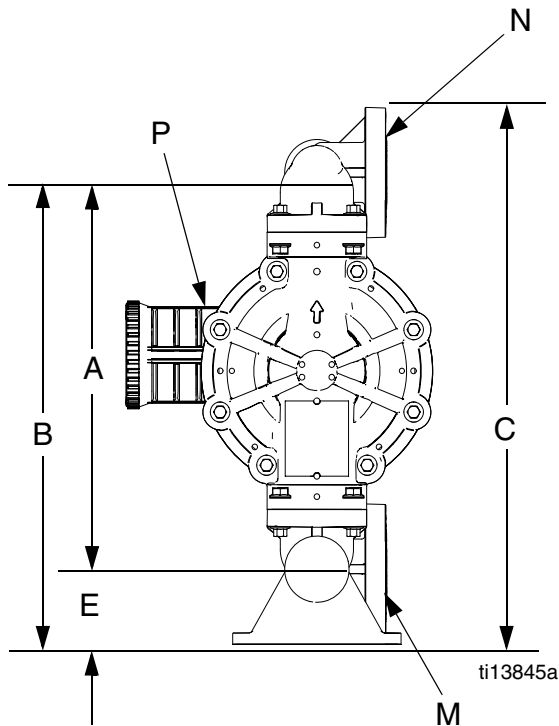


Polypropylene (1050P) and Conductive Polypropylene (1050C)

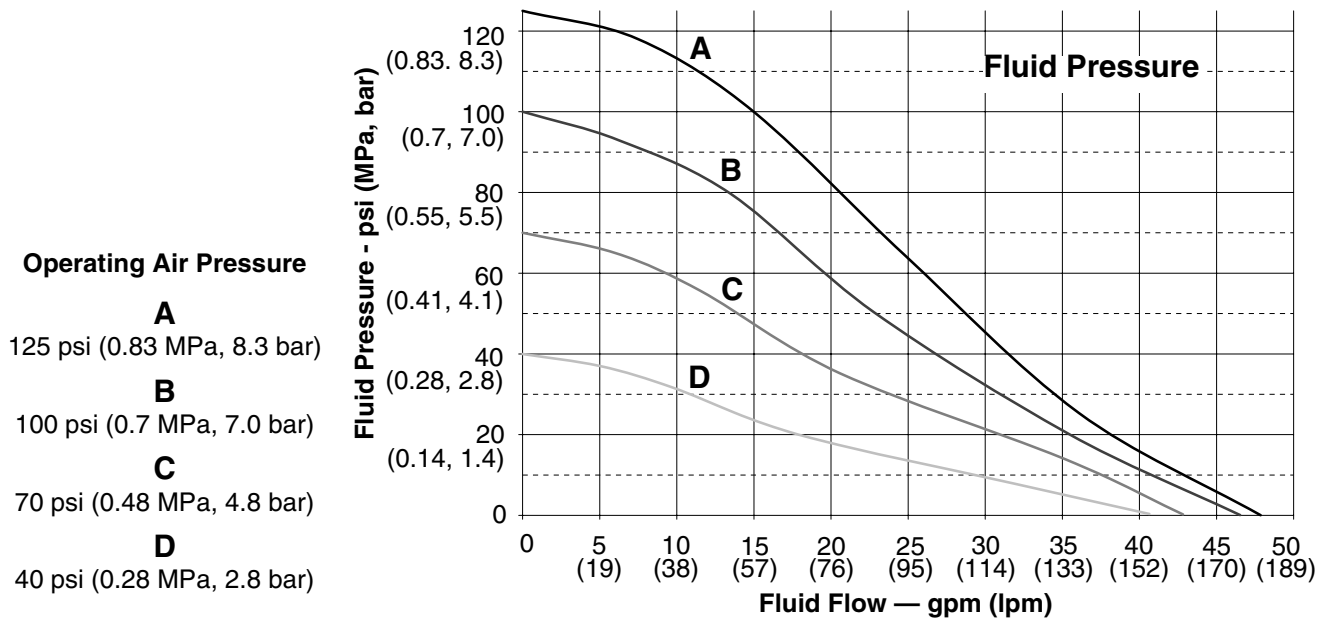


- A 13.2 in. (335 mm)
- B 15.7 in. (399 mm)
- C 17.8 in. (452 mm)
- D 12.0 in. (305 mm)
- E 2.5 in. (63.5 mm)
- F..... 8.0 in. (203 mm)
- G..... Center Flange: 16.0 in. (406 mm)**
End Flange: 15.2 in. (386 mm)
- H 5.6 in. (142 mm)

- J 3.9 in. (99 mm)
- K..... 9.6 in. (244 mm)
- L..... 1/2 npt(f) air inlet
- M ... 1 in. ANSI/DIN flange
- N..... 1 in. ANSI/DIN flange
- P..... 3/4 npt(f) air exhaust port

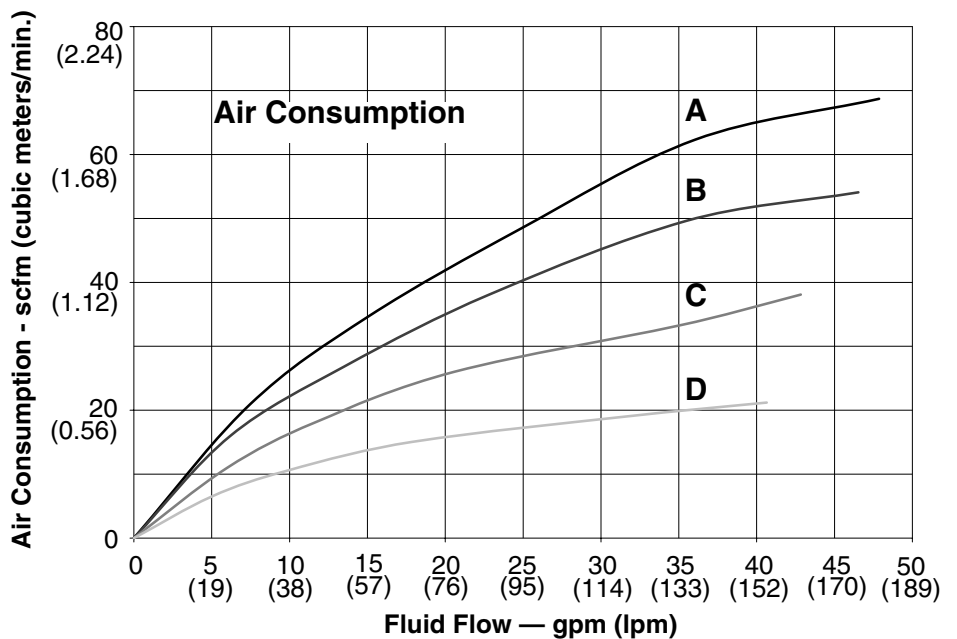
Performance Charts

Test Conditions: Pump tested in water with inlet submerged.



How to Read the Charts

1. Locate fluid flow rate along bottom of chart.
2. Follow vertical line up to intersection with selected operating air pressure curve.
3. Follow left to scale to read **fluid outlet pressure** (top chart) or **air consumption** (bottom chart).



Technical Data

Maximum fluid working pressure	125 psi (0.86 MPa, 8.6 bar)
Air pressure operating range	20-125 psi (0.14-0.86 MPa, 1.4-8.6 bar)
Maximum air consumption	67 scfm
Air consumption at 70 psi (0.48 MPa, 4.8 bar), 20 gpm (76 lpm)	25 scfm
Maximum free-flow delivery	50 gpm (189 lpm)
Maximum pump speed	280 cpm
Fluid displacement per cycle	0.17 gal. (0.64 liters)
Maximum suction lift	16 ft (4.9 m) dry, 29 ft (8.8 m) wet
Maximum size pumpable solids	1/8 in. (3.2 mm)
Sound Power*	
at 70 psi (0.48 MPa, 4.8 bar) and 50 cpm	78 dBa
at 100 psi (0.7 MPa, 7.0 bar) and full flow	90 dBa
Sound Pressure**	
at 70 psi (0.48 MPa, 4.8 bar) and 50 cpm	84 dBa
at 100 psi (0.7 MPa, 7.0 bar) and full flow	96 dBa
Operating temperature range	see page 23
Air inlet size	1/2 npt(f)
Fluid inlet size	
Aluminum (1050A)	1 in. npt(f) or 1 in. bspt
Plastic (1050P and 1050C)	1 in. raised face ANSI/DIN flange
Stainless Steel (1050S)	1 in. npt(f) or 1 in. bspt
Fluid outlet size	
Aluminum (1050A)	1 in. npt(f) or 1 in. bspt
Plastic (1050P and 1050C)	1 in. raised face ANSI/DIN flange
Stainless Steel (1050S)	1 in. npt(f) or 1 in. bspt
Weight	
Aluminum (1050A)	23 lb. (10.5 kg)
Plastic (1050P and 1050C)	18 lb. (8.2 kg)
Stainless Steel (1050S)	
with conductive polypropylene center	36.3 lb. (16.5 kg)
with polypropylene center	37.3 lb. (16.9 kg)
with aluminum center	41.4 lb. (18.8 kg)
Wetted parts	
Aluminum (1050A)	aluminum and material(s) chosen for seat, ball, and diaphragm options
Plastic (1050P and 1050C)	polypropylene and material(s) chosen for seat, ball, and diaphragm options
Stainless Steel (1050S)	stainless steel and material(s) chosen for seat, ball, and diaphragm options
Non-wetted external parts	
Aluminum (1050A)	aluminum, coated carbon steel
Plastic (1050P and 1050C)	stainless steel, polypropylene
Stainless Steel (1050S)	stainless steel, polypropylene or aluminum (if used in center section)

* Sound power measured per ISO-9614-2.

** Sound pressure was tested 3.28 ft (1 m) from equipment.

All trademarks mentioned in this manual are the property of their respective owners.